

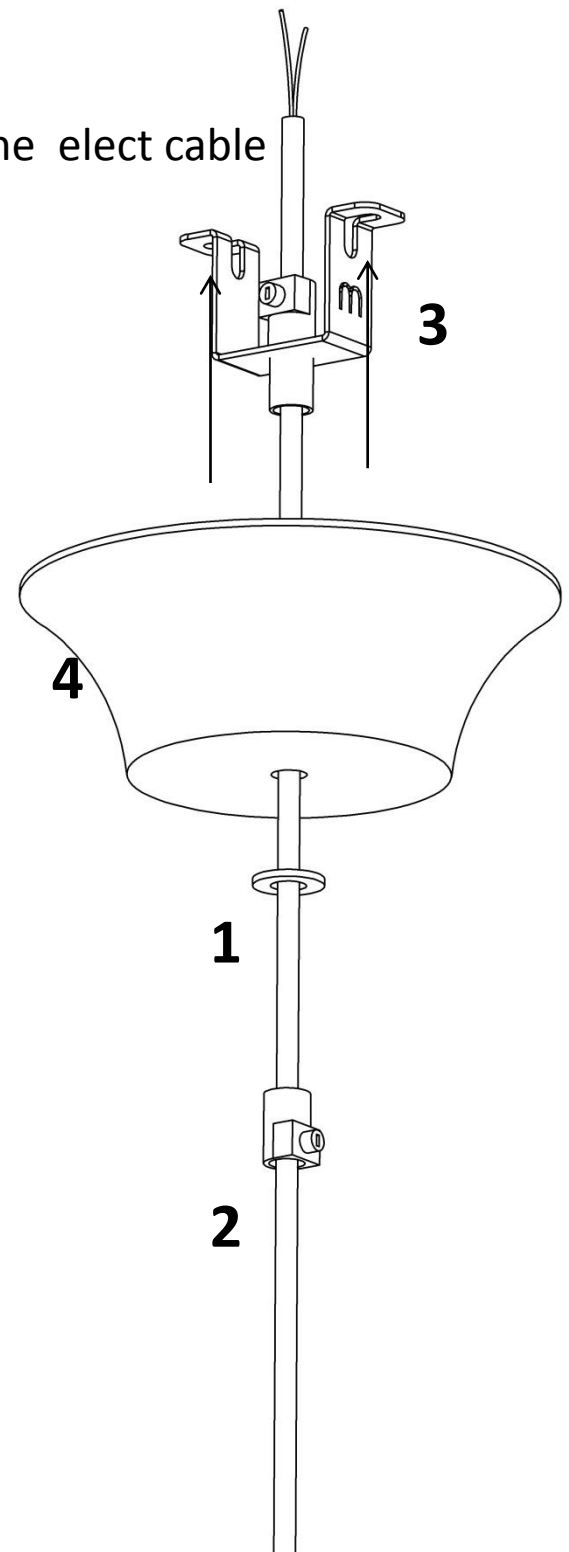
important: Please read instructions carefully before installation.
The lamp assembly and electrical work should be carried out by a qualified electrician.

1. Attach part number **3** with 2 screws to the ceiling.

2. Insert the hanger (**4**) + part **2** + **3** through the elect cable

3. Insert the cable through part number **3**
Set the lamp height.
Connect the wires, tighten the screw.

4. Lift part number 4 to the ceiling.
Screw parts 1 + 2



Bulbs: E27 15W MAX X1
2700K

Enjoy and thank you
MABUA