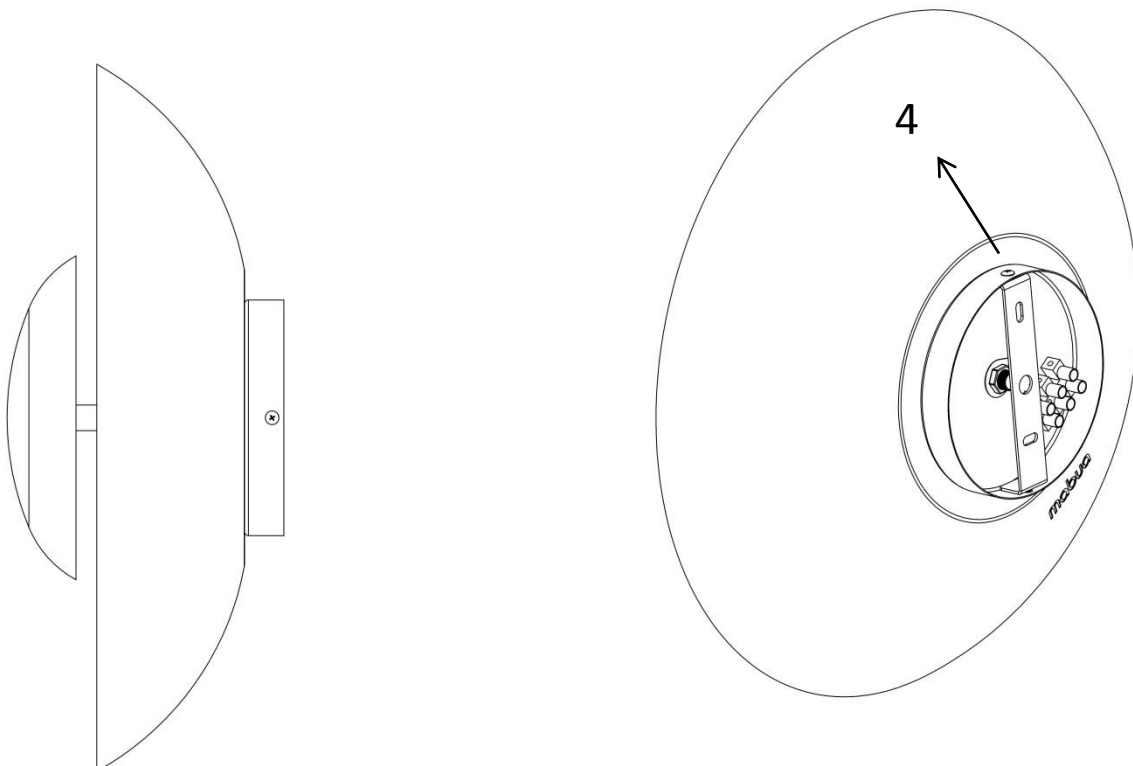
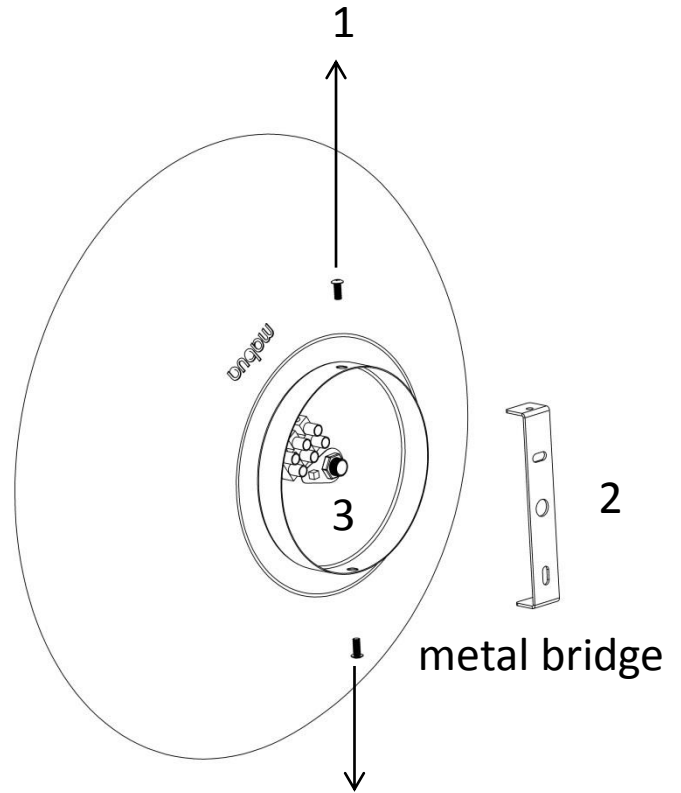


important: Please read instructions carefully before installation.
The lamp assembly and electrical work should be carried out by a qualified electrician.

1. Unscrew the 2 screws.
2. Install the metal bridge to the wall.
3. Connect the voltage supply wire (from the wall) to the main rod.
4. Screw back the screws



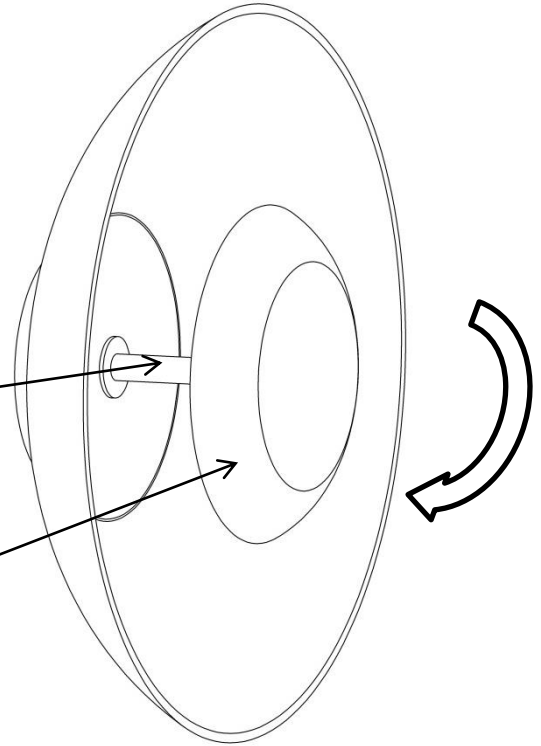
Replacing bulbs

Make sure the power is **off**

1. Hold the center tube with one hand with the other hand rotate the center counterclockwise.

one hand

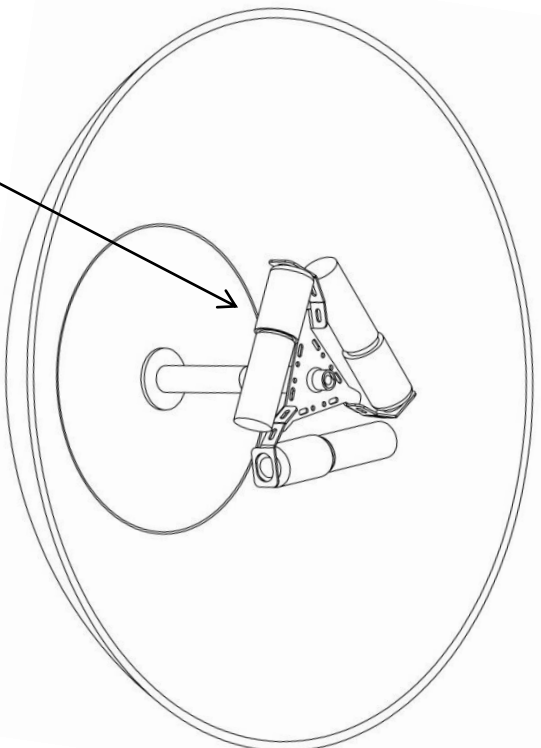
Other hand
counterclockwise



2. Remove the bulb and replace with a new one.
Hold the bulb socket with one hand and with the other pull the bulb gently.

Rotate the center clockwise.
Balance it gently so that it is parallel to the large bowl.

3. Bulbs: G9 8W MAX X3
2700-3000K



Enjoy and thank you
MABUA

