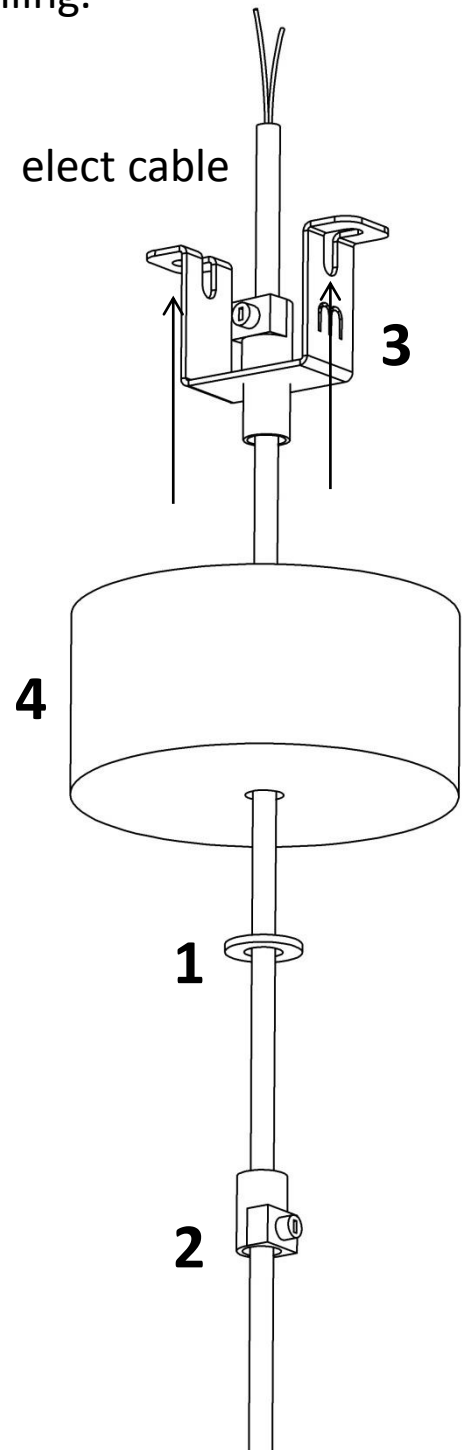


important: Please read instructions carefully before installation.
The lamp assembly and electrical work should be carried out by a qualified electrician.

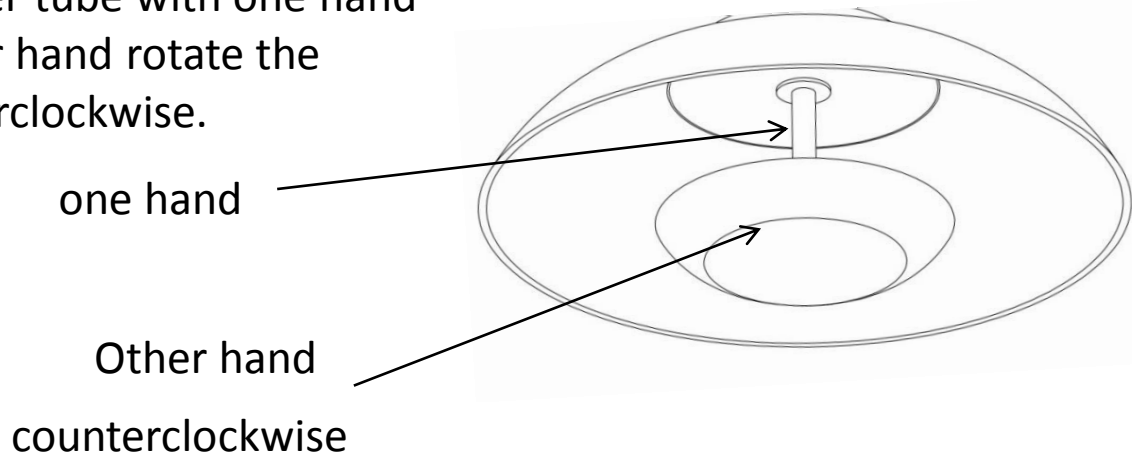
1. Attach part number **3** with 2 screws to the ceiling.
2. Insert the hanger (**4**) + part **2** + **3** through the elect cable
3. Insert the cable through part number **3**
Set the lamp height.
Connect the wires, tighten the screw.
4. Lift part number 4 to the ceiling.
Screw parts 1 + 2



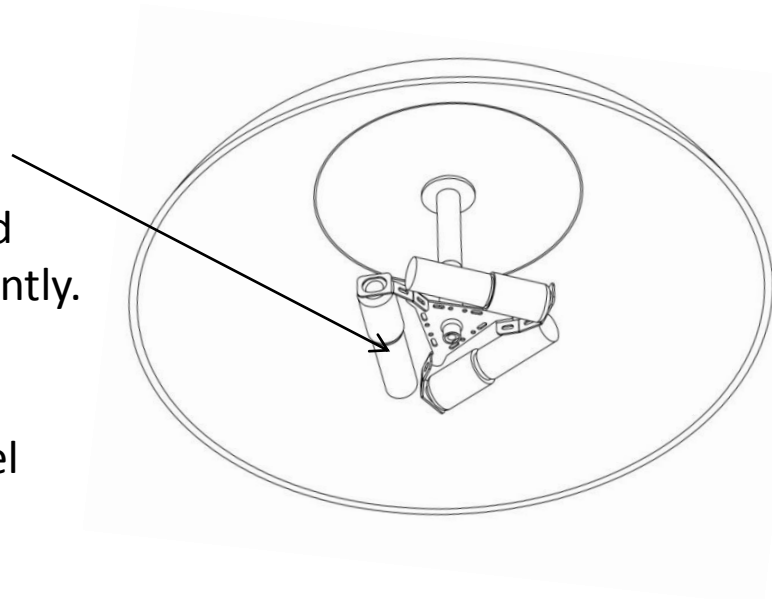
Replacing bulbs

Make sure the power is **off**

1. Hold the center tube with one hand with the other hand rotate the center counterclockwise.



2. Remove the bulb and replace with a new one.
Hold the bulb socket with one hand and with the other pull the bulb gently.



Rotate the center clockwise.
Balance it gently so that it is parallel to the large bowl.

3. Bulbs: G9 8W MAX X3
2700-3000K

Enjoy and thank you
MABUA