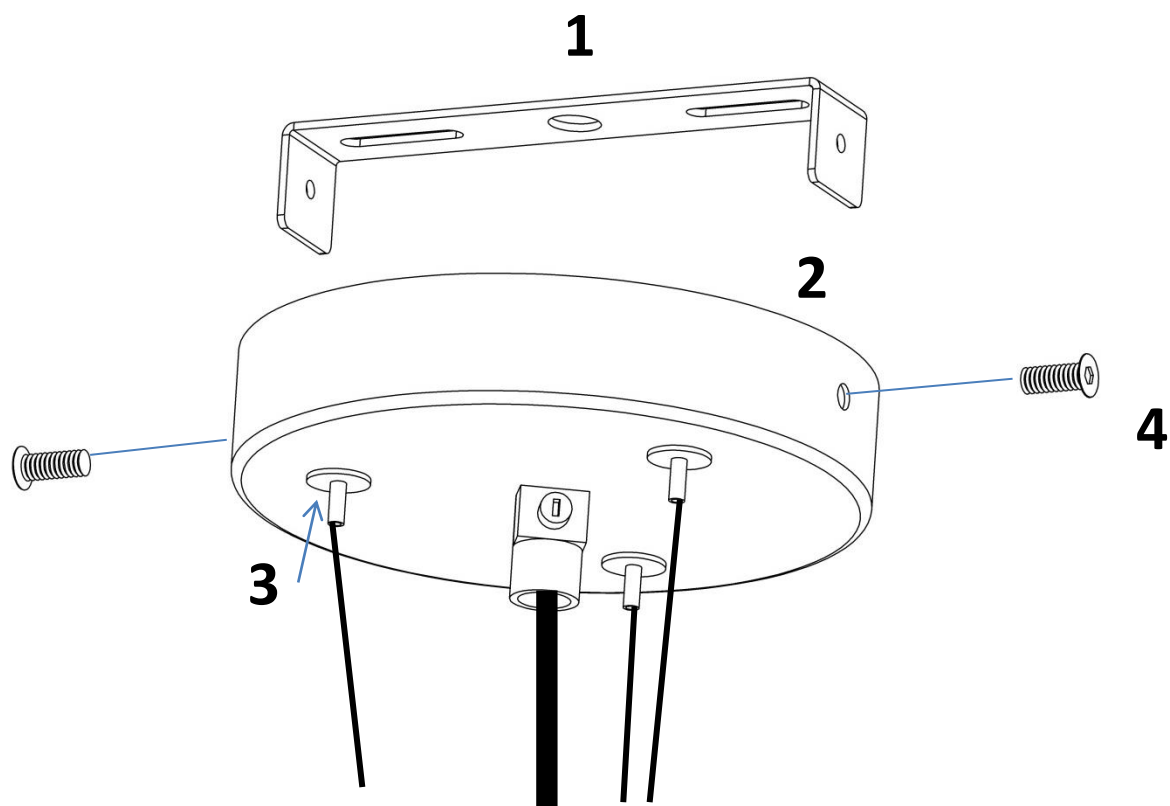


**important: Please read instructions carefully before installation.**  
*The lamp assembly and electrical work should be carried out by a qualified electrician.*

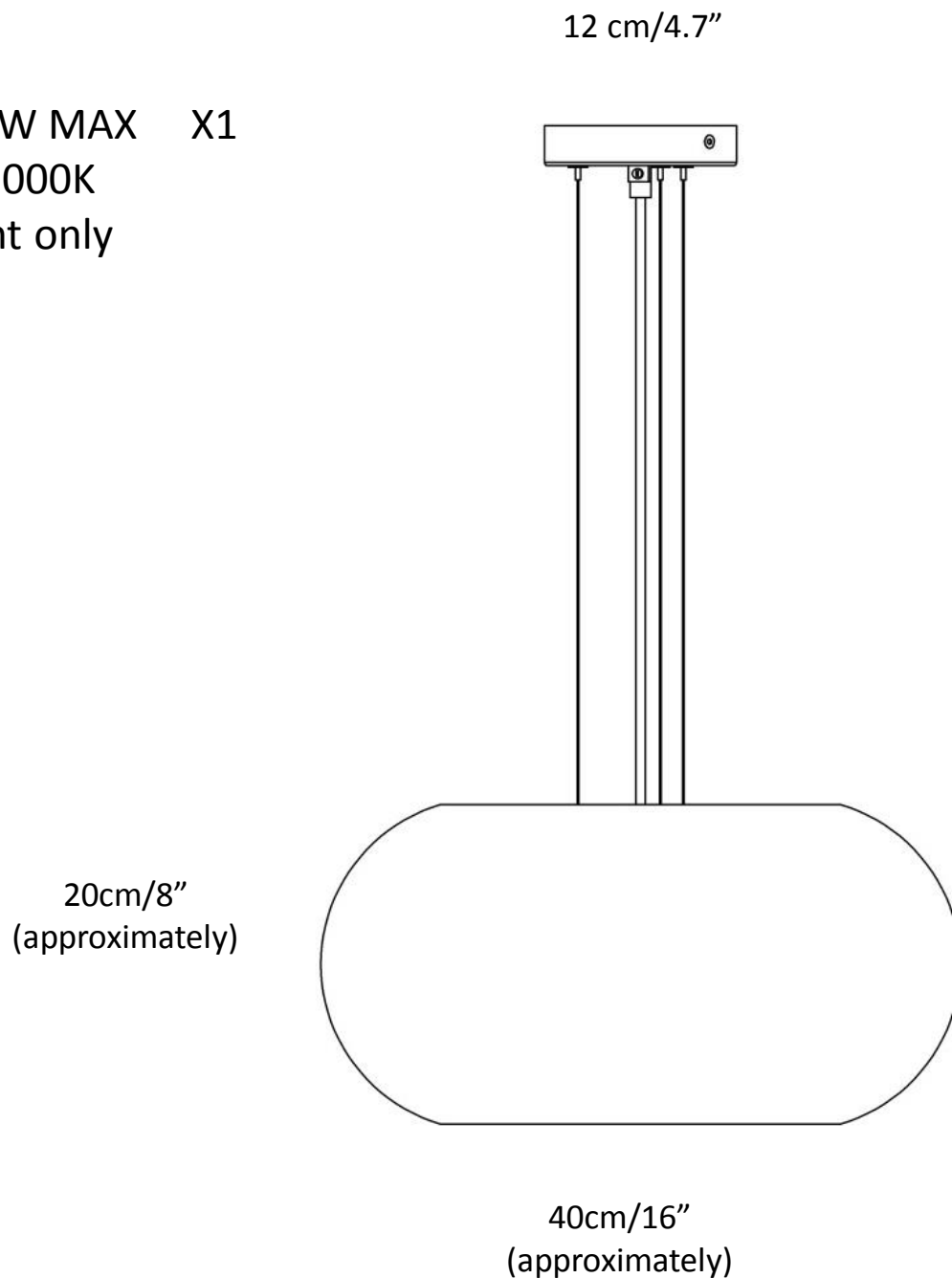
1. Attach part number **1** with 2 screws to the ceiling
2. Insert the Elect cable and the 3 hanging cables number **3** through part number **2**

Set the lamp height

3. Connect the wires from the lampshade to the wires in the ceiling  
Adjust the height of the lampshade  
Push the metal cable toward the ceiling and it will lock  
Push the pin up and pull the cable. The cable will pull down
4. Connect the 2 screws from both sides number **4**.



Bulbs: E27/26 25W MAX X1  
2700-3000K  
LED light only



Enjoy and thank you  
MABUA