

# INSTALLATION MANUAL

62148D

ecolight



CE

RoHS  
COMPLIANT



NOT  
DIMMABLE

910mm

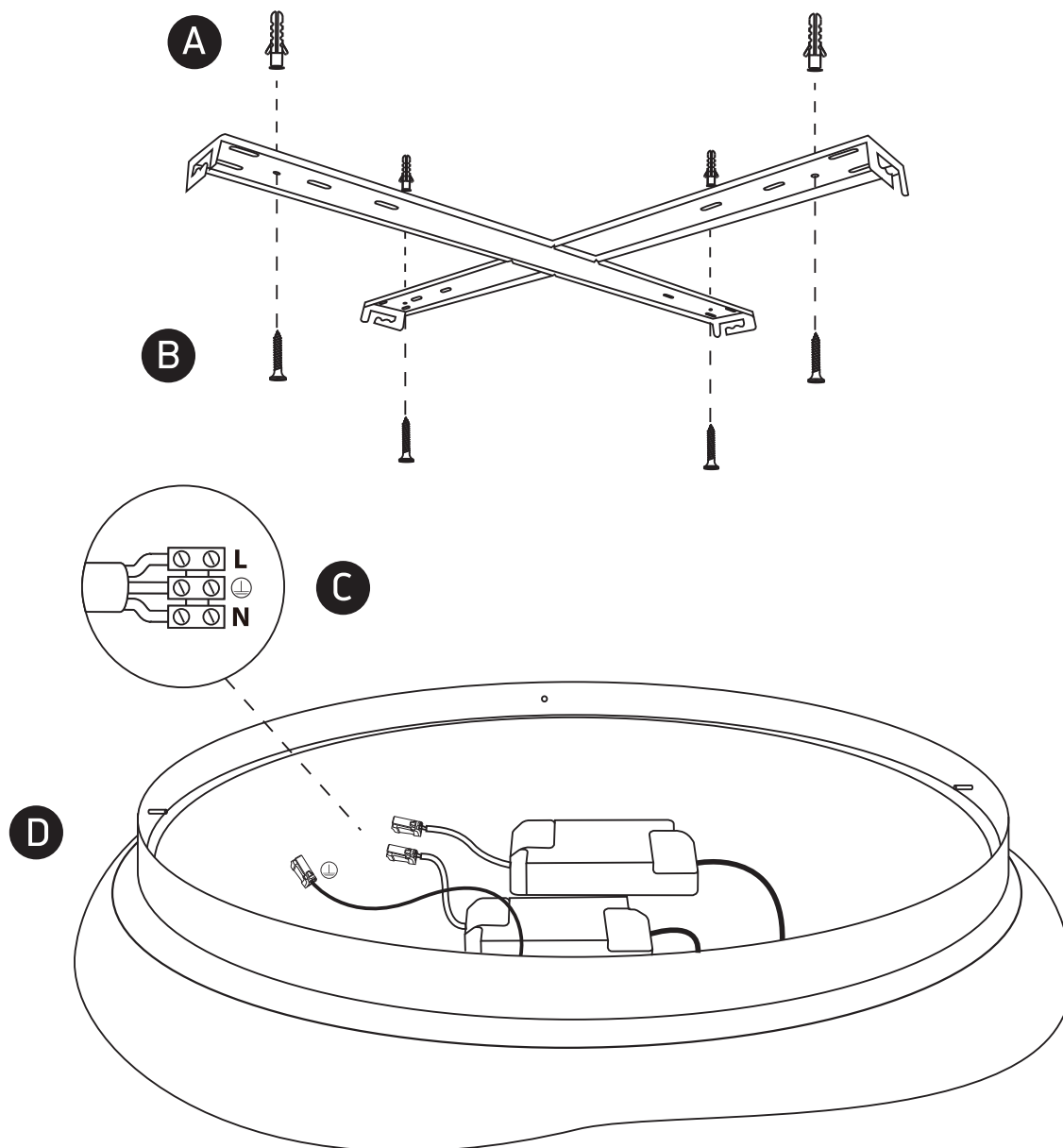


230V | SMD 2835 | 108W | IP20 | Metal base + PC

Complete with 1300mA drivers.

80  
CRI

one  
LIGHT



## Warnings:

1. Fix the base on the ceiling.
2. Make sure that the product is installed properly before connecting to electricity.
3. Connect the AC power cable to the driver's cable as shown in the above diagram.
4. Do not cover the fitting.
5. Maintenance and installation should only be carried out by a professional electrician.