

INSTALLATION MANUAL

62140FB, 62160FB

LED
BUILT IN

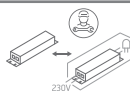


CE EAC UK CA

RoHS
COMPLIANT



90
CRI



62140FB: 230V | SMD 2835 | 40W | IP20 | Aluminium

62160FB: 230V | SMD 2835 | 60W | IP20 | Aluminium

395mm



43mm

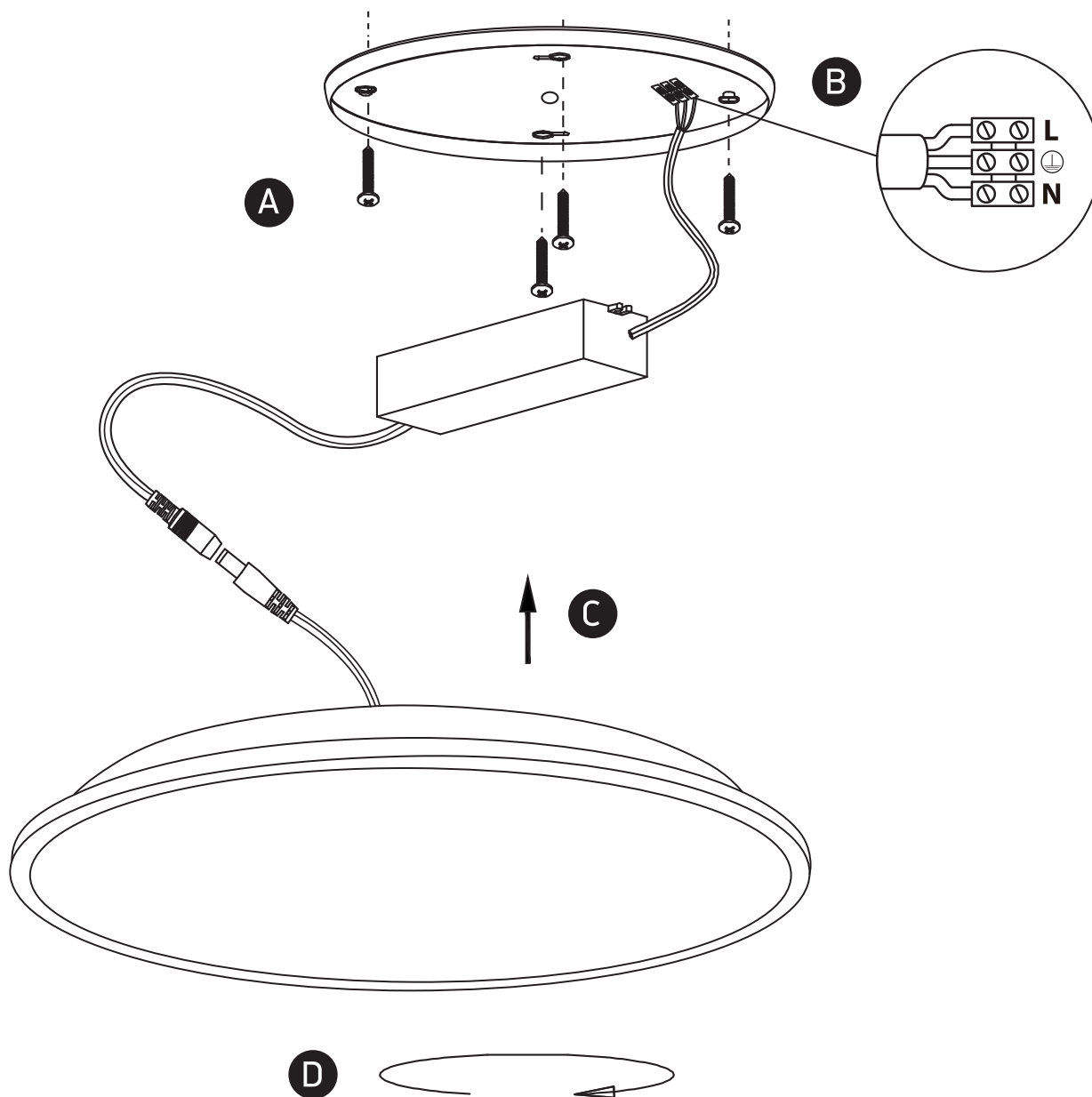
585mm



43mm

one
LIGHT

Complete with driver.



Warnings:

1. Fix the base on the ceiling.
2. Make sure that the product is installed properly before connecting to electricity.
3. Connect the AC power cable to the driver's cable as shown in the above diagram.
4. Do not cover the fitting.
5. Maintenance and installation should only be carried out by a professional electrician.