



Ver. RH-WT-2021B



Important!

Make sure to manually spin the fan wheel to check if it's running without any obstacles before the test run.

If the fan wheel is unbalanced or in contact with the casing, refer to Page 11 for how to re-seat the fan wheel.



OWNER'S MANUAL
Range Hood

RH-WT Wall Mounted Series



HOW TO TEST RUN

Steps To Test Run Before Installation

IMPORTANT!

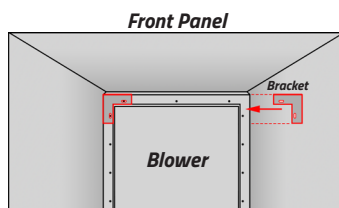
Wear gloves to protect against sharp edges.

PLEASE FOLLOW THESE INSTRUCTIONS TO TEST THE RANGE HOOD BEFORE INSTALLATION FOR ANY DEFECTS OR SHIPPING DAMAGE:

1. This range hood model is packed in 2 packages. Take out the range hood and its accessories from both packages carefully.
2. Place the range hood on a flat stable surface, remove the baffle filter and check for any dents or damages on the range hood body.
3. Remove the loosen parts if there's any.
4. Assemble the Blower portion to the Hood Body, and connect the motor's wiring to the Control Panel's Cable.
5. Plug the range hood into a 120V AC power source. Press the power button once and then any of the speed buttons to turn it on.
6. Check each speed variation and pay attention to the noise level to make sure there isn't any unusual noise besides it coming from the wind blowing. Press the Light Button to check the lights.
7. Verify all functions, as instructed in Page 9, are working properly.
8. Refer to Range Hood Troubleshooting in Page 11 for general issues and solutions.

Assembling the 36" RH-WT-36 Model

- The **36" model** is packed in 2 packages. Please assemble both portions of the hood using the supplied **Corner Brackets** and **Screws** from inside the hood body before installing the range hood (See diagram below).



Internal View of the Hood, from the Hood Bottom to the Top

How to install the Bracket:

1. Align the Bracket to the corner.
2. Insert and tighten the screws.

Please read all instructions carefully before proceeding further to prevent the risk of fire, electric shock, personal injury or damage to the range hood. This manual provides a general insight on the installation and may not include solutions for all possible issues that may occur.

In case of this manual destroyed or lost, please visit <https://www.awoco.com> and download a digital version.

Installation Overview

1. Unpack the range hood and check for any physical damage on the body.
2. Test run the range hood and check if all functions are working properly. Refer to Page 9 for functionalities.

DO NOT install the range hood if it's defective. Contact the seller immediately.

3. If all is fine, install the range hood as instructed in this manual. Refer to Page 7.
4. Test run the range hood again when the installation is finished. Refer to Page 11 for troubleshooting.

Possible Tools Needed:

- Marker / Pencil;
- Jig Saw or Reciprocating Saw;
- Screwdrivers or Power Drill;
- Level;
- Measuring Tape;
- Knife;
- Duct / Foil Tape;
- Screws.

2 PEOPLE ARE REQUIRED FOR THE INSTALLATION.

Table of Contents

Important Safety Instructions	4
Installation Preparations	5
Venting Requirements	5
Venting System Setup	5
Duct Run Minimum Size	6
Electrical Requirement	6
Installation	7
Installing the Range Hood	7
Connecting the Vent System	8
Electrical Connection	8
Installing the Baffle Filters	8
Completing the Installation	8
Range Hood Use	9
Range Hood Control Panel	9
Range Hood Care	10
Clean the Exterior Surfaces	10
Clean or Replace the Baffle Filters	10
Replace the LED Lamps	10
Range Hood Troubleshooting	11
Warranty	13

IMPORTANT SAFETY INSTRUCTIONS

TO REDUCE THE RISK OF FIRE, ELECTRIC SHOCK OR PERSONAL INJURY, PLEASE READ THE FOLLOWING CAREFULLY BEFORE ATTEMPTING TO ASSEMBLE, INSTALL, OPERATE OR MAINTAIN THE RANGE HOOD:

- Always disconnect, lock and tag the power source before installing or servicing the range hood. Failure to do so may result in fire, shock or serious injury.
- Installation and electrical wiring must be done by qualified technician(s) in accordance with all applicable codes and standards, including fire-rated construction.
- When cutting or drilling into walls or ceilings, please be careful not to damage any electrical wirings and other hidden utilities.
- Verify and ensure the rated voltage and frequency of the range hood is in compliance with the nearby power source.
- Always unplug the range hood from the power source before cleaning it.
- Use the range hood only as directed in this manual. Do not use it to vent hazardous or explosive materials or vapors.
- Clean the baffle filters regularly to prevent it become blocked or clogged. Good air flow is essential for the range hood to work properly.
- Do not install, repair or replace any parts of the range hood unless you are instructed to do so by the manufacturer.
- Do not tamper with or modify the PCB.
- This range hood model requires a duct to vent the air outside. Do not vent the air into spaces within walls, ceilings, attics, crawl spaces or garages.

TO REDUCE THE RISK OF A RANGE TOP GREASE FIRE:

- Never leave surface units unattended at high settings. Boilovers cause smoking and greasy

spillovers that may ignite. Heat oils slowly on low or medium settings.

- Always turn the hood ON when cooking at high heat or when flambeing food (i.e. Crepes Suzette, Cherries Jubilee, Peppercorn Beef Flambé).
- Clean ventilating fans frequently. Grease should not be allowed to accumulate on the fan or filter.
- Use proper pan sizes. Always use cookware appropriate for the size of the surface element.

TO REDUCE THE RISK OF INJURY TO PERSONS IN THE EVENT OF A RANGE TOP GREASE FIRE:

- **SMOTHER FLAMES** with a close-fitting lid, cookie sheet or metal tray, then turn off the burner. **BE CAREFUL TO PREVENT BURNS.** If the flames do not go out immediately, **EVACUATE AND CALL THE FIRE DEPARTMENT.**
- **NEVER PICK UP A FLAMING PAN** - you may be burned.
- **DO NOT USE WATER**, including wet dish cloths or towels - a violent steam explosion may result.
- Use a fire extinguisher **ONLY** if:
 - You have a Class ABC extinguisher, and you already know how to operate it.
 - The fire is small and contained in the area where it started.
 - The fire department is being called.
 - You can fight the fire with your back to an exit.

TO REDUCE THE RISK OF PERSONAL INJURY IN THE EVENT OF A GAS LEAK:

- Extinguish any open flame.
- **DO NOT** turn on the lights or any type of appliance.
- Open all doors and windows to disperse the gas. If you still smell the gas, call the gas company, fire department, or 911 immediately.

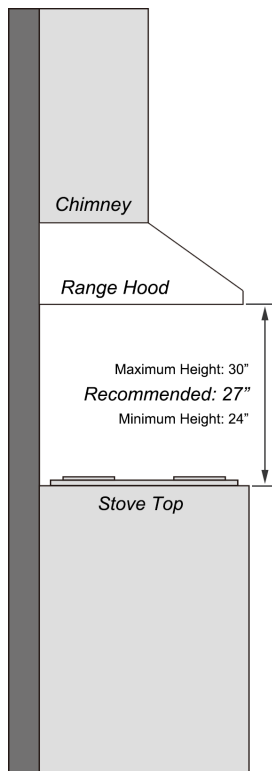
Read and Save These Instructions

INSTALLATION PREPARATIONS

Venting Requirements

DO

- Have the venting system go vertically from the range hood to the roof if possible.
- Have 24"-30" distance between the cooktop and the range hood. 27" is recommended.
- Use uniform duct of 6" round duct or 3-1/4 x 10" rectangular duct or larger.
- Use metal vent only. Rigid metal vent is recommended. Semi-rigid aluminum vent is also acceptable for easy connection.
- Make sure there is a minimum of 24" of straight vent between the elbows if more than 1 elbow is used.
- Use minimal numbers of elbows and the shortest route for the venting system for a better performance.
- Use silver tap or duct tap to seal all joints in the venting system.
- Use caulking silicone to seal exterior wall or roof opening around the cap.
- Always keep the duct clean to ensure proper airflow.



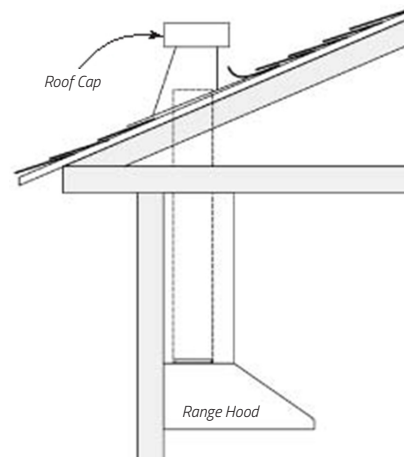
DO NOT

- End the venting system in an enclosed area indoors.
- Use plastic vent.
- Use no more than three 90° elbows.
- Install 2 elbows together.
- Install the range hood outside of the recommended height.
- Reduce the duct size below the recommended size.

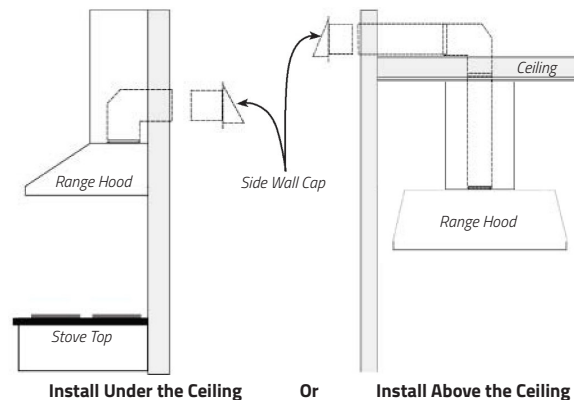
Venting System Setup:

- This range hood is 6" top venting through the roof or wall.

Vertical Venting Roof Exhaust



Horizontal Venting Wall Exhaust



INSTALLATION PREPARATIONS

IMPORTANT!

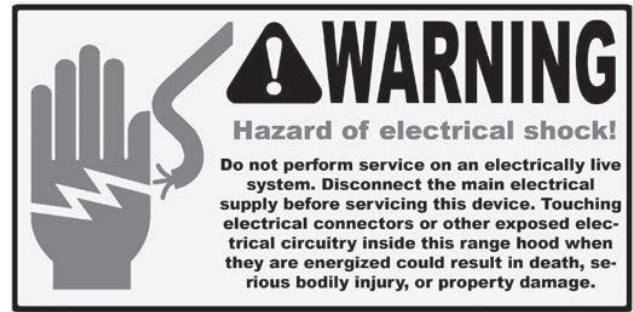
- If long duct run is needed, increase the duct size from 6" to 7" or 8" to 9".
- If a reducer is needed, use a long reducer instead of a pancake reducer and install it as far away from the range hood as possible. Reducing the duct size will restrict and decrease the speed of the airflow and hence lower the range hood's performance.
- If transitions or turns are needed, install them as far away from the range hood as possible and keep the distance between the 2 as far apart as possible.
- The minimum mounting height should be no less than 24" and the maximum mounting height should be no more than 30".
- Also refer to the owner's manual of the stove top for the height clearance requirement and the recommended mounting height above the range.

Note

- *It is important to install the range hood at the proper mounting height. Hoods mounted too low could result in heat damage and fire hazard while hoods mounted too high will be out of reach and hence reduce its performance and efficiency.*

Minimum Duct Size:

- Round: 6" minimum.
- Rectangular: 3-1/4" x 10" minimum.



IMPORTANT!

Observe all governing codes and ordinances.

It is the customer's responsibility:

- To contact a qualified electrical installer;
- To ensure that the electrical installation is in compliance with applicable codes and standards.

Electrical Requirements:

- A 120V, 60Hz., AC only, 15A fused electrical circuit is required.
- Wire sizes and connections must conform with the power rating of the range hood and all applicable codes and standards.
- DO NOT have a fuse in the neutral or ground circuit.
- The 3-prong outlet should be grounded. If the power cord plug is not used, the power cord's green wire should be connected to ground. Check with a qualified electrician if you are not sure that the range hood is properly grounded.
- DO NOT ground to a gas pipe.
- The range hood must be connected with copper wire/plug only.
- The range hood should be connected directly to the fused disconnect box (or circuit breaker) through flexible armored or non-metallic sheathed copper cable. ETL listed strain relief must be provided at each end of the power supply cable.

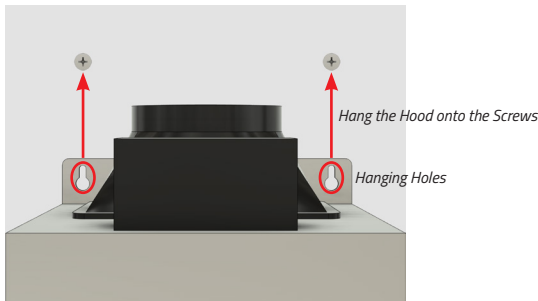
INSTALLATION

Installing the Range Hood

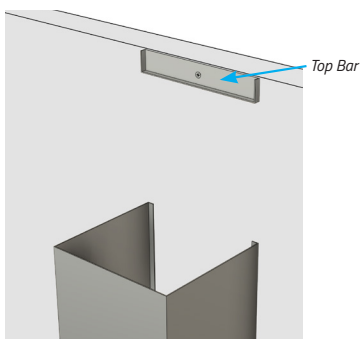
- Determine how high you want to install your range hood above the stove top and draw a horizontal line with a pencil. 24" to 30" Height is recommended.

The following steps requires 2 or more people:

- Remove the **Baffle Filters** to reduce the weight for installation.
- Raise the **Hood Body** so that the bottom of the **Body** is leveled with the pencil line.
- Mark the locations of the **Hanging Holes** on the wall with a pencil.
- Put down the **Hood Body**, align the screws with the marked locations and drive them into the wall, with a small portion of the screws remain outside of the wall.
- Raise the **Hood Body** and hang it onto the screws on the wall.

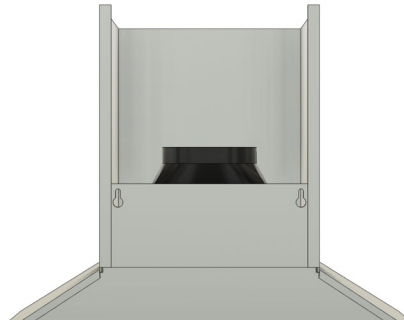


- Align and install the **Top Bar** close to the **Ceiling**. Make sure that the **Top Bar** is inline with the bottom half of the **Chimney** and its height isn't exceeding the maximum height of the **Chimney**.



- Connect the Duct to the Adaptor on the Hood Body and seal the connection with foil tape or duct tape.

- Install the **bottom half of the Chimney** to the **Hood Body**.



- Insert the top half of the **Chimney** into the bottom half.



- Extend the top half of the **Chimney** till it reaches the **Top Bar**.
- Install the top half of the **Chimney** to the **Top Bar** with **2 screws** each on the **left and right sides of the Chimney**.



INSTALLATION

- Use a **Stud Finder** to locate **2 Studs** within the width of the **Hood Body**. **Drill** 4 new holes on the backplate, aligning with the **Studs**, and screw in 4 screws to securely **mount** the **Range Hood** to the **Wall**.



CAUTION

Make sure the range hood is securely mounted before releasing.

- Connect the other end of the Duct to the Roof / Wall Vent.
- Use foil tape or duct tape to seal all connections

Electrical Connection

- This range hood comes with a power cord with a 3-prong plug. Connect the power cord to a designated grounded standard 110V outlet.

WARNING

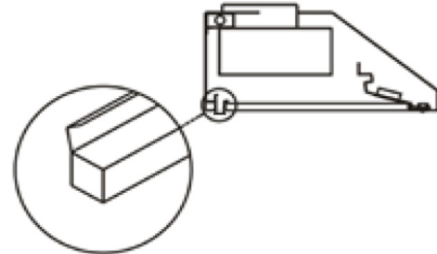
Electrical Shock Hazard

Disconnect power before servicing

- In case of a direct connection to the house wiring is preferred, do the following:
 - Disconnect the power.
 - Cut off the plug from the power cord.
 - Connect the wires from the power cord to the wires from the house wiring using UL listed wire connectors.
 - Store the excess wires in the wiring box.
 - Reconnect the power.

Installing the Oil Collector

- Locate the recess support in the bottom, near the rear of the range hood.
- Fit the oil tunnel / container into the recess support.



Installing the Baffle Filters

- Peel off the protective cover from the baffle filters if there's any.
- Level the baffle filter horizontally with the correct front and back direction.
- Raise the back end of the baffle filter so that the back end is higher than the front end.
- Keep the tilted angle and move the baffle filter towards the back of the range hood until it reaches the backplate. (Figure 1)

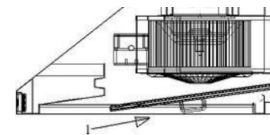


Figure 1

- Push the front end of the baffle filter up while keeping the back end stationary. (Step 2 in Figure 2)
- Slide the baffle filter towards the front end until it fits into the slot behind the LCD display. (Step 3 in Figure 2)

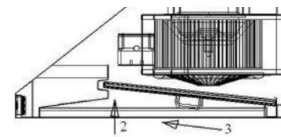


Figure 2

- Repeat these steps to install the rest of the baffle filters.

Completing the Installation

Turn blower ON in the control panel. Check all lights and fan operations.

RANGE HOOD USE

Range Hood Control Panel



Remote Control Sensor

- The **Remote Control Sensor** receives infrared (IR) signal from the remote control.
- The maximum distance for IR data transmission is 10 feet and requires direct line of sight.
 - *The transmission distance may vary depending on the room temperature and the condition of the battery in the remote control.*

Delayed Auto Shut-Off

- When the hood is operating in any speed, touch the this button once will activate the **Delayed Auto Shut Off** function.
- Touch the **Speed (-) or Speed (+)** button to adjust the duration of the countdown timer.
 - *The timer can be adjusted between 1 minute to 15 minutes using the **Speed (-) or Speed (+)** button. (1 minute by default.)*
 - *The **Delayed Auto Shut Off** Indicator will be illuminated in the **LCD Display** once the timer is set and counting.*
 - *The timer will start immediately once it's set. When it reaches 0, the **Range Hood** and the **Light** will be turned off automatically.*

Clock / Current Time Display

- When the **Delayed Auto Shut Off** function is **not activated**, the **LCD Display** will show the current time of the day.

THE CLOCK CAN ONLY BE SET WHILE THE BLOWER IS OFF.

- To set the Clock:
 - *Touch the **Delayed Auto Shut Off** button once. The hour indicator will flash.*
 - *Touch the **Speed (-) or Speed (+)** button to adjust to the desired hours.*
 - *When done setting the hour, touch the **Delayed Auto Shut Off** button again. The minute indicator will flash.*
 - *Touch the **Speed (-) or Speed (+)** button to adjust to the desired minutes.*
 - *When done setting the minutes, touch the **Delayed Auto Shut Off** button to confirm all settings.*

- *Touch the **Light** button to check and validate the time.*
- When the **Delayed Auto Shut Off** function is activated while the blower is running, a countdown timer will show up in the **LCD Display**.

Light

- Touch the **Light** button once and the lamps will turn on.
- Touch the **Light** button again and the lamps will turn off.
- The Light button operates independently from the **Power** button. It works even when the range hood is not turned on.
- Always turn off the lamps before powering off the range hood.
- The **Delayed Auto Shut Off** function will turn off the **Light** automatically when the timer reaches 0.

Speed (-) (+)

- While the range hood is off:
 - *Touch the **Speed (-)** button to turn on the Range Hood on the highest speed (F4).*
 - *Touch the **Speed (+)** button to turn on the Range Hood on the lowest speed (F1).*
 - *Touch (-) or (+) again to change the blower speed as indicated in the **LCD Display** until the desired speed is reached.*

Power

- Touch the **Power** button once while the range hood is running to shut it off immediately.

WARNING

Read all instructions and warnings before using the hood.

- DO NOT use the hood when there are no safety grills and filters.
- NEVER dispose cigarette ashes, ignitable substances, or any foreign objects into blowers.
- NEVER leave the cooking appliances unattended. When frying, the oil in the pan can easily overheat and catch on fire. The risk of self-combustion is higher when the oil has been used several times.
- NEVER cook on "open" flames under the range hood. Check deep-fryers during use: Superheated oil may be flammable.

RANGE HOOD CARE

Cleaning

WARNING

- To reduce the risk of electrical shock, DO NOT clean the hood while it's operating.
- Never put your hands into the area housing the fan when the fan is operating.

Cleaning the Exterior Surfaces:

IMPORTANT

To avoid damage to the exterior surfaces:

- DO NOT use corrosive or abrasive detergent.
- DO NOT use steel wool, scoring pad or steel brushes. Use a paper towel or soft cloth or nonabrasive sponge instead.
- DO NOT use salt solutions, disinfectants, bleaches or cleaning compound that contains harmful chemicals.

Cleaning Method:

- Noncorrosive or nonabrasive liquid detergent soap or all-purpose liquid cleanser.
- Wipe the surfaces with a damp paper towel or soft cloth or nonabrasive sponge.
- Rinse with clean water.
- Wipe dry with dry towel or cloth.

Note

- The nonabrasive stainless steel polisher can be applied when done cleaning to retain the stainless luster and grain.
- Always follow the instruction of the polisher.

Cleaning the Stainless Steel Baffle Filters:

- Pull the spring release handle and remove the filter by pulling it down.
- Wash the filters in the dishwasher, or soak it into hot or warm water with dish detergent for half an hour, then wipe the filter clean. Repeat these steps until there's no oil residue remains.
- Let the filters dry thoroughly.
- Make sure the spring release handle is toward the

front, align and insert the filter.

- Pull the spring release handle and push the filter into position.
- Release the handle.
- Repeat the steps for the remaining filters.

Replacing the Filters

- Replace the baffle filters immediately should they become worn out due to aging or prolonged usage.

Replacing the LED Lamps

WARNING

Electrical Shock Hazard

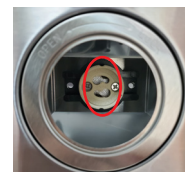
Disconnect power before servicing

Wear gloves to protect against sharp edges

- This range hood uses 120V LED. (**Model No.: GU10.**)
- Unplug the range hood, or turn off the breaker.
- Press on the rim of the Lamp and twist counter-clockwise to unlock the Lamp.



- Pull out the defective Lamp. Use a flathead screwdriver if needed.
- Align and put the new Lamp back into position.



- Press on the rim of the new Lamp and twist clockwise to lock the Lamp in position.
- Plug in the range hood, or turn on the breaker.
- Check if the new Lamp is working properly.

RANGE HOOD TROUBLESHOOTING

Before Calling for Service

Issue	Possible Cause / Solution
The range hood doesn't turn on	<ul style="list-style-type: none"> ▪ Check if the range hood is plugged in. Make sure that all power is turned ON, the fuse isn't blown and all electrical wirings are properly connected.
The range hood turns on but the LED light doesn't	<ul style="list-style-type: none"> ▪ Replace the defective LED assembly. Refer to Range Hood Care section for instructions. ▪ If the circuit board isn't outputting 12V DC when the LED light button is pressed, please contact us for a circuit board replacement.
The range hood vibrates when the blower is on	<ul style="list-style-type: none"> ▪ Check and tighten the mounting screws to secure the hood to the cabinet or wall properly. ▪ Follow the instructions in "How to adjust and replace the fan wheel" section in Page 13 to adjust the fan wheel. ▪ If the fan wheel is unbalanced, please contact us for a fan wheel assembly replacement.
The blower or fan seems weak	<ul style="list-style-type: none"> ▪ <i>Check that the duct size used is as required 6" or 8" per blower unit's vent size and does not have sections with smaller sizes between the hood and the Roof/Wall Cap.</i> Range hood WILL NOT function efficiently with insufficient duct size. For example: 7" duct over 6" top vent and not sealed properly. ▪ Check if the duct is clogged or the damper (half-circular flapper) is not installed correctly or opening properly. A tight mesh on a side wall cap might also cause restriction to the air flow.
The lights work but the blower is not spinning at all or is rattling	<ul style="list-style-type: none"> ▪ The blower might be jammed or scraping the bottom due to shipping damage. ▪ Disconnect the power cord, remove the fan grill and the fan blade, might see the fan blade or/and motor is not in the proper position (offset from the center). Try to fix/adjust it or please contact us immediately.
The hood is not venting out properly	<ul style="list-style-type: none"> ▪ Make sure the distance between the stove top and the bottom of the hood is within recommended 24" and 30" in distance. *Due to different ceiling height configurations, the recommended height may not be applicable. ▪ Reduce the number of elbows and length of duct work. Check if all joints are properly connected, taped and sealed. ▪ Make sure the power is on high speed for heavy cooking.

RANGE HOOD TROUBLESHOOTING

How to adjust and replace the fan wheel

- Disconnect the main power.
- Remove the hood from its mounting location.
- Remove the duct and expose the blower fan wheel.

Follow these instructions to re-seat the fan wheel:

- Slowly rotate the fan wheel to check which part of it is in contact with or too close to the casing.
- Rotate the fan wheel so that the blade with two small cuts is facing you. (Figure 3)
- Use a long screwdriver to slightly loosen the fixing screw.

DO NOT remove the screw completely. It's very difficult to put it back in.

- Adjust the fan wheel left or right to seat it to the center.
- Tighten the fixing screw and plug in the hood to the main power.
- Run the hood in different speeds to check if the issue is fixed.

Follow these instructions to replace the fan wheel with a new one:

- Remove all 4 screws holding the blower casing. (Figure 4)
- Take out the blower casing.
- Rotate the fan wheel so that the blade with two small cuts is facing you. (Figure 3)
- Use a long screwdriver to slightly loosen the fixing screw.
- Remove all 3 screws on the motor brackets and take off the motor.
- Put the motor to the new fan wheel assembly and slightly tighten the fixing screw to the motor shaft.
- Adjust the fan wheel left or right to the center of the casing.
- Tighten the fixing screw.
- Put the blower casing back into the blower unit and tighten all 4 screws.
- Connect to the main power and run the hood in different speeds to check if the new fan wheel is working properly.

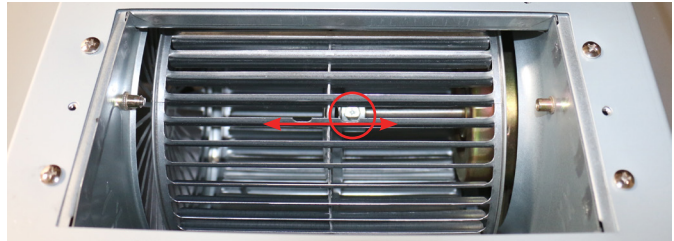


Figure 3 Fixing Screw

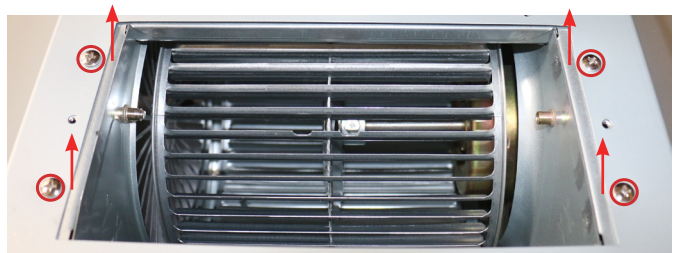


Figure 4

WARRANTY

This product is warranted for a limited period of **ONE YEAR Parts Warranty, begins from the date of purchase.**

This limited warranty is applied to the original retail purchaser and valid only for products purchased for home use.

- *If you bought a Refurbished product at discounted price, please contact the seller directly for warranty.*
- *If you bought the extended warranty from a 3rd party company, please contact that 3rd party company directly.*

In the event of the product fail to work properly due to a defect in manufacturing materials or workmanship under normal home use, during the warranty period mentioned above, subject to the conditions and limitations set forth below, we will, at our options, either repair or replace any part of our products proven defective by reason of improper materials or workmanship:

- Proof of original retail purchase is required to receive warranty service within the limited warranty period.
- Replacement parts or products will be provided by us on an exchange basis, and will be either new or reconditioned.

This Limited Warranty Does Not Cover:

- Consumable parts such as light bulbs and filters (stainless steel, aluminum or charcoal).
- Damage due to natural wear, improper maintenance, or use of corrosive and abrasive cleaning products.
- Chips, dents or cracks on the product caused by improper handling.
- Damage caused by accidents, lightning, fire, floods, or natural disaster.
- Damage of product caused by unauthorized modification or alteration, or if it is used for other than the intended purpose, or any water leakage where the unit was not installed properly.
- Damage of product caused by incorrect electrical wiring, commercial or industrial use, or use of any

cleaning products not recommended in this manual.

- Damage of product due to product misuse, abuse, improper installation, unauthorized repair or maintenance.

**** Awoco is not responsible for any labor costs associated with removing, servicing, installing, or determining the source of problems with our products from third-party service providers.***

To Receive Warranty Service:

- Contact the seller or distributor from which you purchase the product. Please confirm the terms of your dealer's policies or distributor's policies prior to contacting. Or contact us directly.
- Provide the product identification information, such as model number and lot number, proof of original purchase and date of purchase.
- Describe the issue you are experiencing in detail.
 - For general part issues, we will send out replacement parts, free of charge.
 - For products that are defective beyond your ability to repair on your own, send it back to us. Once we identify the issue, you will be given an option to either repair it or exchange it for a new or reconditioned product of the same model or a similar model if the same model is out of stock or discontinued.

RETURNS

Damaged Returns

- You must report the damage directly to us within 14 days.
 - Send photos or videos showing the damage via email. We need this before we can approve your damage claim.
 - Once your claim is approved, we will provide a return shipping label to return the damaged unit.
 - A new replacement hood will be sent to you after the damaged hood has been picked up by the carrier and is in transit returning to us.

**** Please Note this free return process only applies to 48 contiguous United States.***

WARRANTY

** Regular shipping rates will be applied to Hawaii, Alaska, Guam, Puerto Rico, Canada, and other locations.*

Undamaged Returns

- Contact Customer Support within 30 days with your intent and reason for refund.
- You will be responsible for all returned shipping costs. We can help arrange for a pickup if requested.

Product Support and Additional Information:

If you need assistance using your product or you would like to start the warranty service:

- Contact us at 1-888-412-3428, between 11 AM and 5 PM, Monday - Friday, Pacific Time.
Or
- Contact us at www.awoco.com/pages/contact-us.



Website: www.awoco.com

Customer Support: 1-888-412-3428