



Ver. RH-BQ-X-2021B



Important!

Make sure to manually spin the fan wheel to check if it's running without any obstacles before the test run.

If the fan wheel is unbalanced or in contact with the casing, refer to Page 11 for how to re-seat the fan wheel.



OWNER'S MANUAL

Range Hood

RH-BQ-X Built-In with Blower Series



HOW TO TEST RUN

Steps To Test Run Before Installation

IMPORTANT!

Wear gloves to protect against sharp edges.

PLEASE FOLLOW THESE INSTRUCTIONS TO TEST THE RANGE HOOD BEFORE INSTALLATION FOR ANY DEFECTS OR SHIPPING DAMAGE:

1. Remove the range hood and accessories from the package carefully.
2. Place the range hood on a flat stable surface, remove the baffle filter and check for any dents or damages on the range hood body.
3. Remove the loosen parts if there's any.
4. Plug the range hood into a 120V AC power source. Press the power button once and then any of the speed buttons to turn it on.
5. Check each speed variation and pay attention to the noise level to make sure there isn't any unusual noise besides it coming from the wind blowing. Press the Light Button to check the lights.
6. Verify all functions, as instructed in Page 10, are working properly.
7. Refer to Range Hood Troubleshooting in Page 12 for general issues and solutions.

Note

Please don't suspect that a range hood without protective films is not a new product.

- *The protective films on the body was removed to complete the brush finished polishment on the surface.*

The Baffle Filters might be covered by protective films that can be removed with the following steps:

- *Soak the Baffle Filters into hot waters or use heated air from a hair dryer to soften the films.*
- *Peel off the films from the corner.*

Please read all instructions carefully before proceeding further to prevent the risk of fire, electric shock, personal injury or damage to the range hood. This manual provides a general insight on the installation and may not include solutions for all possible issues that may occur.

In case of this manual destroyed or lost, please visit <https://www.awoco.com> and download a digital version.

Installation Overview

1. Unpack the range hood and check for any physical damage on the body.
2. Test run the range hood and check if all functions are working properly. Refer to Page 10 for functionalities.

DO NOT install the range hood if it's defective. Contact the seller immediately.

3. If all is fine, install the range hood as instructed in this manual. Refer to Page 7.
4. Test run the range hood again when the installation is finished. Refer to Page 12 for troubleshooting.

Possible Tools Needed:

- Marker / Pencil;
- Jig Saw or Reciprocating Saw;
- Screwdrivers or Power Drill;
- Level;
- Measuring Tape;
- Knife;
- Duct / Foil Tape;
- Screws.

2 PEOPLE ARE REQUIRED FOR THE INSTALLATION.

Table of Contents

Important Safety Instructions	4
Installation Preparations	5
Venting Requirements	5
Venting System Setup	5
Electrical Requirement	6
Installation	7
Installing the Range Hood	7
Electrical Connection	7
Installing the Baffle Filters	8
Optional Ductless Configuration	8
Completing the Installation	8
Dimensions	9
Range Hood Use	10
Range Hood Control Panel	10
Range Hood Care	11
Clean the Exterior Surfaces	11
Clean or Replace the Baffle Filters	11
Replace the LED Lamps	11
Range Hood Troubleshooting	12
Warranty	14

IMPORTANT SAFETY INSTRUCTIONS

TO REDUCE THE RISK OF FIRE, ELECTRIC SHOCK OR PERSONAL INJURY, PLEASE READ THE FOLLOWING CAREFULLY BEFORE ATTEMPTING TO ASSEMBLE, INSTALL, OPERATE OR MAINTAIN THE RANGE HOOD:

- Always disconnect, lock and tag the power source before installing or servicing the range hood. Failure to do so may result in fire, shock or serious injury.
- Installation and electrical wiring must be done by qualified technician(s) in accordance with all applicable codes and standards, including fire-rated construction.
- When cutting or drilling into walls or ceilings, please be careful not to damage any electrical wirings and other hidden utilities.
- Verify and ensure the rated voltage and frequency of the range hood is in compliance with the nearby power source.
- Always unplug the range hood from the power source before cleaning it.
- Use the range hood only as directed in this manual. Do not use it to vent hazardous or explosive materials or vapors.
- Clean the baffle filters regularly to prevent it become blocked or clogged. Good air flow is essential for the range hood to work properly.
- Do not install, repair or replace any parts of the range hood unless you are instructed to do so by the manufacturer.
- Do not tamper with or modify the PCB.
- This range hood model requires a duct to vent the air outside. Do not vent the air into spaces within walls, ceilings, attics, crawl spaces or garages.

TO REDUCE THE RISK OF A RANGE TOP GREASE FIRE:

- Never leave surface units unattended at high settings. Boilovers cause smoking and greasy

spillovers that may ignite. Heat oils slowly on low or medium settings.

- Always turn the hood ON when cooking at high heat or when flambeing food (i.e. Crepes Suzette, Cherries Jubilee, Peppercorn Beef Flambé).
- Clean ventilating fans frequently. Grease should not be allowed to accumulate on the fan or filter.
- Use proper pan sizes. Always use cookware appropriate for the size of the surface element.

TO REDUCE THE RISK OF INJURY TO PERSONS IN THE EVENT OF A RANGE TOP GREASE FIRE:

- SMOTHER FLAMES with a close-fitting lid, cookie sheet or metal tray, then turn off the burner. BE CAREFUL TO PREVENT BURNS. If the flames do not go out immediately, EVACUATE AND CALL THE FIRE DEPARTMENT.
- NEVER PICK UP A FLAMING PAN - you may be burned.
- DO NOT USE WATER, including wet dish cloths or towels - a violent steam explosion may result.
- Use a fire extinguisher ONLY if:
 - You have a Class ABC extinguisher, and you already know how to operate it.
 - The fire is small and contained in the area where it started.
 - The fire department is being called.
 - You can fight the fire with your back to an exit.

TO REDUCE THE RISK OF PERSONAL INJURY IN THE EVENT OF A GAS LEAK:

- Extinguish any open flame.
- DO NOT turn on the lights or any type of appliance.
- Open all doors and windows to disperse the gas. If you still smell the gas, call the gas company, fire department, or 911 immediately.

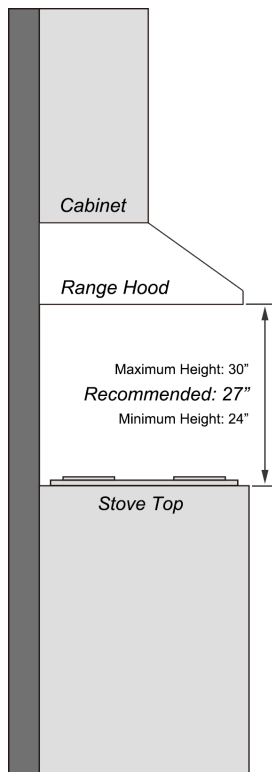
Read and Save These Instructions

INSTALLATION PREPARATIONS

Venting Requirements

DO

- Have the venting system go vertically from the range hood to the roof if possible.
- Have 24"-30" distance between the cooktop and the range hood. 27" is recommended.
- Use uniformed duct of 6" round duct or 3-1/4 x 10" rectangular duct or larger.
- Use metal vent only. Rigid metal vent is recommended. Semi-rigid aluminum vent is also acceptable for easy connection.
- Make sure there is a minimum of 24" of straight vent between the elbows if more than 1 elbow is used.
- Use minimal numbers of elbows and the shortest route for the venting system for a better performance.
- Use silver tap or duct tap to seal all joints in the venting system.
- Use caulking silicone to seal exterior wall or roof opening around the cap.
- Always keep the duct clean to ensure proper airflow.



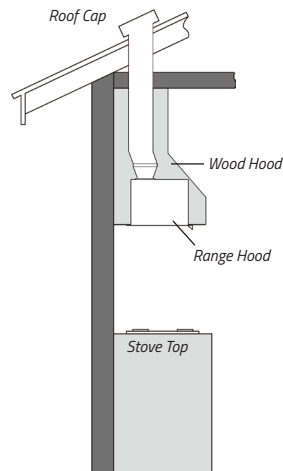
DO NOT

- End the venting system in an enclosed area indoors.
- Use plastic vent.
- Use no more than three 90° elbows.
- Install 2 elbows together.
- Install the range hood outside of the recommended height.
- Reduce the duct size below the recommended size.

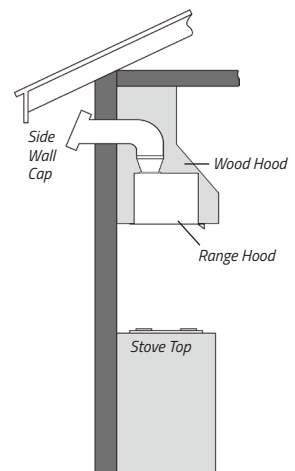
Venting System Setup:

- This Range Hood is 6" top venting through the roof or wall.

Top Venting Roof Exhaust



Top Venting Wall Exhaust



INSTALLATION PREPARATIONS

IMPORTANT!

- If long duct run is needed, increase the duct size from 6" to 7" or 8" to 9".
- If a reducer is needed, use a long reducer instead of a pancake reducer and install it as far away from the range hood as possible. Reducing the duct size will restrict and decrease the speed of the airflow and hence lower the range hood's performance.
- If transitions or turns are needed, install them as far away from the range hood as possible and keep the distance between the 2 as far apart as possible.
- The minimum mounting height should be no less than 24" and the maximum mounting height should be no more than 30".
- Also refer to the owner's manual of the stove top for the height clearance requirement and the recommended mounting height above the range.

Note

- *It is important to install the range hood at the proper mounting height. Hoods mounted too low could result in heat damage and fire hazard while hoods mounted too high will be out of reach and hence reduce its performance and efficiency.*

Minimum Duct Size:

- Round: 6" minimum.
- Rectangular: 3-1/4" x 10" minimum.



IMPORTANT!

Observe all governing codes and ordinances.

It is the customer's responsibility:

- To contact a qualified electrical installer;
- To ensure that the electrical installation is in compliance with applicable codes and standards.

Electrical Requirements:

- A 120V, 60Hz., AC only, 15A fused electrical circuit is required.
- Wire sizes and connections must conform with the power rating of the range hood and all applicable codes and standards.
- DO NOT have a fuse in the neutral or ground circuit.
- The 3-prong outlet should be grounded. If the power cord plug is not used, the power cord's green wire should be connected to ground. Check with a qualified electrician if you are not sure that the range hood is properly grounded.
- DO NOT ground to a gas pipe.
- The range hood must be connected with copper wire/plug only.
- The range hood should be connected directly to the fused disconnect box (or circuit breaker) through flexible armored or non-metallic sheathed copper cable. ETL listed strain relief must be provided at each end of the power supply cable.

INSTALLATION

Installing the Range Hood

Note

- If the wood hood is enclosed at the bottom, make a cutout on the board so that the Range Hood can fit into the wood hood.

Guide the duct into the Wood Hood. Temporarily secure the top of the duct to the ceiling opening or wall opening.

The following steps requires 2 or more people:

- Unpack the Range Hood and place it on a sturdy flat surface with the Baffle Filters facing the ceiling.
- Remove the Baffle Filters. **(Step 1 & 2 in Figure 1)**
- Remove the bottom cover and put it in a safe location.
- Connect the duct to the vent opening on the Range Hood. If the duct size isn't the same as the vent opening, use an adapter between the duct and the vent opening.
- While lifting the Range Hood to fit into the wood hood, retract the Duct into the attic carefully.
- Insert and tighten all screws into the pre-drilled holes on the Hood body until it is securely mounted to the wood hood. **(Figure 2)**
- Release the Range Hood.
- Put the Panel back and tighten all screws.

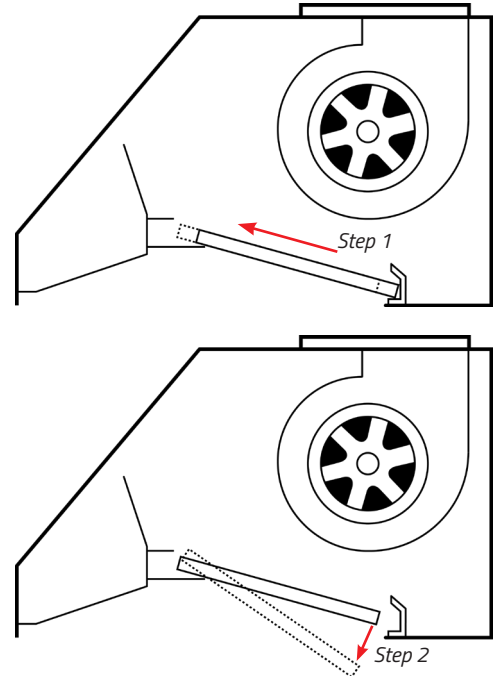


Figure 1

CAUTION

- **Make sure the Hood Unit is securely mounted before releasing.**
- Route and connect the Duct to the Roof or Wall Cap. Refer to Page 5 for the most efficient routing requirements.
- Use foil tape or duct tape to seal all connections.

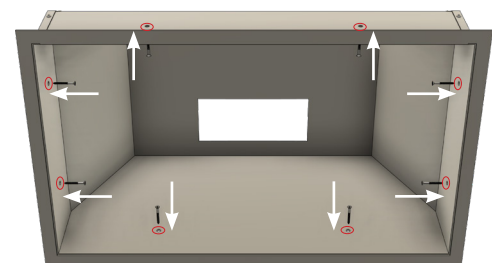


Figure 2

Electrical Connection

- This range hood comes with a power cord with a 3-prong plug. Connect the power cord to a designated grounded standard 110V outlet.

WARNING

Electrical Shock Hazard

Disconnect power before servicing

INSTALLATION

- In case of a direct connection to the house wiring is preferred, do the following:
 - Disconnect the power.
 - Cut off the plug from the power cord.
 - Connect the wires from the power cord to the wires from the house wiring using UL listed wire connectors.
 - Store the excess wires in the wiring box.
 - Reconnect the power.

Installing the Baffle Filters

- Peel off the protective film from the baffle filters if there's any:
 - Soak the Baffle Filters into hot waters or use heated air from a hair dryer to soften the films.
 - Peel off the films from the corner.
- Align the baffle filters with the Hood Body and install them in revert steps **(Step 2, then Step 1)** in **Figure 1** in Page 7.

Note

Optional Aluminum Mesh Filters are available for purchase. Visit www.awoco.com "WHERE TO BUY" page.

Optional Ductless Configuration

- Remove the grease filters from the bottom of the hood.
- Remove the Fan Wheel Grille or the old Charcoal Filter from the Blower.
- Position the Charcoal Filter onto the side of the Blower, aligning the mounting screws, turn until it locks. Re-install the grease filters.

(Figure 4 and Figure 5)

Note

- For ductless installation, make sure there are vent openings on the top of the wood hood in order to circulate the air in the kitchen.
- Charcoal Filters must be replaced after 120 hours of use (or approximately every 2 to 3 months based on the average of 1 to 2 hours of daily cooking time.). Visit www.awoco.com "WHERE TO BUY" page to purchase the Charcoal Filters.

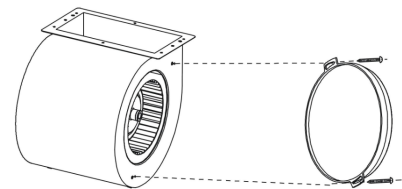


Figure 4

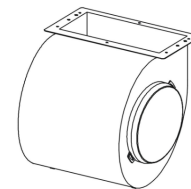


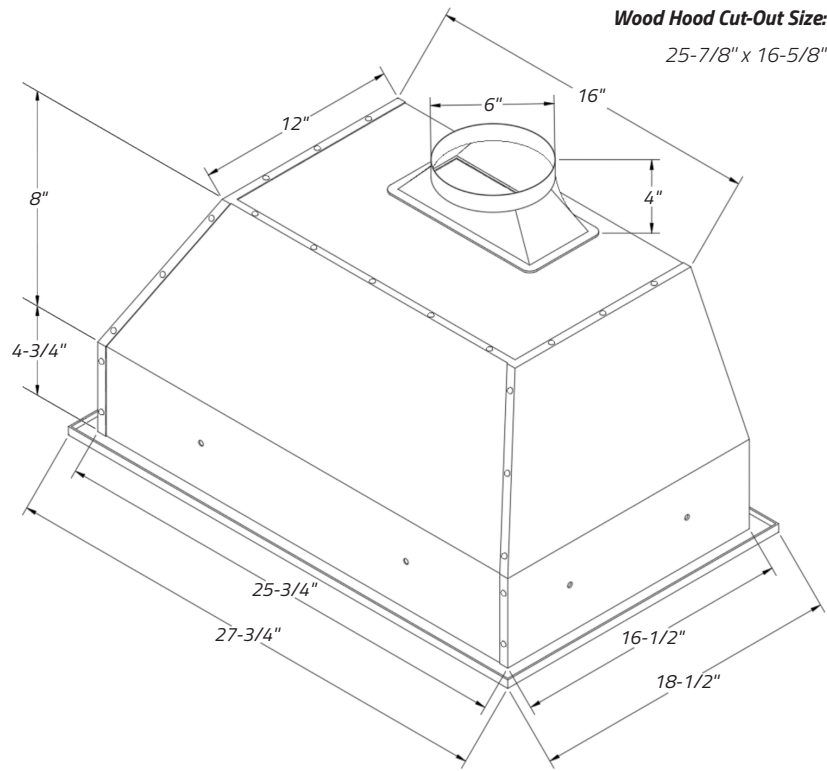
Figure 5

Completing the Installation

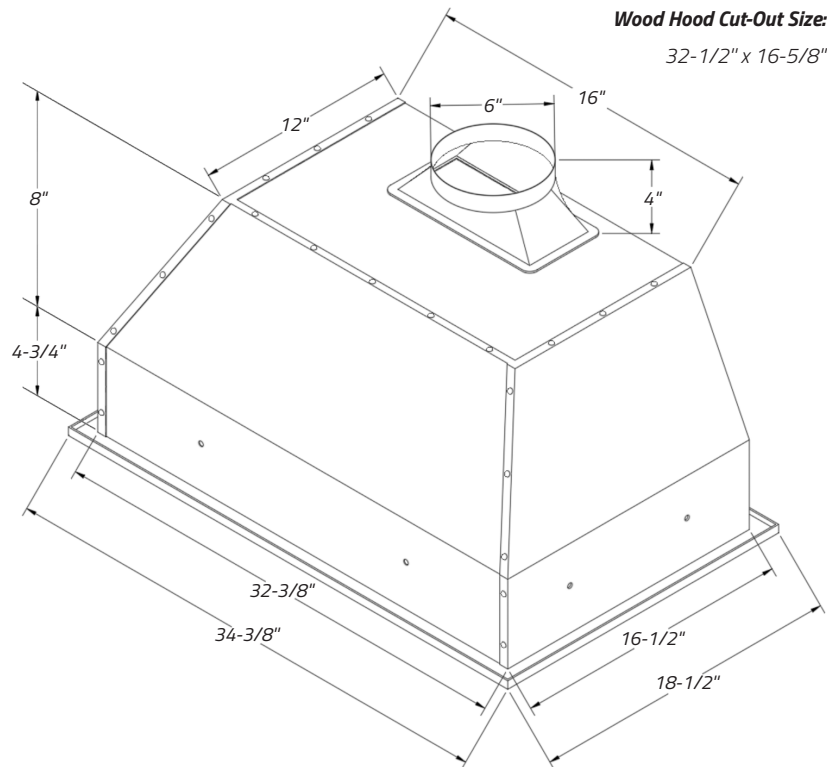
Turn power ON in the control panel. Check all lights and fan operations.

INSTALLATION

RH-BQ-X Dimensions



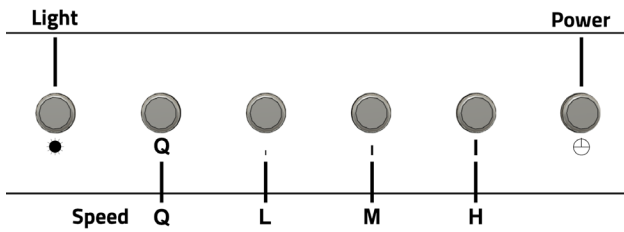
RH-BQ-X-30



RH-BQ-X-36

RANGE HOOD USE

Range Hood Control Panel



Lamps/Light

- Press the **Light** button once and the lamps will turn on at maximum brightness.
- When the lamps are on, Press and Hold the **Light** button to reduce the brightness. Release the **Light** button when the desired brightness is reached.
- Press the **Light** button again and the lamps will turn off.
- The lamps can be turned off manually, or automatically with the **Delayed Auto Shut Off Function**.

Speed Control

- There are 4 speed modes you can choose from: **Quiet, Low Speed, Medium Speed and High Speed**.

Button	Mode
Q	Quiet - <i>Generate less noise, perfect for light cookings.</i>
L	Low Speed
M	Medium Speed
H	High Speed

Note

- Pressing any of the speed buttons will turn on the range hood and set it to the speed the button designates.*
- The last selected speed will be memorized and resumed the next time the range hood is turned on by pressing the power button.*

Power

- Pressing the **Power** button can also **turn on and resume** the Range Hood to **the speed the last time used**.
- After cooking, press the Power button once** will activate the **Delayed Auto Shutoff function**.
- Quickly press the Power button twice** will **shut off** the range hood **immediately**.

3-Minute Delayed Auto Shut Off Function

- When the **range hood is running** at any speed, **press the Power button once** will **activate the Delayed Auto Shut Off function**. The countdown timer will start and the range hood will be shut off automatically in 3 minutes.*
- While the Delayed Auto Shut Off function is activated, press the Power button again and the range hood will be shut off immediately.*

WARNING

Read all instructions and warnings in the Range Hood User Manual before using the hood.

- DO NOT use the hood when there are no safety grills and filters.
- NEVER dispose cigarette ashes, ignitable substances, or any foreign objects into blowers.
- NEVER leave the cooking appliances unattended. When frying, the oil in the pan can easily overheat and catch on fire. The risk of self-combustion is higher when the oil has been used several times.
- NEVER cook on "open" flames under the range hood. Check deep-fryers during use: Superheated oil may be flammable.

RANGE HOOD CARE

Cleaning

WARNING

- To reduce the risk of electrical shock, DO NOT clean the hood while it's operating.
- Never put your hands into the area housing the fan when the fan is operating.

Cleaning the Exterior Surfaces:

IMPORTANT

To avoid damage to the exterior surfaces:

- DO NOT use corrosive or abrasive detergent.
- DO NOT use steel wool, scoring pad or steel brushes. Use a paper towel or soft cloth or nonabrasive sponge instead.
- DO NOT use salt solutions, disinfectants, bleaches or cleaning compound that contains harmful chemicals.

Cleaning Method:

- Noncorrosive or nonabrasive liquid detergent soap or all-purpose liquid cleanser.
- Wipe the surfaces with a damp paper towel or soft cloth or nonabrasive sponge.
- Rinse with clean water.
- Wipe dry with dry towel or cloth.

Note

- The nonabrasive stainless steel polisher can be applied when done cleaning to retain the stainless luster and grain.
- Always follow the instruction of the polisher.

Cleaning the Stainless Steel Baffle Filters:

- Pull the spring release handle and remove the filter by pulling it down.
- Wash the filters in the dishwasher, or soak it into hot or warm water with dish detergent for half an hour, then wipe the filter clean. Repeat these steps until there's no oil residue remains.
- Let the filters dry thoroughly.
- Make sure the spring release handle is toward the front, align and insert the filter.
- Pull the spring release handle and push the filter into position.

- Release the handle.
- Repeat the steps for the remaining filters.

Replacing the Filters:

- Replace the baffle filters immediately should they become worn out due to aging or prolonged usage.

Replacing the LED Lamps:

WARNING

Electrical Shock Hazard

Disconnect power before servicing

Wear gloves to protect against sharp edges

- This range hood uses 12V, 3W LED.
- Unplug the range hood, or turn off the breaker.
- Remove the Baffle Filters and put them in a safe location.
- Reach into the Hood Body and push on the back of the Failed Lamp to release it.
- Disconnect the wires and remove the Failed LED Lamp.
- Connect the wires to the new Lamp.
- Align and put the New Lamp back into position.
- Press the edge of the New Lamp until it touches the Hood Body.
- Put the Baffle Filters back into place.
- Plug in the range hood, or turn on the breaker.
- Check if the new Lamp is working properly.

RANGE HOOD TROUBLESHOOTING

Before Calling for Service

Issue	Possible Cause / Solution
The range hood doesn't turn on	<ul style="list-style-type: none"> Check if the range hood is plugged in. Make sure that all power is turned ON, the fuse isn't blown and all electrical wirings are properly connected.
The range hood turns on but the LED light doesn't	<ul style="list-style-type: none"> Replace the defective LED assembly. Refer to Range Hood Care section for instructions. If the circuit board isn't outputting 12V DC when the LED light button is pressed, please contact us for a circuit board replacement.
The blower vibrates or makes squeaking noise when the blower is on	<ul style="list-style-type: none"> Check and tighten the mounting screws to secure the hood to the cabinet or wall properly. Follow the instructions in "How to adjust and replace the fan wheel" section in Page 13 to adjust the fan wheel. If the fan wheel is unbalanced, please contact us for a fan wheel assembly replacement.
The blower or fan seems weak	<ul style="list-style-type: none"> Check that the duct size used is as required 6" or 8" per blower unit's vent size and does not have sections with smaller sizes between the hood and the Roof/Wall Cap. Range hood WILL NOT function efficiently with insufficient duct size. For example: 7" duct over 6" top vent and not sealed properly. Check if the duct is clogged or the damper (half-circular flapper) is not installed correctly or opening properly. A tight mesh on a side wall cap might also cause restriction to the air flow.
The lights work but the blower is not spinning at all or is rattling	<ul style="list-style-type: none"> The blower might be jammed or scraping the bottom due to shipping damage. Disconnect the power cord, remove the fan grill and the fan blade, might see the fan blade or/and motor is not in the proper position (offset from the center). Try to fix/adjust it or please contact us immediately.
The hood is not venting out properly	<ul style="list-style-type: none"> Make sure the distance between the stove top and the bottom of the hood is within recommended 24" and 30" in distance. *Due to different ceiling height configurations, the recommended height may not be applicable. Reduce the number of elbows and length of duct work. Check if all joints are properly connected, taped and sealed. Make sure the power is on high speed for heavy cooking.

RANGE HOOD TROUBLESHOOTING

How to adjust and replace the fan wheel

- Disconnect the main power.
- Remove the hood from its mounting location.
- Remove the duct and expose the blower fan wheel.

Follow these instructions to re-seat the fan wheel:

- Slowly rotate the fan wheel to check which part of it is in contact with or too close to the casing.
- Rotate the fan wheel so that the blade with two small cuts is facing you. (Figure 6)
- Use a long screwdriver to slightly loosen the fixing screw.

DO NOT remove the screw completely. It's very difficult to put it back in.

- Adjust the fan wheel left or right to seat it to the center.
- Tighten the fixing screw and plug in the hood to the main power.
- Run the hood in different speeds to check if the issue is fixed.

Follow these instructions to replace the fan wheel with a new one:

- Remove all 4 screws holding the blower casing. (Figure 7)
- Take out the blower casing.
- Rotate the fan wheel so that the blade with two small cuts is facing you. (Figure 6)
- Use a long screwdriver to slightly loosen the fixing screw.
- Remove all 3 screws on the motor brackets and take off the motor.
- Put the motor to the new fan wheel assembly and slightly tighten the fixing screw to the motor shaft.
- Adjust the fan wheel left or right to the center of the casing.
- Tighten the fixing screw.
- Put the blower casing back into the blower unit and tighten all 4 screws.
- Connect to the main power and run the hood in different speeds to check if the new fan wheel is working properly.

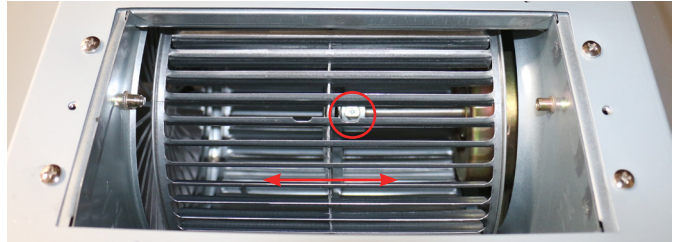


Figure 6 Fixing Screw

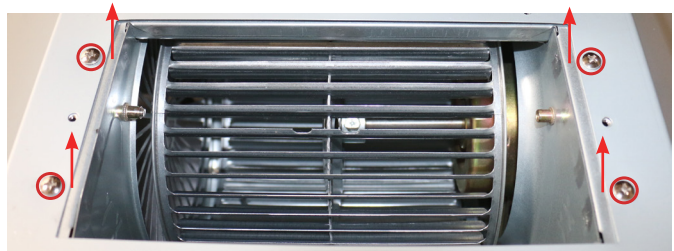


Figure 7

WARRANTY

This product is warranted for a limited period of **ONE YEAR Parts Warranty, begins from the date of purchase.**

This limited warranty is applied to the original retail purchaser and valid only for products purchased for home use.

- *If you bought a Refurbished product at discounted price, please contact the seller directly for warranty.*
- *If you bought the extended warranty from a 3rd party company, please contact that 3rd party company directly.*

In the event of the product fail to work properly due to a defect in manufacturing materials or workmanship under normal home use, during the warranty period mentioned above, subject to the conditions and limitations set forth below, we will, at our options, either repair or replace any part of our products proven defective by reason of improper materials or workmanship:

- Proof of original retail purchase is required to receive warranty service within the limited warranty period.
- Replacement parts or products will be provided by us on an exchange basis, and will be either new or reconditioned.

This Limited Warranty Does Not Cover:

- Consumable parts such as light bulbs and filters (stainless steel, aluminum or charcoal).
- Damage due to natural wear, improper maintenance, or use of corrosive and abrasive cleaning products.
- Chips, dents or cracks on the product caused by improper handling.
- Damage caused by accidents, lightning, fire, floods, or natural disaster.
- Damage of product caused by unauthorized modification or alteration, or if it is used for other than the intended purpose, or any water leakage where the unit was not installed properly.
- Damage of product caused by incorrect electrical wiring, commercial or industrial use, or use of any

cleaning products not recommended in this manual.

- Damage of product due to product misuse, abuse, improper installation, unauthorized repair or maintenance.

**** Awoco is not responsible for any labor costs associated with removing, servicing, installing, or determining the source of problems with our products from third-party service providers.***

To Receive Warranty Service:

- Contact the seller or distributor from which you purchase the product. Please confirm the terms of your dealer's policies or distributor's policies prior to contacting. Or contact us directly.
- Provide the product identification information, such as model number and lot number, proof of original purchase and date of purchase.
- Describe the issue you are experiencing in detail.
 - For general part issues, we will send out replacement parts, free of charge.
 - For products that are defective beyond your ability to repair on your own, send it back to us. Once we identify the issue, you will be given an option to either repair it or exchange it for a new or reconditioned product of the same model or a similar model if the same model is out of stock or discontinued.

RETURNS

Damaged Returns

- You must report the damage directly to us within 14 days.
 - Send photos or videos showing the damage via email. We need this before we can approve your damage claim.
 - Once your claim is approved, we will provide a return shipping label to return the damaged unit.
 - A new replacement hood will be sent to you after the damaged hood has been picked up by the carrier and is in transit returning to us.

**** Please Note this free return process only applies to 48 contiguous United States.***

WARRANTY

** Regular shipping rates will be applied to Hawaii, Alaska, Guam, Puerto Rico, Canada, and other locations.*

Undamaged Returns

- Contact Customer Support within 30 days with your intent and reason for refund.
- You will be responsible for all returned shipping costs. We can help arrange for a pickup if requested.

Product Support and Additional Information:

If you need assistance using your product or you would like to start the warranty service:

- Contact us at 1-888-412-3428, between 11 AM and 5 PM, Monday - Friday, Pacific Time.
Or
- Contact us at www.awoco.com/pages/contact-us.



Website: www.awoco.com

Customer Support: 1-888-412-3428