



# Plunger Micro Switch Installation Manual

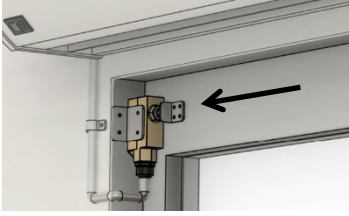
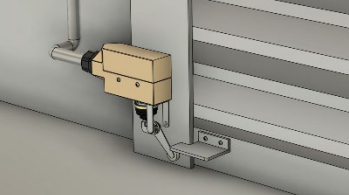
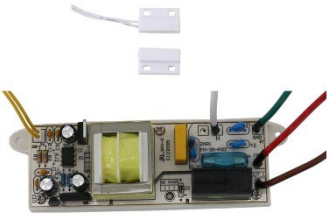

Visit [www.awoco.com](http://www.awoco.com) for more information

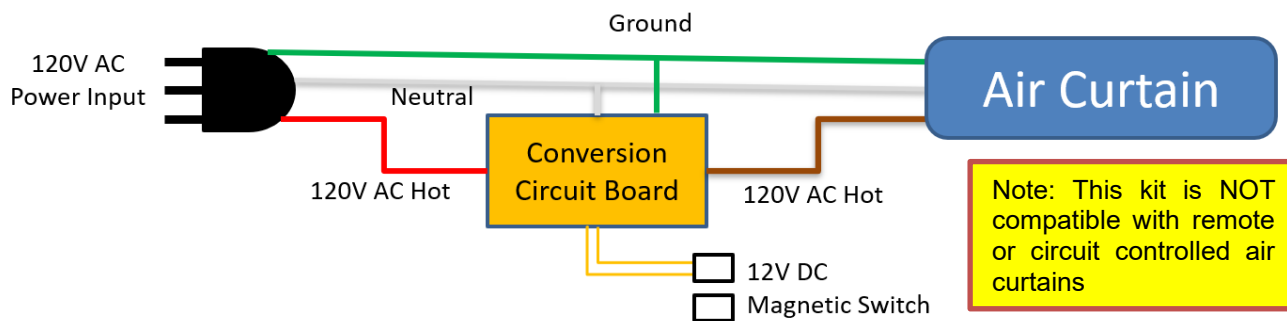
**Note: consult with your electrical professional for electrical connection. 120VAC connection might require hard wired.**

<p><b>Awoco Air Curtains:</b> Cut the connection nut off the dedicated 2 wires for door switch, extend and connect the wires to the micro switch's Normally Closed (NC) and Common (COM) poles.</p>	
<p><b>Other brands' air curtains:</b> Cut the power cord's Hot wire (usually black color) and connects to the micro switch's Normally Closed (NC) and Common (COM) poles. <u>Don't connect the Ground to COM. It is a switch only, don't connect Neutral.</u></p>	

The air curtain should be installed indoor, follow the below diagrams for the recommended installation.

Door Type	Installation Diagram	Applicable Micro Switch Models	Installation Difficulty Rating
<p><b>Outward swing doors</b></p> <p>If the door swings outward, mount the micro switch on the side of the door frame or the upper side of door frame.</p>		<p>TZ-6001 TZ-6003 TZ-6104</p>	<p>Easy</p>
<p><b>Inward swing doors</b></p> <p>If the door swings inward, please use metal sheet to create the brackets (not included) to install the micro switch.</p>		<p>TZ-6001 TZ-6003 TZ-6104</p>	<p>Medium</p>
<p><b>In &amp; out swing doors</b></p> <p>If the door swings in and out, please place the roller plunger micro switch on the upper side of the door frame with a metal bracket (not included) mounted on the top of the door.</p>		<p>TZ-6003</p>	<p>Hard</p>
<p><b>Middle ended sliding doors</b></p> <p>If double sliding doors ended in the middle, please place the plunger micro switch on the upper side of the door frame with a metal bracket (not included) mounted on the top of the door.</p>		<p>TZ-6001 TZ-6002 TZ-6003 TZ-6104</p>	<p>Easy</p>

Door Type	Installation Diagram	Applicable Micro Switch Models	Installation Difficulty Rating
<p><b>Side ended sliding doors</b></p> <p>If a sliding door ended in the side, please place the plunger micro switch on the side of the door frame with a metal bracket (not included) mounted on the door.</p>		TZ-6001 TZ-6002 TZ-6003 TZ-6104	Easy
<p><b>Roll up gates</b></p> <p>For roll up warehouse gates, please place the roller plunger micro switch on the side of the door frame with a metal bracket (not included) mounted on the gate.</p>		TZ-6001 TZ-6002 TZ-6003 TZ-6104	Hard
<p>If the door closer is defective or the door is not closed fully, or the window is too light to press the plunger, micro switch won't work on these situations.</p> <p>Please refer to the Awoco <a href="#">Magnetic Circuit Conversion Kit</a>. It converts the 120VAC to 12VDC and uses the magnetic switch.</p> <p>The magnetic switch can be installed in all situations. Visit <a href="http://www.awoco.com">www.awoco.com</a> for more detail on magnetic switch EASY installation.</p>		<p><b>Magnetic Circuit Conversion Kit</b>            (require electrical connection technique, but not hard)</p> <p><b>WARNING:</b> don't replace the 120VAC micro switch directly with a 12VDC magnetic switch. The magnetic switch will burn out at 120VAC. Get the whole conversion kit.</p>	
			



If you want to buy new air curtains, please consider **Awoco Magnetic Switch Controlled Air Curtains** which save you a lot of time on the door switch installation.

## SUPPORT AND CONTACT

Visit [www.awoco.com](http://www.awoco.com) for Air Curtains, Door Switches, Range Hoods, and Hand Dryers. Email [sales@awoco.com](mailto:sales@awoco.com) or call 888-412-3428 for technical support and sales activity.