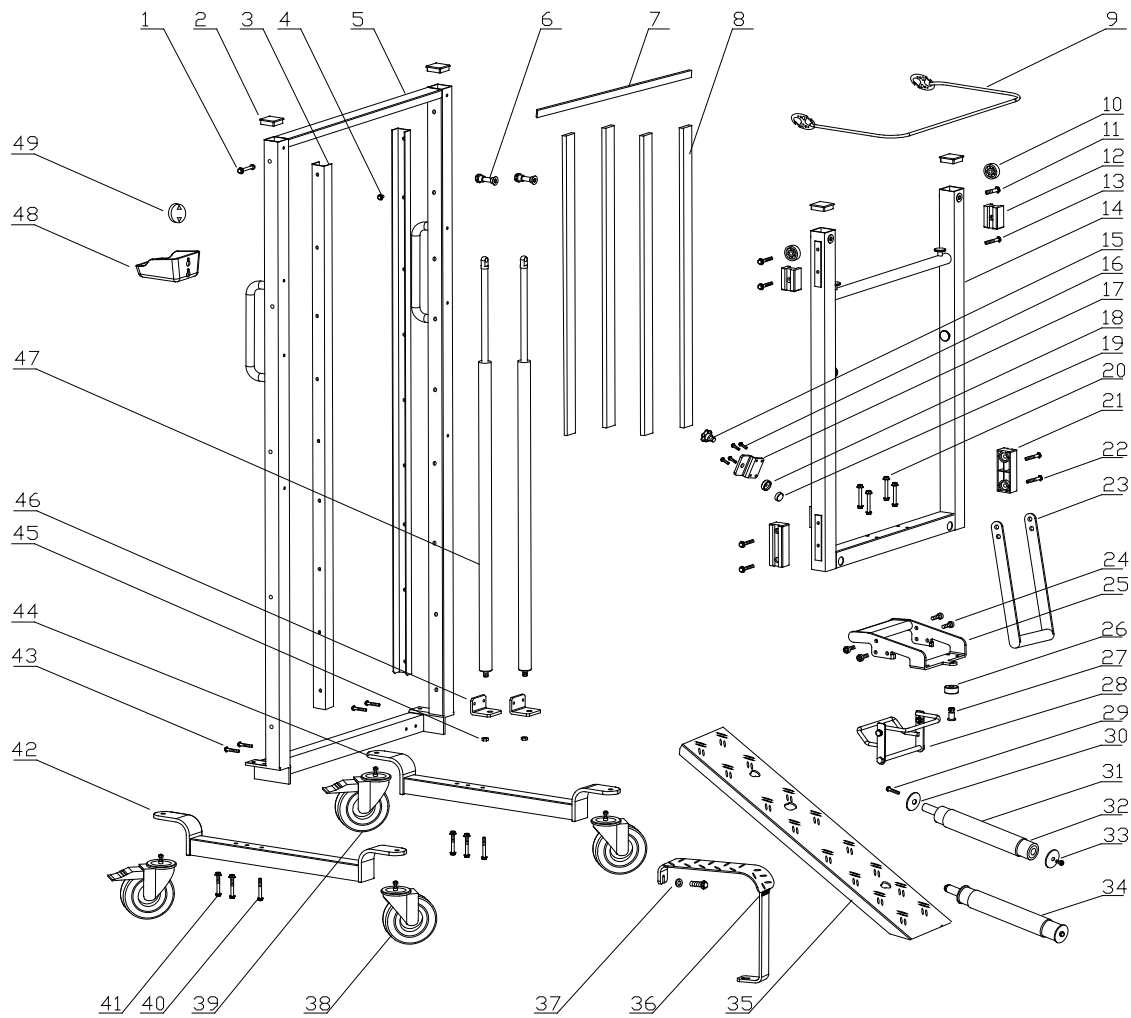


Y472270



Y472270

Pos.	Parts	Description	QTY	Pos.	Parts	Description	QTY
1	Y472270-1	BOLT + NUT, M6*50	10	26	Y472270-26	NYLON WHEEL	1
2	Y472270-2	PLASTIC END CAP	4	27	Y472270-27	BOLT+NUT, M8*35	1
3	Y472270-3	GUIDE RAIL	2	28	Y472270-28	RELEASE BAR	1
4	Y472270-4	PHILIP BOLT, M5*6	8	29	Y472270-29	BOLT+WASHER, M12*20	2
5	Y472270-5	MAIN FRAME	1	30	Y472270-30	WASHER, 48x16	2
6	Y472270-6	GAS SPRING CONNECT KIT	2	31	Y472270-31	SLIDING TUBE	2
7	Y472270-7	FOAM STRIP B	1	32	Y472270-32	ROLLER SHAFT	2
8	Y472270-8	FOAM STRIP A	4	33	Y472270-33	SUNK BOLT +WASHER, M12*20	2
9	Y472270-9	RUBBER BAND	1	34	Y472270-34	ROLLER	2
10	Y472270-10	BALL BEARING, 11*15*35	2	35	Y472270-35	TIRE RAMP	1
11	Y472270-11	BEARING CONNECT KIT	2	36	Y472270-36	FOOT REST	1
12	Y472270-12	UPPER GUIDE BLOCK	2	37	Y472270-37	BOLT + WASHER, M8*20	1
13	Y472270-13	PHILIP BOLT, M6*12	2	38	Y472270-38	LARGE WHEEL	2
14	Y472270-14	MOVING FRAME	1	39	Y472270-39	LARGE WHEEL WITH LOCK	2
15	Y472270-15	CLAMP KNOB	1	40	Y472270-40	BOLT+ WASHER, M8*60	2
16	Y472270-16	BOLT + WASHER, M6*16	4	41	Y472270-41	BOLT+ NUT, M8*60	4
17	Y472270-17	CLAMP BRACKET	1	42	Y472270-42	LEG BAR A	1
18	Y472270-18	PAD HOLDER	1	43	Y472270-43	BOLT + WASHER, M8*52	4
19	Y472270-19	BREAK PAD	1	44	Y472270-44	LEG BAR B	1
20	Y472270-20	BOLT + NUT, M6*55	4	45	Y472270-45	NUT, M10*1	2
21	Y472270-21	LOWER GUIDE BLOCK	2	46	Y472270-46	GAS SPRING SUPPORT	2
22	Y472270-22	PHILIP BOLT, M6*12	4	47	Y472270-47	GAS SPRING	2
23	Y472270-23	EXTENDED STEP	1	48	Y472270-48	BUCKET	1
24	Y472270-24	ALLEN BOLT+NUT, M8*25	4	49	Y472270-49	MAGNET	1
25	Y472270-25	PEDAL FRAME	1				