



IS0598-02
01/16

Tomar TLUX Highbay Luminaire Installation Instructions

TOMAR's TLUX Highbay Luminaire is designed for long life, low maintenance and high efficacy. Read and follow these instructions for best installation and maintenance of the TLUX Luminaire.

NOTE: Save these instructions for future reference.

WARNING: To avoid risk of fire or electric shock, the Luminaire is to be installed, inspected and maintained by a qualified electrician, in accordance with all applicable electrical codes.

WARNING: To avoid risk of injury or damage, the Luminaire is to be installed by a qualified contractor familiar with safety practices in handling, hanging and supporting the Luminaire, and in accordance with all applicable safety codes.

1. Installation

WARNING: To avoid electric shock:

- Ensure that electrical power is OFF before and during installation and maintenance.
- Luminaire must be connected to a grounded wiring system.

WARNING: To avoid premature failure and to maintain continuous operation:

- Make sure the supply voltage is the same as the rated luminaire voltage.
- Do not install where ambient temperature exceeds the operating temperature rating.
- Luminaire must be installed in free air.

Pendant Mount

The TOMAR TLUX Highbay Luminaire is designed for pendant mount using either 3/4 IN, or 1 IN, NPT universal pipe thread mounting.

- Setscrew included on the Luminaire fixture to be utilized for pendant mount installation
- Two (2) safety lugs integral to the Luminaire fixture are recommended for use in all applications.

Crane Bracket Mounting Option

The TOMAR TLUX Highbay Luminaire Crane Bracket Mounting option is factory-installed.

- Two (2) safety lugs integral to the Luminaire fixture are recommended for use in all applications.

Mounting bolt pattern: Four (4) customer mounting holes, .40" diameter, located on the top surface, bolt pattern 4" x 4" square.

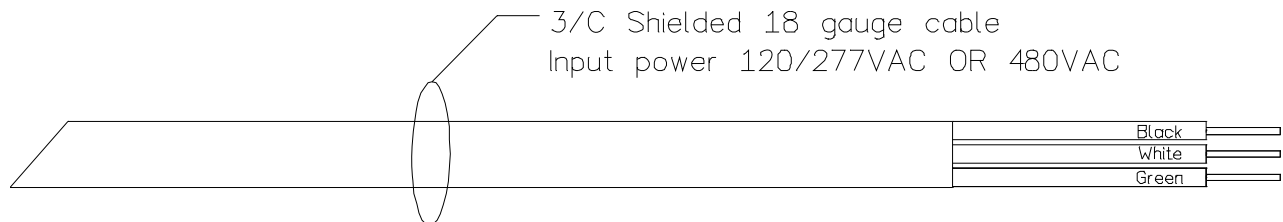
TOMAR Electronics
2100 W Obispo Ave Gilbert, AZ
www.tomar.com



ISO598-02
01/16

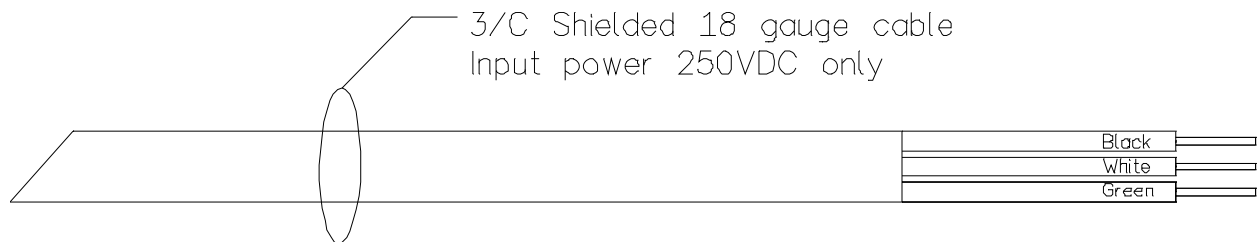
Electrical Connection for non-dimming Luminaires

For supply voltages of 120/277VAC or 480VAC:



When using VAC, Black is hot, White is Neutral, Green is Ground
NOTE: Ground all shields

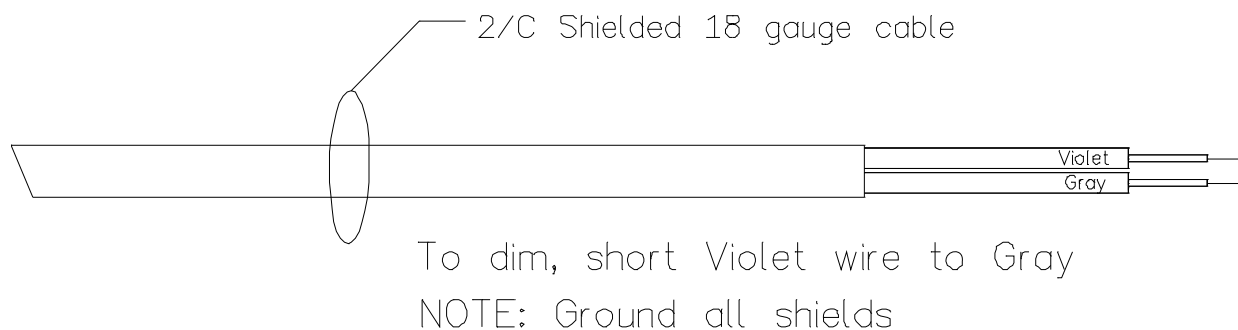
For supply voltage of 250VDC:



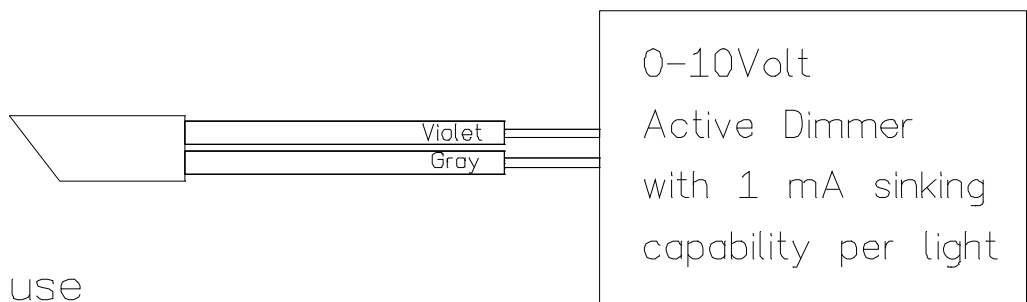
When using 250 Volt DC, use Black (NEG) and White (POS)
Green is Ground
NOTE: Ground all shields

Electrical Connection for Luminaire voltages with 0-10V dimming option only

Method 1: Short wires together to produce dimming



Method 2: Connect a 0-10 volt active dimmer

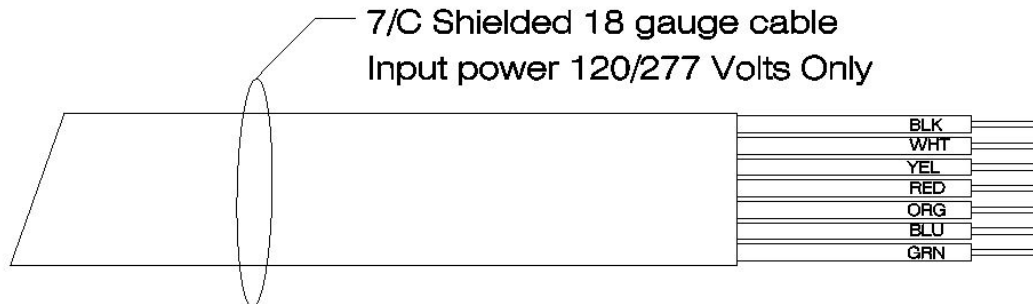


To dim, use
0-10V Active Dimmer with
1 mA sinking capability per light



IS0598-02
01/16

Electrical Connection for Luminaires with AC dimming option only



33% Brightness: Apply power to BLK (HOT) and WHT (Neutral)
67% Brightness: ALSO APPLY power to RED (HOT) and YEL (Neutral)
100% Brightness: ALSO APPLY power to BLU (HOT) and ORG (Neutral)
NOTE: Ground all shields

2. Maintenance

WARNING: To avoid personal injury, disconnect power from the Luminaire and allow fixture to cool down before performing maintenance.

The TOMAR TLUX Highbay Luminaire contains no internal field-replaceable or user-serviceable parts.

Periodic Maintenance:

For best photometric performance, periodically clean the exterior of the bottom glass cover (and uplights if included) with a damp, non-abrasive, lint-free cloth. If needed, use mild soap or liquid cleaner. Do not use abrasive, strong alkaline or acid cleaner as damage may occur. Do not use any sealer, wax or similar product on the Luminaire as damage may occur.

During any maintenance, inspect the exterior of the luminaire to ensure cooling fins are free of obstruction, excessive dirt, dust or contamination. Clean with a non-abrasive cloth if needed.

TOMAR Electronics
2100 W Obispo Ave Gilbert, AZ
www.tomar.com