

# TOMAR ELECTRONICS INC.

## *MULTISOUND SIREN MODULE*

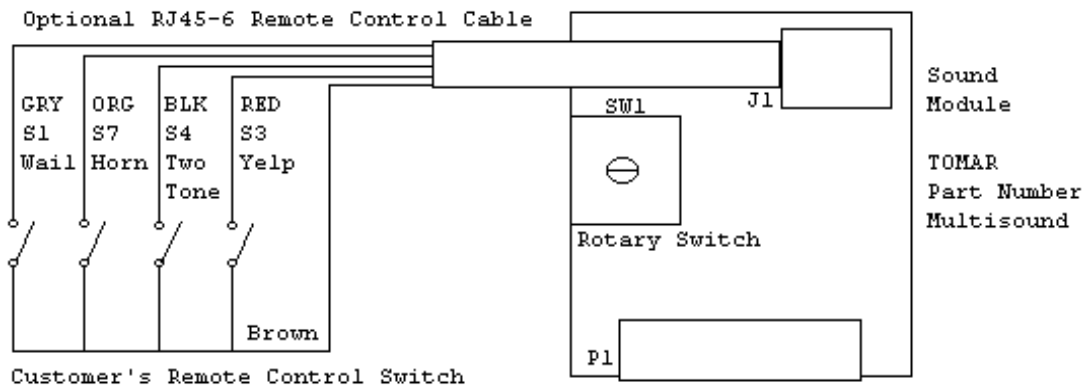
### Installation and Operating Instructions

#### SAFETY INSTRUCTIONS

WARNING - Failure to follow all safety precautions and instructions may result in property damage, serious injury or death to you or others. ALWAYS disconnect power to the Power Alarm Siren Amplifier prior to installation or adjustment of the Multisound Siren Module.

#### INSTALLATION

The Tomar® Multisound Siren Module is designed to operate with the Tomar® Model 1000-120, Model 1100-250 Power Alarm Siren Amplifier and the optional Channel Sound Expander. The Multisound Siren Module is easily installed by plugging the module into the Power Alarm Siren Amplifier. The desired single tone operation is selected by setting the Rotary Switch to the corresponding number. An optional RJ45-6 Remote Control Cable may be purchased, which will allow for the remote operation of four of the sound selections (please see charts below).



#### ROTARY SWITCH OPERATION

Use the Rotary Switch to select the number corresponding with the desired single tone. The factory default is S3. Then simply apply power to the Power Alarm Siren Amplifier. For your safety, ALWAYS turn off the Power Alarm Siren Amplifier during installation of the Multisound Siren Module or when adjusting the Rotary Switch.

Standard Rotary Switch Single Tone Selection Chart

Switch Selection	Operation
0	Selects Remote Control Operation
1	8 Tone Parade Sequence
2	S2 - Wail - Conventional Siren
3	S3 - Yelp - Rapid Siren
4	S4 - Two Tone - Alternating
5	S5 - Whoop - Ascending Low-High
6	S6 - Yeow - Descending High-Low
7	S7 - Horn - Steady
8	S8 - Beep - Slow Intermittent Horn
9	S9 - Stutter - Rapid Intermittent Horn

RJ45-6 Remote Control Cable Selections

Remote Control	Operation	Priority
Orange Wire	S7 - Horn - Steady	1*
Black Wire	S4 - Two Tone - Alternating	2
Red Wire	S3 - Yelp - Rapid Siren	3
White Wire	S1 - Wail - Manual Siren	4

\* Priority 1 is the highest priority

#### REMOTE CONTROL OPERATION

When using the optional RJ45-6 Remote Control Cable the Rotary Switch must be in the 0 position, then the desired tone may be selected remotely by connecting the Brown wire with one or more wires. Please note that Horn will override Two Tone, Yelp and Wail. Two Tone will override Yelp and Wail. Yelp will override Wail.

**TOMAR ELECTRONICS INC. Gilbert, Arizona 85233 Phone 800-338-3133 Fax 800-688-6627**