

MODEL 1100-250 POWER ALARM 250 VDC \pm 20% INSTALLATION AND OPERATING INSTRUCTIONS

INSTALLATION

The Power Alarm is a solid state electronic siren with field adjustable volume and tone selection. The Power Alarm has been designed to operate from ungrounded or grounded industrial 250 VDC Power Systems.

The separately purchased model 1001 speaker may be mounted remotely from the Power Alarm base. The installer should connect the speaker to the Power Alarm with #14 AWG wire minimum to obtain full performance. Wiring length should be limited to 200 feet. Longer wire lengths require increased wire gauge.

The Power Alarm metal cabinet must be grounded and may be mounted in either a horizontal or vertical orientation.

OPERATION

Apply power to activate the Power Alarm.

Caution: The 1100-250 control logic has 250 VDC potential on case. Use an insulated screwdriver when adjusting volume or selecting sound tones.

SPECIFICATIONS

Operating Voltage: 180 VDC or 300 VDC, 250 VDC Nominal
Input Current: 0.25 Amp @ 250 VDC
Output: 116db. Sound Pressure Level at 10 feet
Output Impedance: 8 Ohms
Output Protection: The output is fully protected for shorts or opens in the speaker wiring.

SERVICE AND REPAIR

Please contact the factory for service or repair.

TOMAR Electronics, Inc.

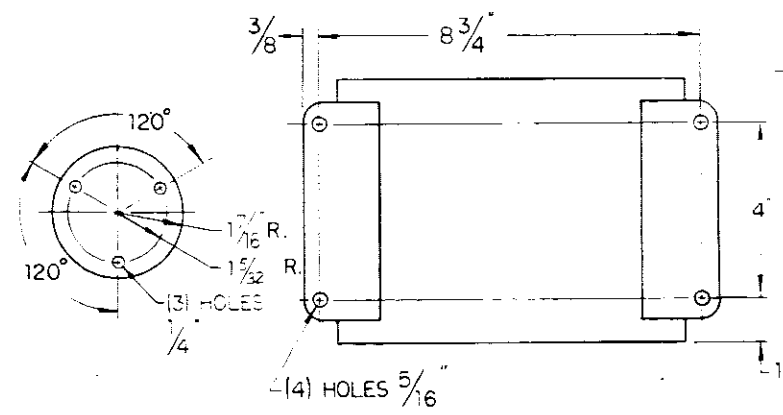
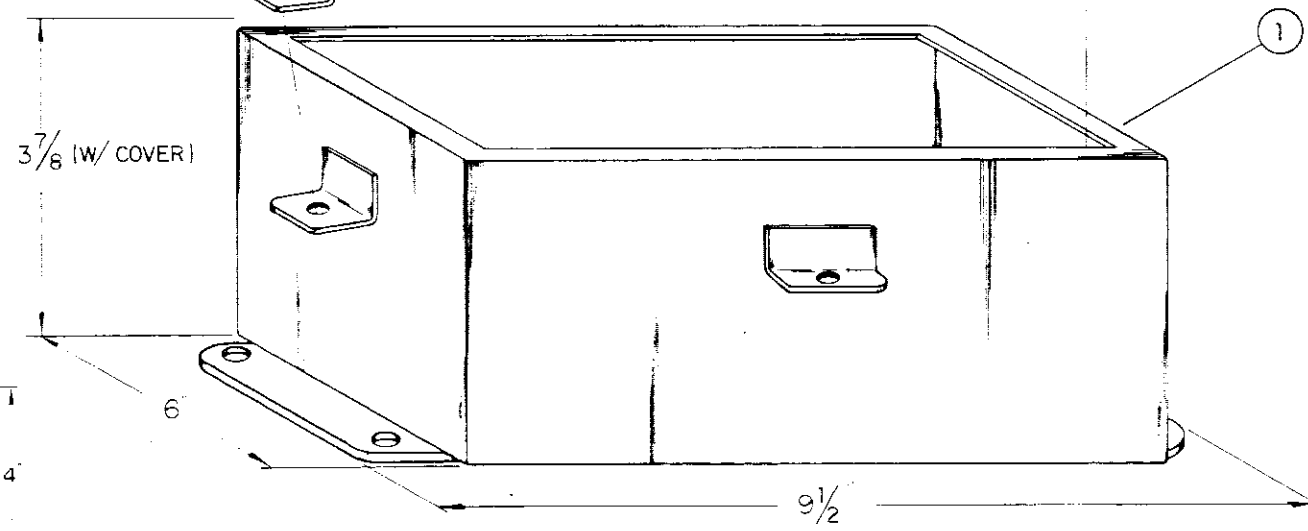
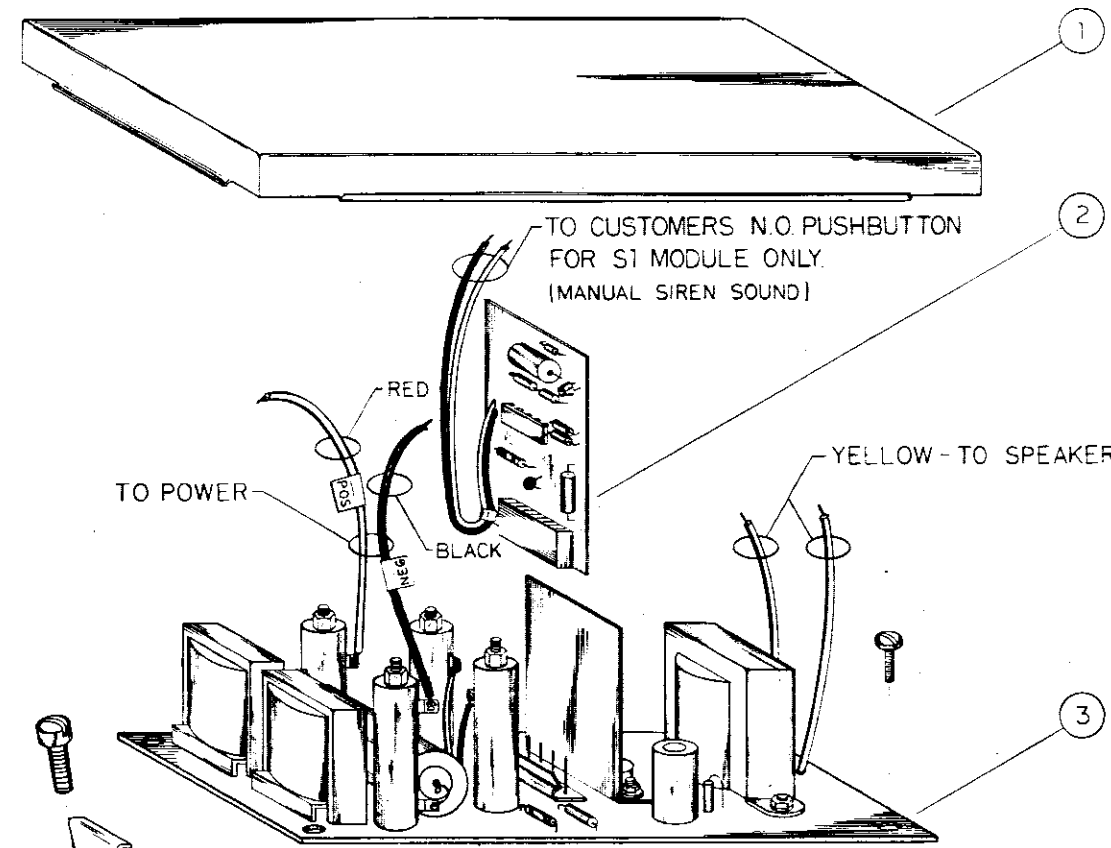
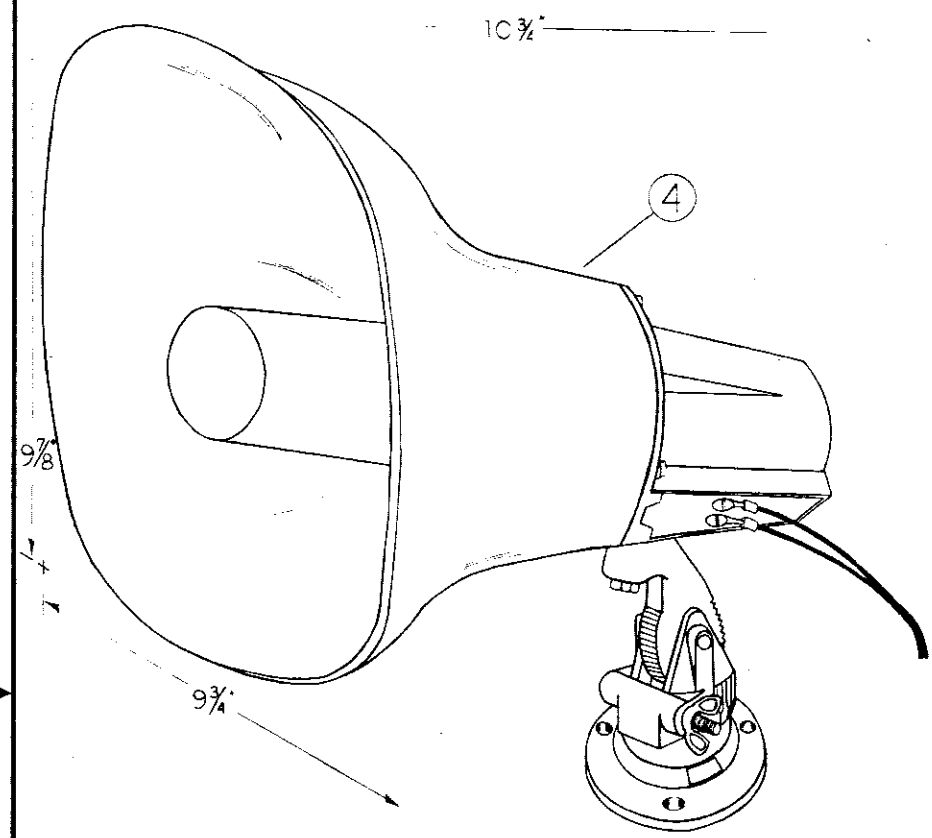
2100 West Obispo

Gilbert, Arizona 85233

(480) 497-4400 (800) 338-3133

FAX (480) 497-4416 (800) 688-6627

E-mail: sales@tomar.com www.tomar.com



BOTTOM VIEW OF SPEAKER AND POWER SUPPLY BOX FOR LOCATION OF MOUNTING HOLES. NOTE: THIS PORTION OF DRAWING 1/2 SCALE.

PARTS LIST				
MARK	QUANTITY	DESCRIPTION	PART NUMBER	CODE
1	1	NEMA 4 ENCLOSURE PAINTED STEEL	1100-ENC	H39
2	1	SOUND MODULE (SPECIFY ONE) MANUAL SIREN WAIL YELP TWO-TONE WHOOB YEOW HORN BEEP STUDDER TWO-TONE/HORN	S1 S2 S3 S4 S5 S6 S7 S8 S9 S4/S7	PC12 PC64 PC65 PC66 PC67 PC68 PC69 PC70 PC71 PC18
3	1	MODEL 1100 POWER ALARM PRINTED CIRCUIT BOARD FOR OPERATION ON 250 VDC	1100-250 PCB	PC37
4	1	SPEAKER 8 OHM 30 WATT	1001	

FP71

DRAWING RELEASE RECORD			DRAWN		CHECKED		ENGR. APPROVAL	
REV.	DATE	DESCRIPTION						
1	6-9-81	ADDED S1 SOUND MODULE	J.D. CARRELL					
2	11/10/82	CHANGED SPEAKER						
3	6/25/85	ADDED S4/S7 SOUND MODULE						

TOMAR ELECTRONICS INC. 304 S. ROCKFORD DR. TEMPE, ARIZONA 85281	
MODEL 1100 POWER ALARM OUTLINE DRAWING AND PARTS LIST	
SCALE: FULL	TOMAR
DRAWN: J.D. CARRELL 5-7-81	TEMPE, AZ.
CHECKED:	DRAWING NO.
ENGINEER:	1100
APPROVED:	
JOB NO:	