



BExCS110-05

Omni-directional Alarm Horn & Xenon Beacon

Tomar Electronics flameproof BExCS110-05-R combination alarm horn sounder and Xenon strobe beacon with omni-directional horn is suitable for Zone 1, 2, 21 & 22. Approved to IECEx, ATEX, Ex EAC and INMETRO standards.

The radial horn on the compact BExCS110-05-R distributes the audible warning signal omnidirectionally allowing the visual signal to be orientated optimally. The alarm horn & Xenon beacon may be connected from a single power supply for simultaneous operation or from separate supplies for independent operation. The BEx range features enclosures manufactured from corrosion proof, marine grade copper free LM6 aluminum with a chromate and powder coat finish. All models have two M20 cable entries, large termination areas containing in & out terminals and an ingress protection of IP66/67.

- Omni-directional sound output.
- Marine grade, corrosion proof, LM6 aluminum enclosure
- Automatic synchronization on multi-beacon & sounder systems.
- Beacons can be set to 'flip-flop' alternating mode with other units on multi-beacon systems.
- Xenon tubes mechanically secured against shock & vibration
- Very large termination area.
- Dual M20 cable entries - adaptors available.
- Stopping plug included.
- Ratchet adjustable stainless steel 'U' bracket.
- Reverse polarity diode fitted.
- IP66/67 ingress protection.
- 120 candela effective light intensity.
- UV stable PC, field replaceable, color lens filters.

Approvals

- IECEx KEM 10.0025X
- IEC 60079-0 : 2011
- IEC 60079-1 : 2007-4
- IEC 60079-31 : 2013
- ATEX KEMA 01ATEX2223X
- EN 60079-0 : 2012 + A11
- EN 60079-1 : 2007
- EN 60079-31 : 2014
- TR-CU Ex EAC certificate: RU C-GB.AA71.B.00109
- Inmetro certificate: 16-IEEx-0034

Coding

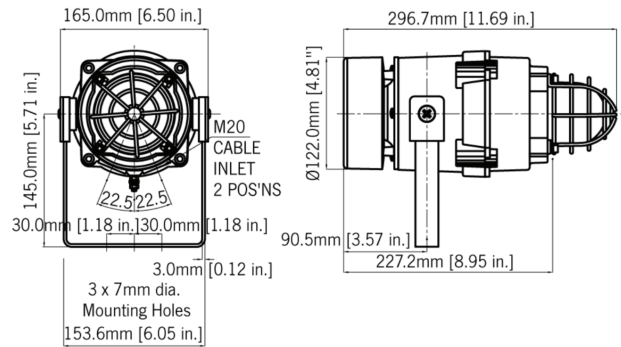
- II 2G Ex d IIB T5 Gb Ta. -50°C to +40°C
- II 2G Ex d IIB T4 Gb Ta. -50°C to +70°C
- II 2D Ex tb IIIC T110°C Db Ta. -50°C to +55°C
- II 2D Ex tb IIIC T125°C Db Ta. -50°C to +70°C



Specifications

Sounder/Horn

Item	Description
Maximum output	115dB (A) @ 1 meter [106dB (A) @ 10ft/3m]
Nominal output	110dB (A) @ 1m +/- 3dB - Tone 2 [101dB (A) @ 10ft/3m]
No. of tones	32 (UKOOA / PFEER compliant)
No. of stages	3
Volume control	Max. 110dB (A); Min. 72dB (A) - Tone 2
Effective range	100m/328ft @ 1 KHz
Voltages DC	12vdc; 24vdc; 48vdc
Voltages AC	115vac; 230vac
Storage switching	Negative or positive



Beacon

Item	Description
Energy	5 Joules (5Ws)
Flash rate	1Hz (60 fpm)
Peak Candela	500,000 cd - calculated from energy (J)
Eff. Intensity	250 cd - calculated from energy (J)
Peak Candela	39,463 cd* - measured ref. to I.E.S.
Eff. Intensity	120 cd* - measured ref. to I.E.S.
Lens colors	Amber, Blue, Clear, Green, Magenta, Red & Yellow
Tube life	Emissions are reduced to 70% after 8 million flashes

*All candela data is representative of performance with clear lens at optimum voltage

General

Item	Description
Ingress protection	IP66/67
Enclosure material	Marine grade copper free LM6 Aluminum
Enclosure finish	Chromate & powder coated
Horn material	High impact UL94 V0 & 5VA FR ABS (Red)
Cable entries	Dual M20 ISO (one stopping plug incl.)
Terminals	0.5 - 2.5mm ² (20-14 AWG)
Enclosure volume	<2 liters
Line monitoring	Blocking diode included EOL Min. 500 Ohm 2w, or 3k3 Ohm 0.5w resistor or diode (DC versions) can be fitted
Temperature range	-50° to +70°C (-58°F to +158°F)
Relative humidity	90% at 20°C [68°F]
Weight	4.80kg/10.56lbs AC: 5.00kg/11lbs

SPL data +/-3dB (A), Candela with clear lens - at optimum voltage

Ordering Information

Please specify lens color when ordering: Amber, Blue, Clear, Green, Magenta, Red, Yellow

Model	Alarm Sounder Voltage	Current	Xenon Beacon Voltage	Current
BExCS110-012-(lens color)	12 VDC +/- 25%	195mA	10-14 VDC	750mA
BExCS110-024-(lens color)	24 VDC +/-25%	265mA	20-28 VDC	300mA
BExCS110-048-(lens color)	48 VDC +/-25%	130mA	42-54 VDC	180mA
BExCS110-115-(lens color)	115 VAC +/-10% 50Hz/60Hz	110mA	+/- 10%	140mA
BExCS110-230-(lens color)	230 VAC +/-10% 50Hz/60Hz	56mA	+/- 10%	55mA

2 x M20 cable entries; brass stopping plug. 304 (A2) Stainless steel mounting bracket and lens guard

32 onboard selectable tones:

Please visit our web site for full description and sound files

BExCS110-05

Omni-directional Alarm Horn & Xenon Beacon