



4375S STROBE

Hazardous Location Warning Light



Tomar Electronics model 4375S hazardous location strobe now features a shatter resistant Lexan™ lens. The efficient lens optics, coupled with the high-power 8 joule xenon strobe tube produce 200 Effective Candela (ECP) and 800,000 Peak Candlepower.

The model 4375S is UL Listed and CSA Certified for Class I, Division 2, Groups A, B, C and D; Class II, Division 2, Groups F, and G; and Class III.

Typical applications include manufacturing plants, chemical and petrochemical processing facilities, sewage treatment plants, off-shore and dockside installations, agricultural, food processing, industrial, mining and marine facilities.

The 4375S is available in 12-74 VDC or 120-240 VAC. It is NEMA 4X rated and constructed to IP 66. It is water-tight, dust-tight, and corrosive resistant. It can be operated in any orientation, and features a 3/4" ISP pendant mount.

- Class I, Div. 2 Groups A, B, C, & D
- Class II, Div. 2 Groups F & G
- 10,000 hour strobe lamp
- two year warranty on power supply
- one year warranty on lamp
- Available in 6 lens colors
- UL Listed
- CSA Approved
- NEMA 4X
- UL 1598 impact resistant lens



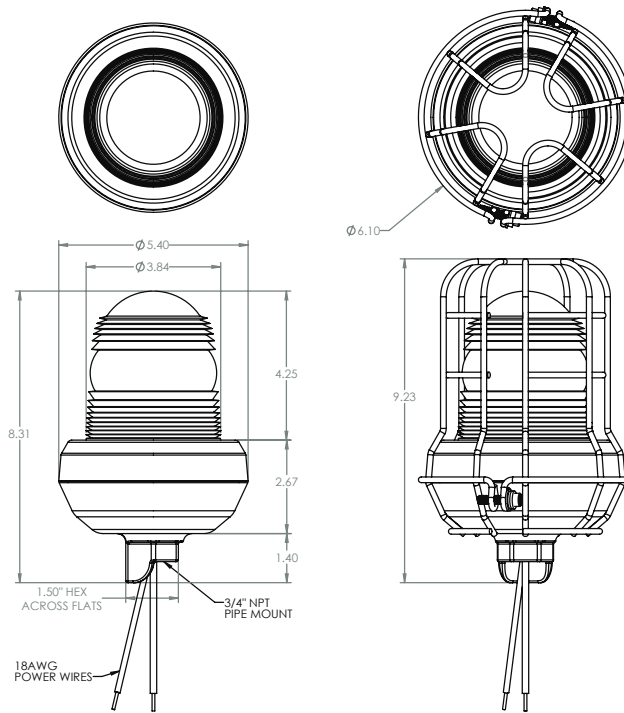
Ordering Information

| Model | Description | Voltage |
|-------------|------------------------------|-------------|
| 4375S-120-x | Hazardous location AC strobe | 120-240 VAC |
| 4375-1274-x | Hazardous location DC strobe | 12 - 74VDC |
| 4375 Guard | Optional Lens Guard | |

x=lens color

Please specify lens colors and model number when ordering.

Available colors are Amber, Red, Clear, Blue, Green and Purple.



| Item | Description |
|----------------------|--|
| Light Output | 200 ECP |
| Lamp Type | 2001 Xenon strobe lamp |
| Lens Type | 4375-L-Color (please specify lens color) |
| Voltage and Amperage | 12-74 VDC draws 1.2 Amps at 12 VDC; 590mA at 24 VDC; 370mA 48 VDC; 190mA at 80 VDC 120-240 VAC draws 200mA at 120 VAC; 600mA at 240 VAC |
| Temperature Code | T2 |
| Temperature Rating | -55° C to 66° C |
| Power Supply | Output 15 Watts (single flash) 8 joules per flash. 800,000 Peak Candlepower** |
| Flash Rate | 80 flashes per minute \pm 10% |
| Size and Weight | 8.5" tall x 5.4" dia. x 3.2 lbs (215mm x 137mm x 1.45kg) |
| Inrush Current | 1.75 Amps at 24 VDC |

Architect and Engineer Specifications

Hazardous Location visual signaling beacon shall be Tomar model number series 4375 or approved equal. The beacon shall be UL Listed Class I, Division II, Groups A,B,C, and D; for use in specified hazardous locations as classified by the National Electric Code. The light source shall be a plug-in field replaceable single-flash xenon strobe lamp. The warning signal must have built-in RFI filters to protect against radio interference and spike voltages. Voltage ranges shall be 12-74VDC and 120-240VAC. The warning light shall be rated NEMA 4X and have a polycarbonate lens.

*ECP (Effective Candlepower) is the intensity that would appear to an observer if the light were burning steadily.

**Peak Candlepower is the maximum light intensity generated by a flashing light during its light pulse.



4375 Guard

4375S STROBE

Hazardous Location Warning Light