



4375L LED

Hazardous Location Warning Light



Tomar Electronics 4375L offers Steady-burn and Single or Double Flash mode in a single unit. The operating modes can be easily configured with either internal DIP switch, or external wire selection. Tomar 4375L features efficient lens optics coupled with an LED array with light output which rivals that of a strobe.

The model 4375L is UL Listed and CSA Certified for Class I, Division 2, Groups A, B, C, and D; Class II, Division 2, Groups F and G; Class III.

Typical applications include manufacturing plants, chemical and petrochemical processing facilities, sewage treatment plants, off-shore and dockside installations, agricultural food processing, industrial, mining, and marine offshore facilities.

The 4375L is available in 120-240 VAC model, or 24 VAC/DC. It is NEMA 4X rated and constructed to IP66. It is water-tight, dust-tight, and corrosive resistant. It can be operated in any orientation, and features a 3/4" ISP pendant mount.

- Class I, Div. 2 Groups A, B, C, & D
- Class II, Div. 2 Groups F & G
- 5-year warranty
- NEMA 4X
- UL Listed
- CSA Certified
- 100,000 Hours LED
- 6 lens colors
- UL 1598 Impact resistant poly-carbonate lens
- Available lens guard



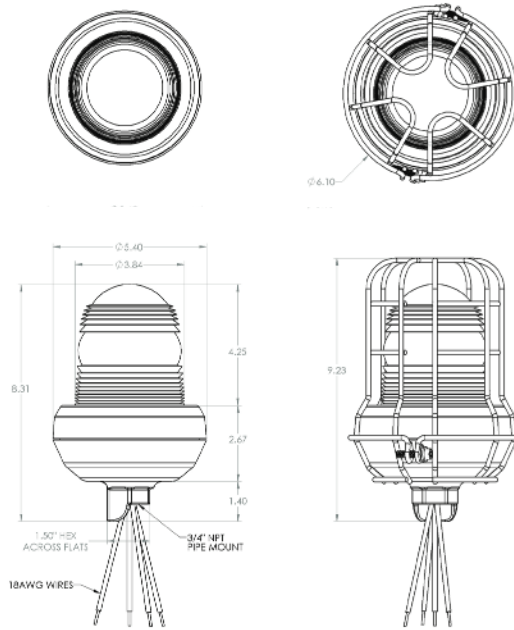
Ordering Information

Model	Description	Voltage
4375L-120-240-x	Hazardous location VAC LED	120-240 VAC
4375L-24-x	Hazardous location AC/DC LED	24 VAC/DC
4375 Guard	Optional Lens Guard	

x=lens color

Please specify lens colors and model number when ordering.

Available colors are Amber, Red, Clear, Blue, Green and Purple.



Specifications

Item	Description												
Lamp type	LED array												
Flash rate	80 FPM Single flash 40 FPM Double flash Steady on mode												
Voltage and Amperage	<table border="1"> <thead> <tr> <th>Steady mode</th> <th>Single flash</th> <th>Double flash</th> </tr> </thead> <tbody> <tr> <td>24 VDC 500mA</td> <td>370mA</td> <td>400mA</td> </tr> <tr> <td>120 VAC 180mA</td> <td>130mA</td> <td>100mA</td> </tr> <tr> <td>240 VAC 120mA</td> <td>110mA</td> <td>80mA</td> </tr> </tbody> </table>	Steady mode	Single flash	Double flash	24 VDC 500mA	370mA	400mA	120 VAC 180mA	130mA	100mA	240 VAC 120mA	110mA	80mA
Steady mode	Single flash	Double flash											
24 VDC 500mA	370mA	400mA											
120 VAC 180mA	130mA	100mA											
240 VAC 120mA	110mA	80mA											
Inrush Current	1.75 Amps @ 24 VDC 2.0 Amps @ 120 VAC												
Size and Weight	5.5" tall x 5.4" dia. x 3.2 lbs (215mm x 137mm x 1.45kg)												
Operating Temperature	-55 to 66 °C												



4375 Guard

Architect and Engineer Specifications

Hazardous Location visual signaling beacon shall be Tomar model number series 4375L or approved equal. The beacon shall be UL Listed and CSA approved Class I, Division II, Groups A, B, C, and D; Class II, Div. 2, Groups F & G; Class III for use in specified hazardous locations as classified by the National Electric Code. The light source shall be LED array. The warning signal must consume no more than 2 Amps inrush current. Voltage ranges shall be 24 VDC /AC and 120-240 VAC. The warning light shall be rated NEMA 4X and have a field-replaceable polycarbonate lens assembly. Lens shall meet UL 1598 impact resistance standards.

4375L LED

Hazardous Location Warning Light