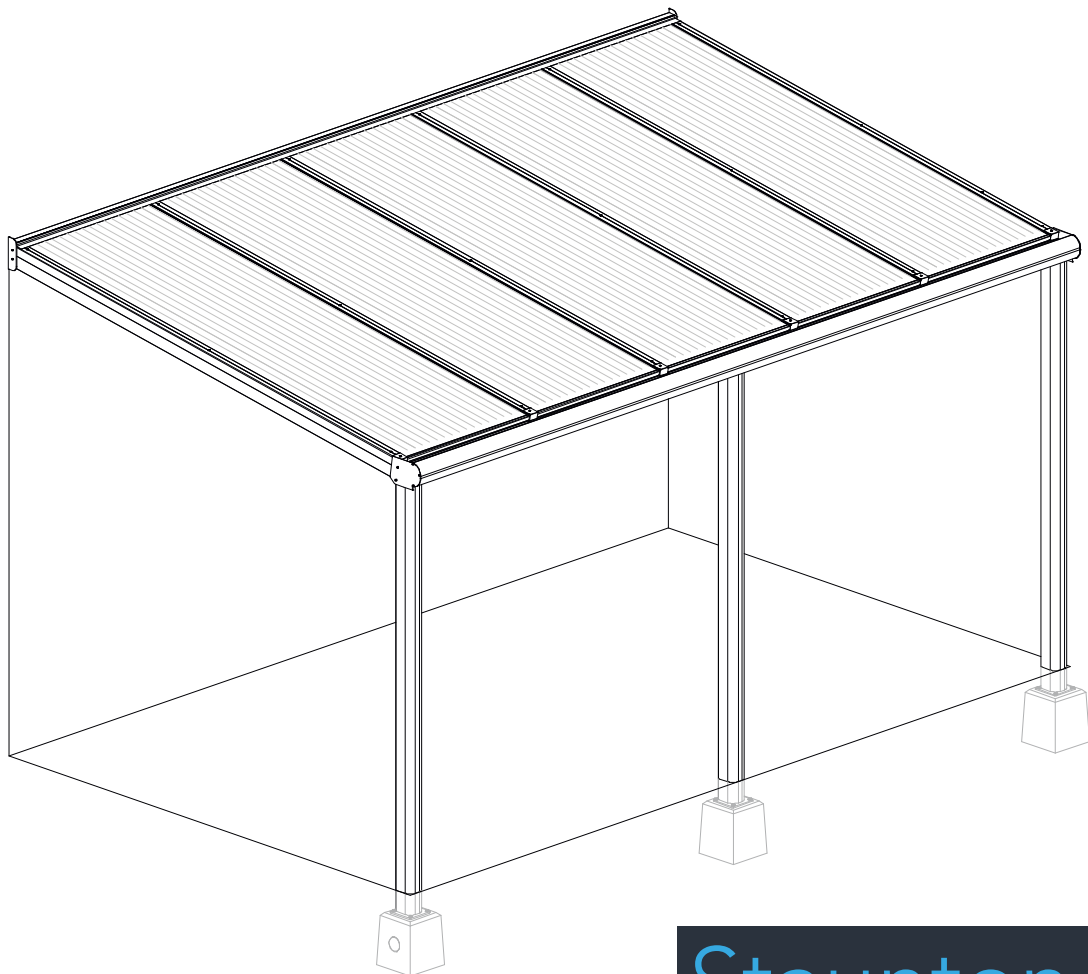


Assembly instructions

Version: February 2022



the **Staunton**

thegardenspace.co

Contents

1.	Introduction	3
2.	Safety precautions and warnings	3
3.	Product description	5
4.	Parts overview	6
4.1	Exploded view	6
4.2	Delivery inspection	6
4.3	Parts list	7
5.	Preparation for assembly	9
5.1	Conditions for assembly	9
5.2	Inspection of tools and accessories	11
5.3	Measuring & determining dimensions	11
	5.2.1 Height adjustments	12
	5.2.2 canopy projection	12
	5.3 Joining canopies	13
6.	Assembly	15
6.1	Mounting the wall profile	15
6.2	Pre-installing the gutter	17
	6.2.1 Installing the leaf catcher in the gutter	17
	6.2.2 Attaching the decorative profile to the gutter	18
6.3	Installing posts, gutter and end beams	19
	6.3.1 Installing posts	19
	6.3.2 Installing the gutter	21
	6.3.3 Installing the end beams	22
6.4	Installing the middle beams	24
6.5	Preparing and installing the roofing sheets	27
6.6	Finishing	31
7.	Maintenance	35
8.	Disposal of waste	35
9.	Warranty conditions	35
10.	Contact	35

KEEP THIS MANUAL IN A SAFE PLACE FOR FUTURE USE!

We also refer you to our General Terms and Conditions of Sale and Delivery which are available on request. The Garden Space Co accepts no liability for any damage or injury resulting from a failure to carefully follow the instructions in this manual or exercise due caution during transport, assembly, use and maintenance of the canopy. As a result of our policy of continuous product improvement, certain product details may differ from what is described in this manual. For this reason the instructions provided only serve as a guideline for installation of the product this manual describes. This manual has been compiled with the utmost care, but The Garden Space Co cannot be held responsible for any errors in this manual or the consequences thereof. Furthermore, all rights are reserved and no part of this manual may be reproduced in any way whatsoever.



1 Introduction

Congratulations on the purchase of your canopy!

Before you can start enjoying your canopy it must be assembled properly. This manual provides clear instructions for all the steps you must complete for correct assembly of your canopy. We recommend that you take the time to read the entire manual before you begin assembly. Check whether you have received all the necessary parts before you begin assembly. For your safety, follow all the applicable instructions. This also guarantees the safety of the installed roof. If you should have any questions, please feel free to contact us.



This manual should be kept in a safe, dry and shady place. In the event of damage or loss, the user can obtain another copy of this manual from thegardenspace.co

2. Safety precautions and warnings

Important:

Please read the safety precautions and warnings before assembling the canopy.



- During assembly, carefully follow the instructions and guidelines as described in this manual. Never change the order of the steps to be performed. If any aspect of the assembly procedure is unclear, please contact us. We reserve the right to make technical changes without written notice.
- We normally recommend that the canopy must be assembled by at least two people (qualified technicians/authorized installers) working together.
- Check the delivery immediately upon receipt. In the event of damage or an incomplete delivery please contact us immediately.
- The materials must be stored in a dry, ventilated area, not exposed to direct sunlight.
- Open the packaging carefully. Make sure that you do not damage the product.
- To prevent damage to your canopy, place the parts on a smooth, clean surface. Place the profiles on a flat surface, protected from sun and rain.
- Adding or removing parts, the use or installation of materials other than described in this manual, may adversely affect the safety of the canopy and is therefore strongly discouraged!
- Cordon off the assembly location so that others are kept at a safe distance.
- Always place a ladder on a firm, stable surface.
- Always wear the correct protective clothing (work gloves, dust mask, safety glasses, shoes with non-slip soles, etc.) during installation or servicing.
- Mount the system against a firm, flat wall and on a flat and stable foundation. Ensure that the wall and the ground are clean and dry.

2. Safety precautions and warnings



- **Never stand on the polycarbonate sheets.** The polycarbonate sheets are strong, but insufficiently resistant to point loads. Do not walk on them!
- Make sure all fasteners are properly tightened. Check this regularly.
- Make sure you have used sealant on the canopy so it is completely waterproof.
- You must maintain and clean your canopy at least once a year. During this yearly maintenance make sure all fasteners are properly tightened.
- Ensure that you consult a suitably qualified gas engineer if you are placing the canopy near or above a boiler flue point.

3. Product description

The aluminium canopy type Staunton is composed of posts, gutter profile, wall profile, beams, polycarbonate roofing sheets, cover strips and the necessary assembly materials.

As standard, you have the choice between a round or classic decorative gutter and half-round or square posts.

The Garden SPACE Staunton canopy is available as standard in widths of 4060, 5060, 6060 or 7060 as a single section; there is no limit to the number of sections that can be joined end to end using relevant joining pieces. The roof can have a projection of 2500, 3000, 3500, 4000 or 6000 mm.

Details

Colours	RAL9001, RAL7024 or RAL9016
Gutter	Round or classic
Posts	Half-round or square
Roof covering	Polycarbonate (Opal/Clear/Ultra-clear/Solar control)
Width (mm)	4060/5060/6060/7060* or a multiple thereof.
Projection (mm)	2500/3000/3500/4000/6000**

* A Staunton canopy with a width of 7060mm is not available in RAL9001.

** 6000mm projection only available with opal or clear polycarbonate. In order to realize this projection, you must reinforce the beams yourself for the correct application. The standard 6m beams supplied by us are not reinforced. We are not liable for incorrect use of our products.

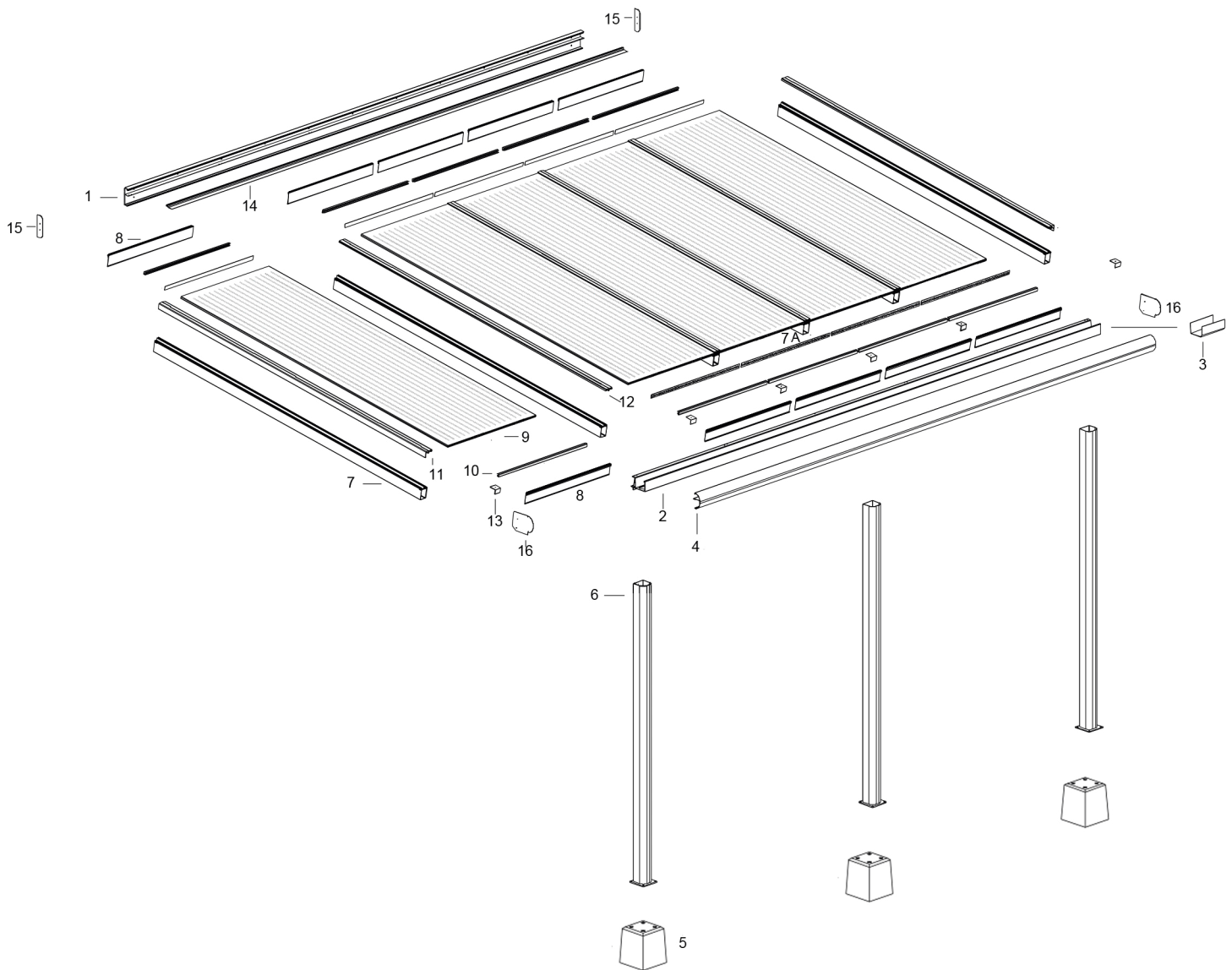
An engineer or similarly qualified person should be engaged to discuss support requirements based upon location, potential wind uplift etc. Additional posts and box sections can be used to create a mid support where needed.

A Staunton canopy can be installed on any existing foundation or stone surface if it complies. For added strength or when there is no good foundation present, a concrete base can be used. These concrete bases can be easily installed out of sight under the posts with the supplied bolts.



4. Parts Overview

4.1 Exploded view



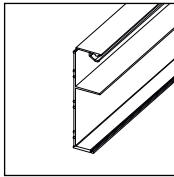
4.2 Delivery Inspection

The canopy shown in this manual is a 5x3 metre Staunton with the posts on concrete bases. This merely serves as an example. The type and number of components supplied depends on your order.

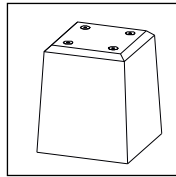
Note: Always carefully check the delivered items against the accompanying delivery note to ensure that the quantity and quality are correct. Any visible defects must be reported in writing within 7 days of delivery.



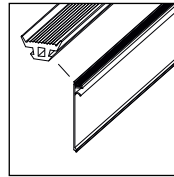
4.3 Parts list



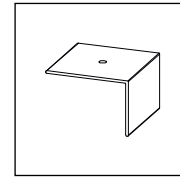
01. Wall profile



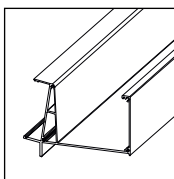
05. Concrete base (Option)



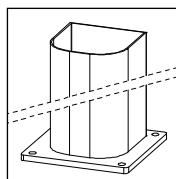
08. Trim click strip



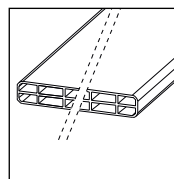
13. 2 x Sheet stopper



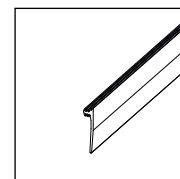
02. Gutter



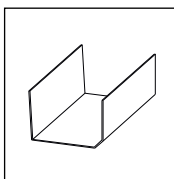
06. Post round with or without base



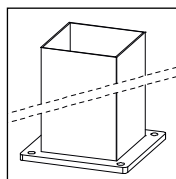
09. Polycarbonate sheet 980 mm



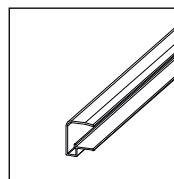
14. Wall profile rubber



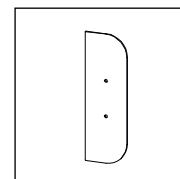
03. Gutter extension



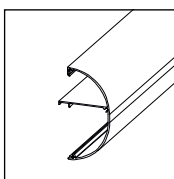
06A. Post square with or without base



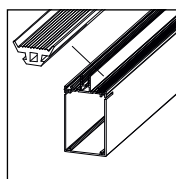
10. Condensation profile long
10A. Condensation profile short



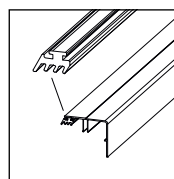
15. 2 x Side cover wall profile



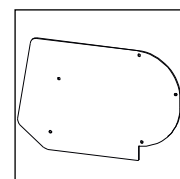
04. Round decorative profile



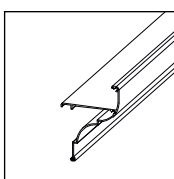
7. Side beam
1x sealing rubber



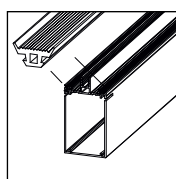
11. End cover strip
1x sealing rubber



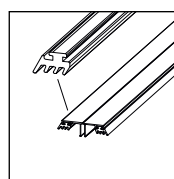
16. 2 x Side cover gutter profile



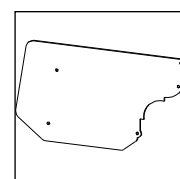
04A. Classic decorative profile



7A. in between beam
2x sealing rubber

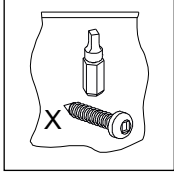


12. Top cover strip
2x sealing rubber

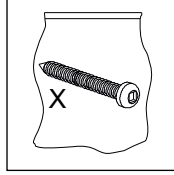


16A. 2 x Side cover gutter profile Classic

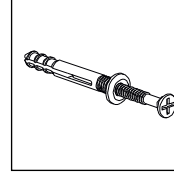
4.3 Parts list



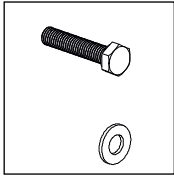
1x bag of screws
short 4.2x16 + bit



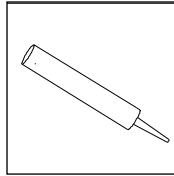
1x bag of
screws long
4.2x40



1x set frame
fixing screws



Hex bolt M8x40
Washer



1x coloured
sealant

5. Preparation for assembly

5.1 Conditions for assembly

- Note: The optimal processing temperature for the sealant is +5 °C to +40 °C.

Ground & façade

- A good flat stable surface is required for construction of the canopy.
- The location where the roof will be placed must be construction-ready and free of obstacles (garden furniture, flower boxes, etc.) so installers can perform their work without hindrance.
- Any obstacles, including utility lines (such as power cables, etc.), roots and debris, must have been removed from the ground.
- The façade must be free of sun shades, etc.
- The place where the wall profile will be placed must be firm, even and flat.

Dimensions & slope

- The canopy roof should be installed with a slope of 15.7cm per metre. The height of the wall profile and the passage height (distance from bottom of gutter to the ground) are completely dependent on each other and determined by this slope.
- The maximum length of the roof is 4 metres. However, keep in mind the requirements concerning the maximum free span and number of posts.

Posts & joined canopies

- Maximum distance between the posts is 4 metres.
- When canopies are joined, a post is always placed under the coupling.

Attachments at walls

- Due to expansion of the materials, the canopy may not be placed tightly between two walls; there must be a gap of 1.5 mm per metre of width of the canopy.
- Posts cannot be placed against a wall if using a concrete base block as the block is wider than the post. The welded base plate at the bottom of the post will also stop the post from being flush to the wall. To butt against a wall, a plain ended square post is needed and a concealed U foot plate can be used with suitable fixings. Alternatively the welded foot plate can be cut at the side joining the wall and additional holes drilled in the remaining flanges to ensure 4 suitable fixing points.

Screws and drilling

- Garden Space supplies special 4.2x19 mm and 4.2x40 mm stainless steel screws with the canopy.
Note: Pre-drill a hole for each screw with a 3 mm drill bit! If you continue to turn them after they are tight, the screw head may break off. It is recommended that you screw carefully, with the torque limiter on your drill set properly.

Sealant

- Garden Space supplies sealant selected for the waterproof sealing of aluminium to aluminium or to most common construction materials, such as walls, concrete, etc. Follow the instructions on the tube.
- **Note:** This sealant is not suitable for sealing the polycarbonate sheets. If you need to seal your sheets, because you have a rainwater discharge (down-spout) pipe run through it for example, we have special transparent sealant in our range.



5.1 Conditions for assembly

Rubber seals

- A canopy is equipped with rubber seals. Before installation, the rubber seals for both the aluminium cover strips and the beams must be cut to length.
- If the rubber seals are deformed, they can be straightened again with a little heat, from a hot air heater or hair dryer for example.

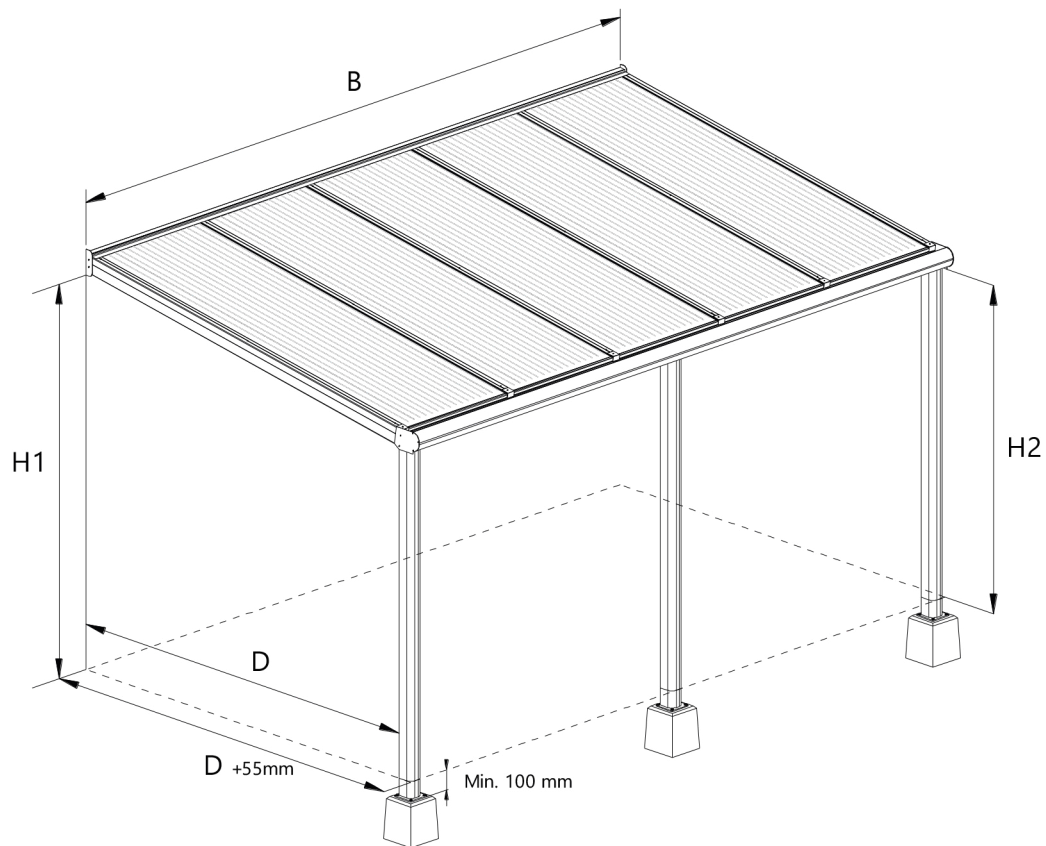
Remove protective film

- It is recommended that the protective film be removed from the aluminium parts and the roofing sheets at the last possible moment, to prevent damage. When mounting the roofing sheets, however, the edges of the protective film must be pulled back a few centimetres towards the middle of the sheet so the film does not get stuck in the profiles; otherwise it will be difficult to remove later.

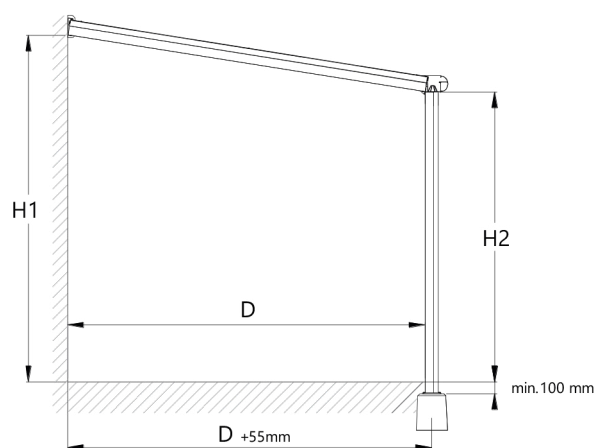
Warranty is void if the Staunton canopy is not assembled and installed in accordance with the instructions.



5.2 Measuring & determining dimensions



- B: Length of wall profile, gutter profile and decorative profile.
- H1: Height from ground to bottom of wall profile.
- H2: Height from ground to bottom of gutter profile (= passage height).
- D: Distance from back of wall profile to inside of post
- D + 55 mm: Distance from back of wall profile to centre of rainwater discharge



5.2.1 Height adjustments

A canopy is designed for a slope of 15.7cm per metre. All the static strength calculations, as well as all sizes and dimensions in this manual, are based on this.

The height of the wall profile and the passage height (distance from bottom of gutter to the ground) are completely dependent on each other and determined by this slope. However, these heights can be adjusted very easily while maintaining the slope.

If you are going to install your canopy based on the standard dimensions, you can use the dimension table below.

Projection	Beam length	Distance from back of wall profile to inside of post (D)	Height from ground to bottom of gutter profile (H2)	Height from ground to bottom of wall profile (H1)
2.5 metre	247 cm	244 cm	250 cm	288 cm
3 metre	297 cm	293cm	250cm	296cm
3.5 metre	347cm	343cm	250cm	304cm
4 metre	397 cm	392 cm	250 cm	311 cm
6 metre	597cm	590cm	250cm	342cm

If you choose to place the wall profile lower or make the passage height of the gutter lower, you must:

Subtract the same number of centimetres from both of these measurements. So if your wall profile is mounted 30 cm lower, you must also shorten your posts by 30 cm.

If you want to reduce the passage height, you can easily shorten the length of the posts by making a square cut. However, you must then also mount the wall profile the same distance lower on the wall. The same applies if you decide to mount the wall profile lower on the wall.

Calculation example 1: You have a roof with a length of 300 cm and you want to reduce the standard passage height from 250 cm to 220 cm. You therefore shorten your posts by 30 cm or you place the posts 30 cm in the ground, so the bottom of your gutter is at a height of 220 cm. Your wall profile must therefore be lowered by 30 cm, which means that the bottom of the wall profile must be placed at $296 \text{ cm} - 30 \text{ cm} = 266 \text{ cm}$.

Calculation example 2: You have a roof with a length of 400 cm and you want to place the standard wall profile 25 cm lower on the wall, at 286 cm instead of 311 cm. You must therefore also place the bottom of the gutter profile 25 cm lower, which means that you either have to cut 25 cm off your posts, reducing their length to 225 cm ($250 \text{ cm} - 25 \text{ cm}$) or you have to place your posts 25 cm in the ground.

5.2.2 Canopy projection

The basic dimensions of a canopy are approximate. The exact dimensions from the rear of the wall profile to the inside of the upright can be found in the table above. Example: A 3 metre projection canopy is not exactly 3 metres. Check the table above for exact sizes in centimetres.

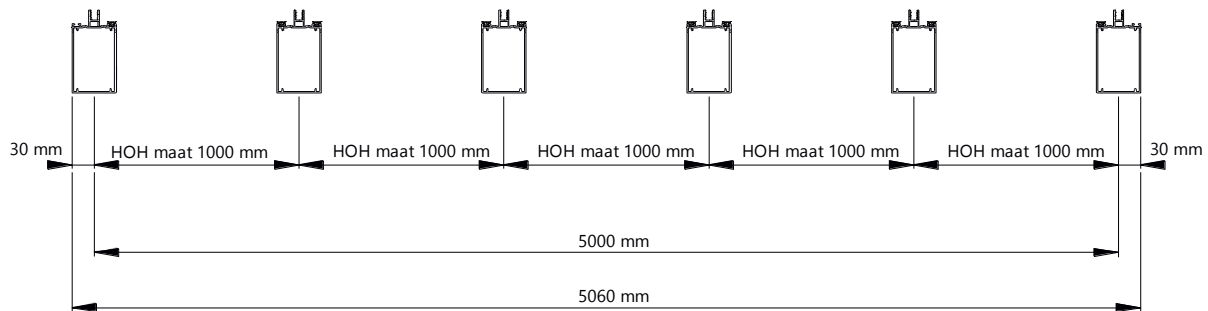


5.3 Joining canopies

There is no limit to the width in which the Staunton can be delivered. This is because the canopies can be joined end to end.

In this case the gutter profile, wall profile and decorative profile are supplied in multiple lengths of 4060, 5060, 6060 or 7060 mm.

The centre-to-centre distance between the roof beams is 1000 mm (1 metre). A roof with five one-metre sections has a total width of 5060 mm. The extra 60 mm is the distance from the centre of the beam to the outside of the beam, which is 30 mm; this extra width is at both ends, for a total of 60 mm.



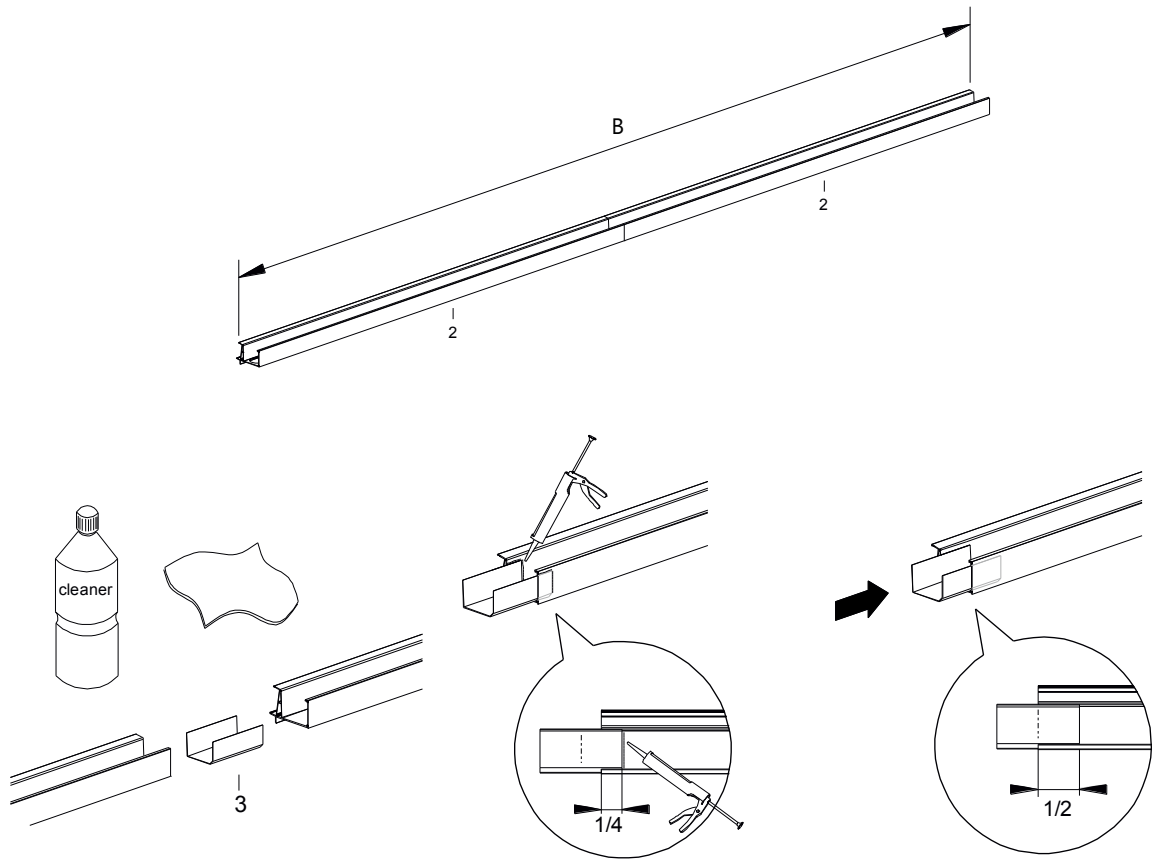
When standard size sheets are used, the total width of joined roofs must therefore also end with 60 mm, e.g. 8060, 9060, 10060, etc.

So if you have ordered a roof with a width of 9060 mm, the delivery will consist of one 5060 mm gutter section and one 4060 mm gutter section. Together this is 9120 mm. You must ensure that the width ends with xx60, so these profiles must be shorted by a total of 60 mm before installation. This can be done by removing 30 mm from both sections: 5030 mm + 4030 mm = 9060 mm. You can also choose to shorten one profile by 60 mm. 5060 mm + 4000 mm = 9060 mm.

This shortening applies to the wall profile, gutter profile and decorative profile.

After this shortening the further assembly is identical to that for a normal roof.

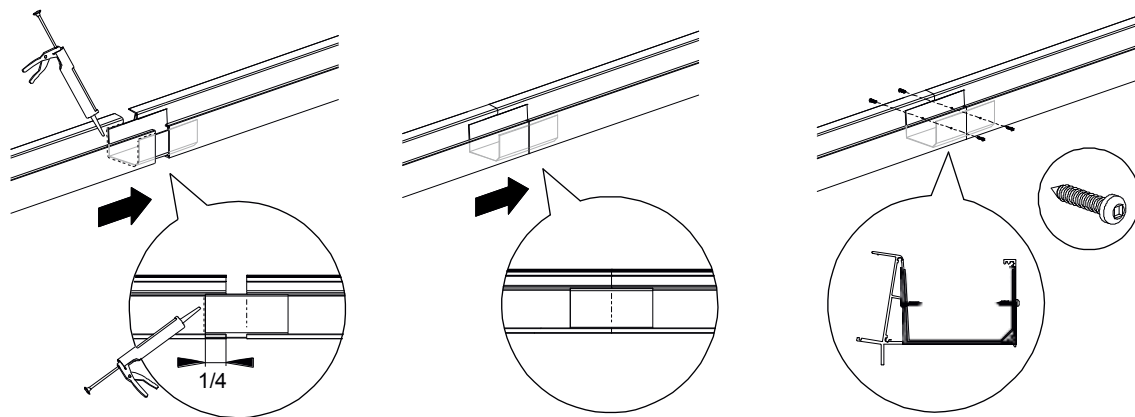
It is recommended that you join the gutter sections with the supplied gutter extension before installation. The installation steps are shown below:



1. Clean and degrease the gutter and the gutter extension.

2. Insert the gutter extension $\frac{1}{4}$ of the way into the gutter and put sealant on the inside edge.

3. Now press the gutter extension further until it is half way into the gutter.



4. Insert the second gutter $\frac{1}{4}$ of the way into the other side of the gutter extension and put sealant on the edges.

5. Now press the second gutter completely over the gutter extension to form a seamless joint between the gutters.

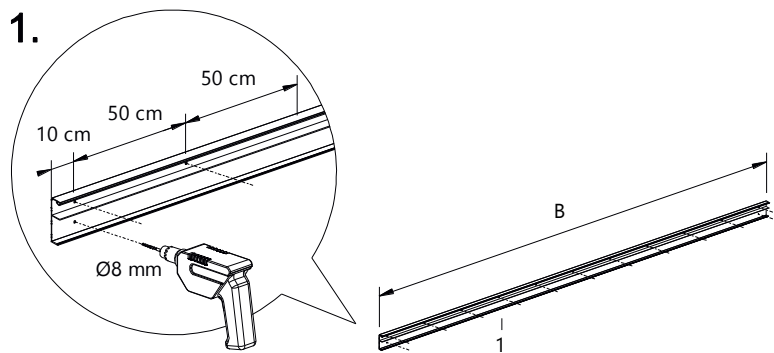
6. The gutter extension can now be secured with the short stainless steel screws in the chamber of the gutter and on the front side under the decorative profile. Put sealant on the assembly so it is smooth and waterproof!

6. Assembly

6.1 Mounting the wall profile

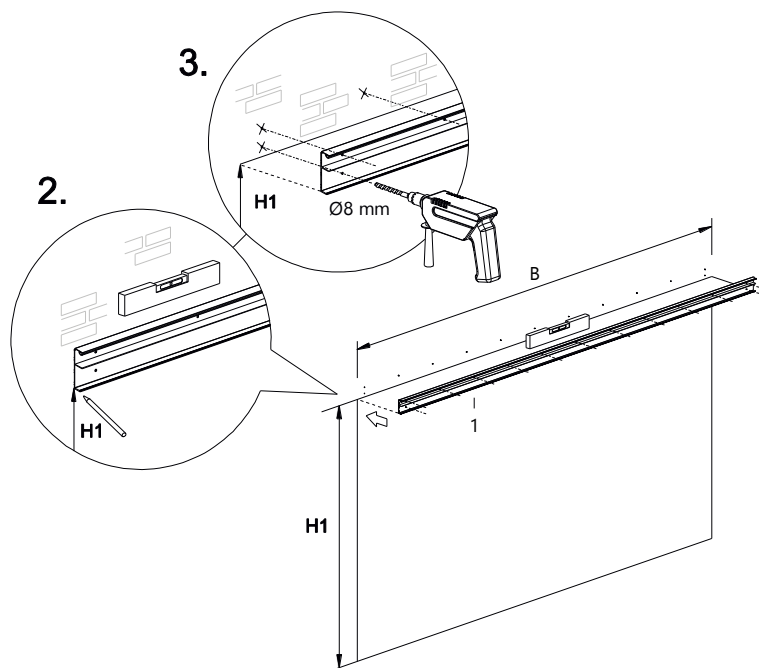
If the wall profile does not need to be shortened, you can mount it straight away. Otherwise you must first cut the wall profile to the desired length. Do not place the supplied rubber strip in the wall profile yet; this rubber strip is fitted after mounting.

1. Drill holes in the wall profile at 50 cm intervals. Begin approximately 10 cm from one end and finish approximately 10 cm from the other end. Use a metal drill bit with a diameter of 8 mm.

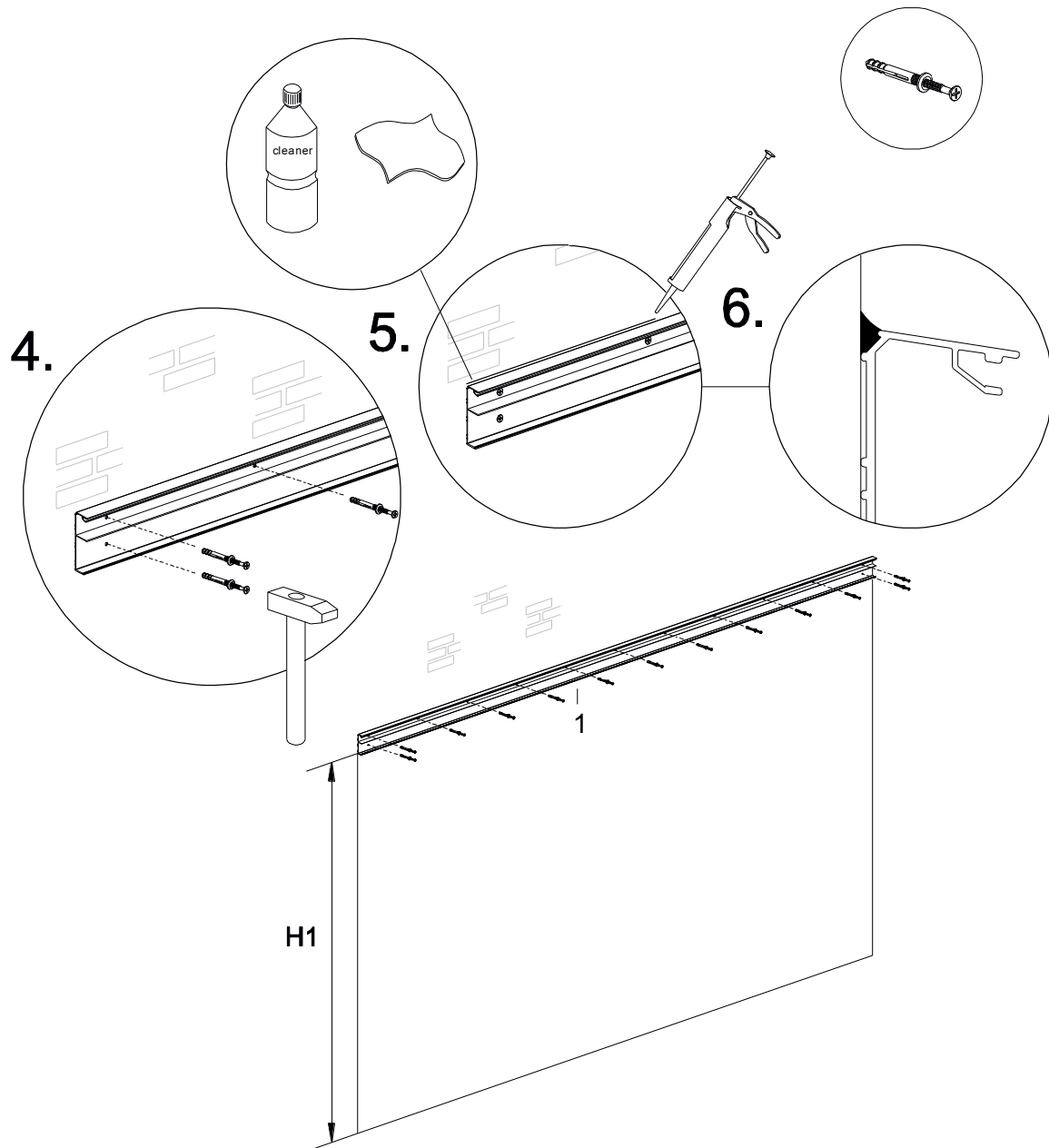


2. Now mark the wall with a line to indicate where the bottom of the wall profile should be. Place the wall profile on the line and then mark the holes that you pre-drilled in your wall profile.

3. Now use a concrete drill bit with a diameter of 8 mm to drill the holes. Make sure the wall profile is level.



4. Fasten the wall profile with the supplied frame fixing screws (these should only be used if appropriate for the wall material). Use the right mounting materials for the situation
5. Degrease the top edge of the wall profile along the wall using a suitable frame cleaner.
6. Apply sealant to the top edge of the wall profile (between the wall and the wall profile) to make a good seal. Strike off the sealant to make it smooth and waterproof.



6.2 Pre-installing the gutter

If the standard gutter length is correct, you can pre-install it straight away. If not, you must first cut the gutter profile and decorative profile to the desired length.

6.2.1 Preparing drainage

1. There are several options for drainage with a Staunton canopy.

Option 1

Simply cut one or several holes in the gutter above one or several of the posts and allow the water to drain out through the posts.

Option 2 (recommended)

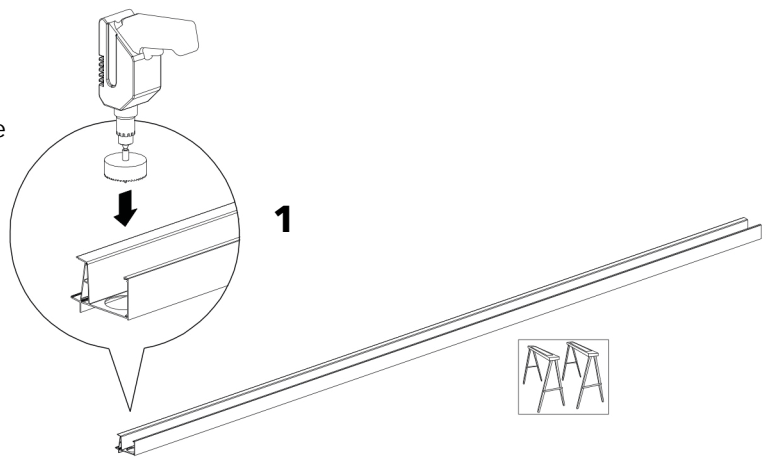
Use a downpipe outlet and fit into a relevant section of the gutter (clear of a post) and attach a downpipe to the underside, running to a relevant rainwater waste point on the property.

Option 3

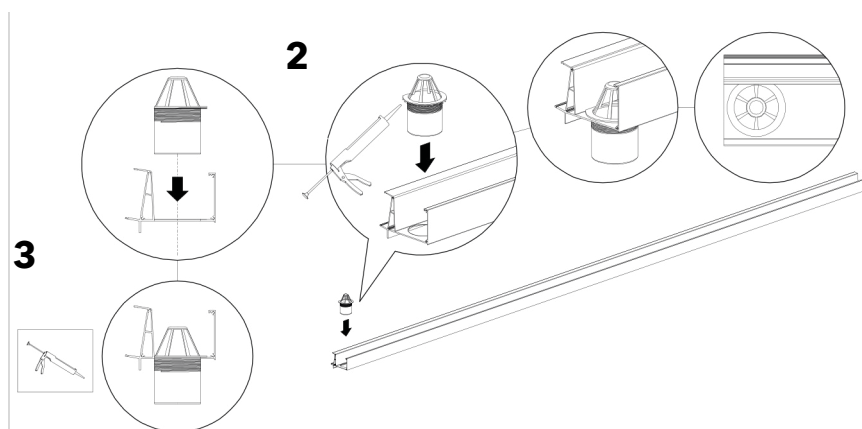
Use a downpipe outlet and fit into a section of the gutter above a post, then concealing the downpipe within the post and bringing it through the post (by cutting a hole where relevant) even potentially under the floor level to allow connection into an underground drain network.

If you are connecting to a downpipe then install the downpipe outlet at this point as follows:

1. Place the gutter flat and firm on a table or saw horses. Mark the location where you wish the downpipe to connect to and cut a suitable hole for the spigot of the downpipe outlet with a hole saw

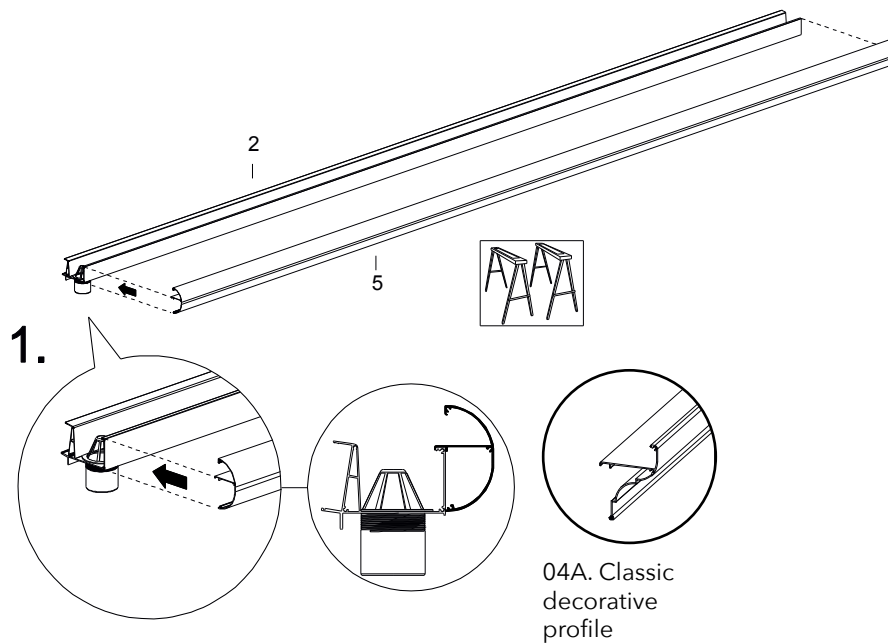


2. Apply sealant to the underside of the downpipe outlet
3. Insert the downpipe outlet into the gutter and press firmly to ensure a seal is made

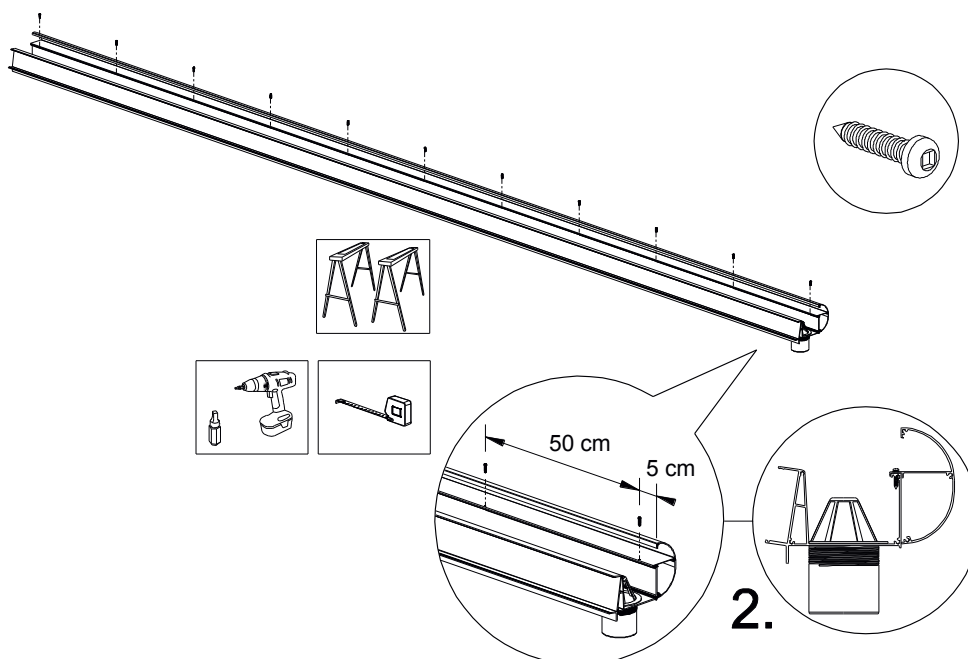


6.2.2 Attaching the decorative profile to the gutter

1. Place the gutter flat and firm on a table or sawhorses. Place the decorative profile on the top of the gutter.



2. Secure the decorative profile with the supplied short 19 mm stainless steel screws. Begin approximately 5 cm from the end and place a screw approximately every 50 cm. The last screw should be placed approximately 5 cm from the end.



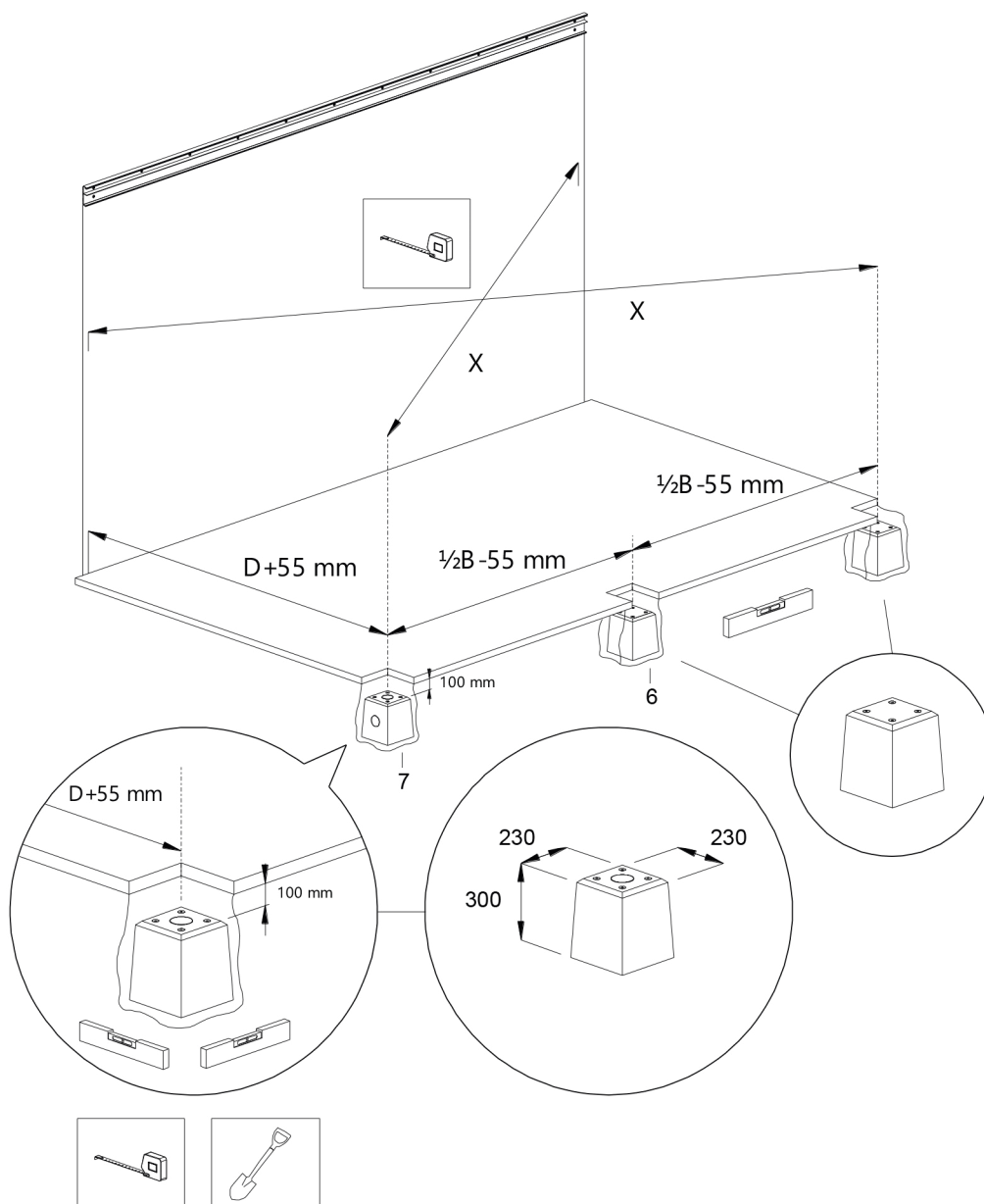
6.3 Installing posts, gutter and end beams

6.3.1 Installing posts

If you have a sufficiently strong ground base then the posts can be bolted to the ground using suitable anchor fixings.

If using plain ended posts then these can be fixed in the ground at a minimum of 500mm below the surface, bedded into a suitable cement-based mixture to hold firm. Ensure they are square and placed at the correct distance from the wall beam.

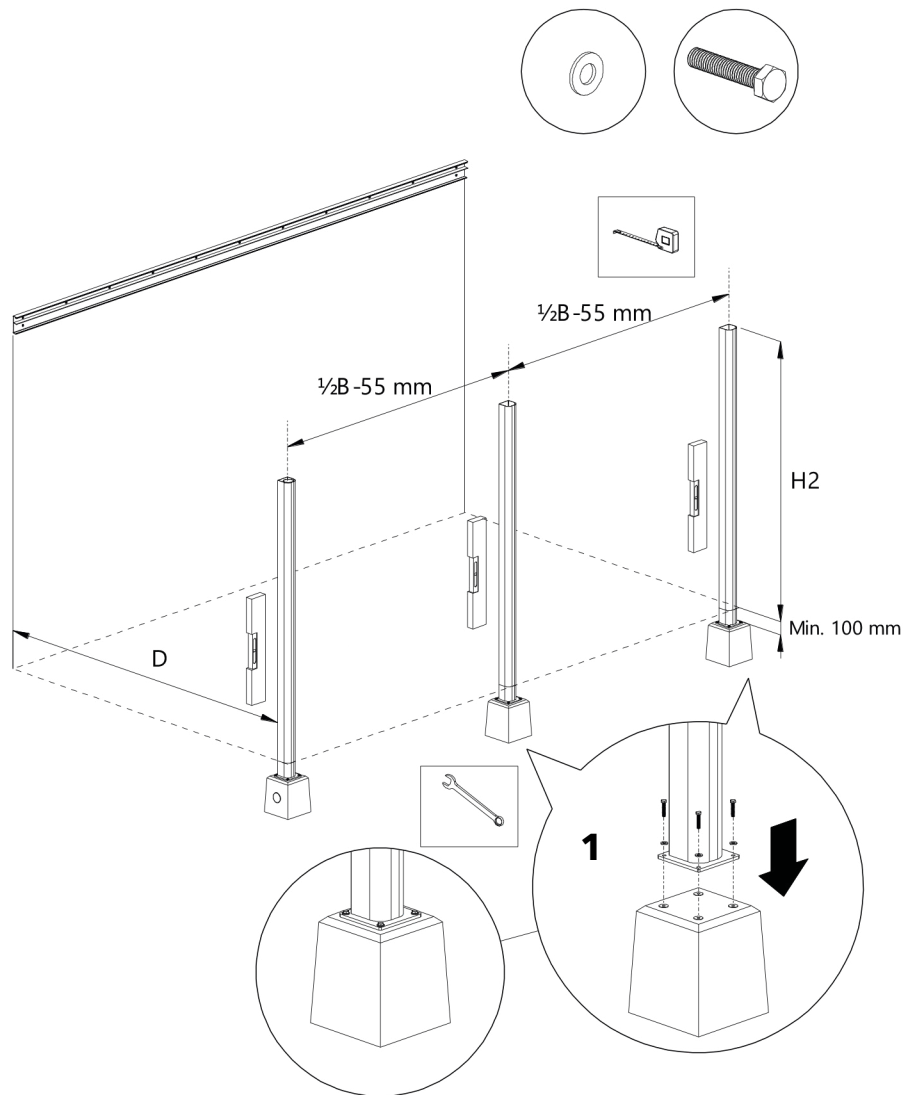
The recommended method of installation is using the concrete foundation blocks and this method is described below but the key principles would apply to the two aforementioned methods also.



Note: If you shorten any of the posts, take into account the depth of the concrete bases and the bottom end of the post.

1. Bolt the posts onto the concrete bases with M8 x 40 hex bolts and washers.

Note: If you are running a downpipe inside one of the legs then make a relevant hole for it in the leg and insert the parts running inside the leg before you bolt the leg to the concrete block.

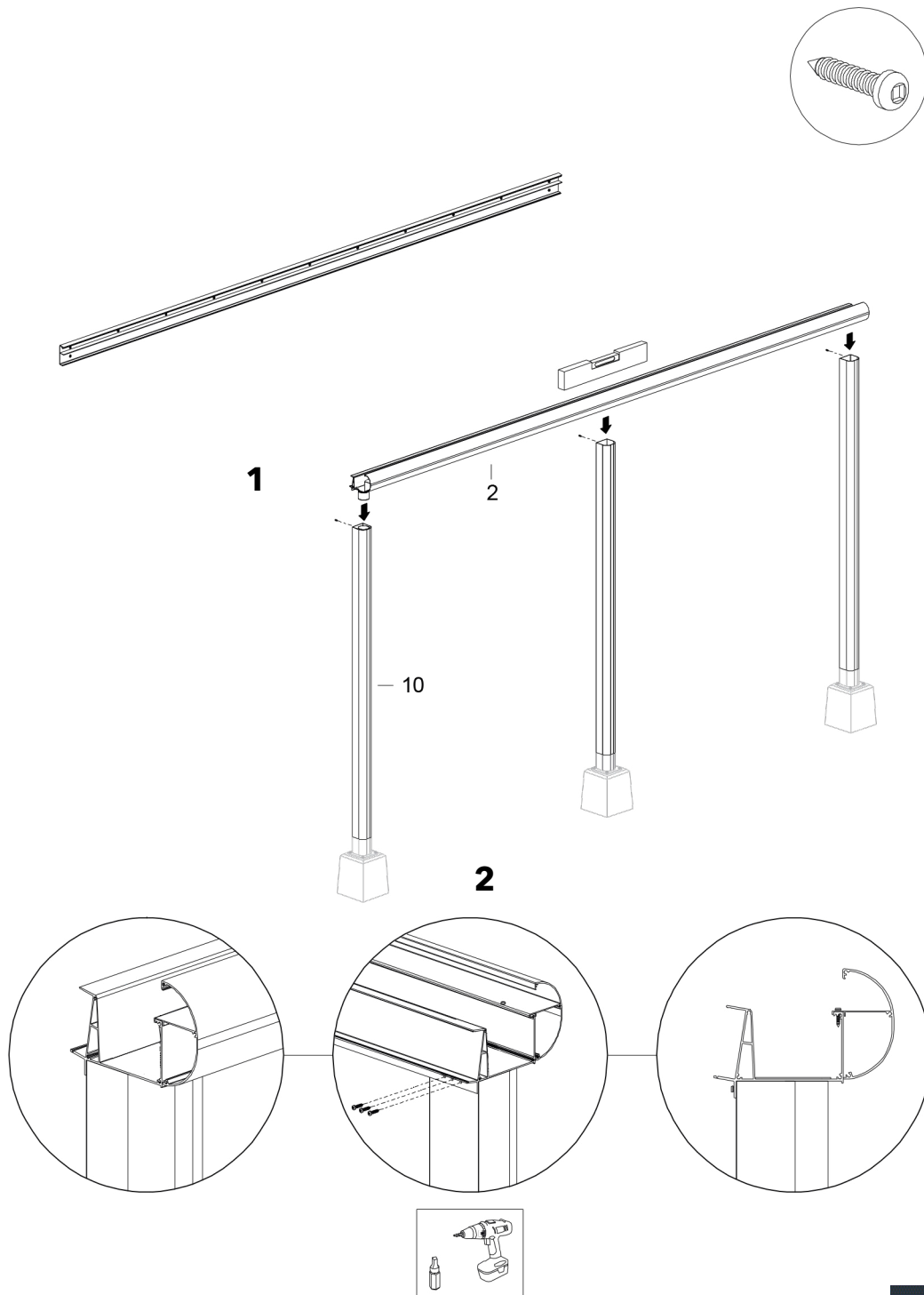


6.3.2 Installing the gutter

1. Now place the pre-assembled gutter profile on the posts. If you have a downpipe in one of the posts then ensure it lines up with the downpipe outlet.

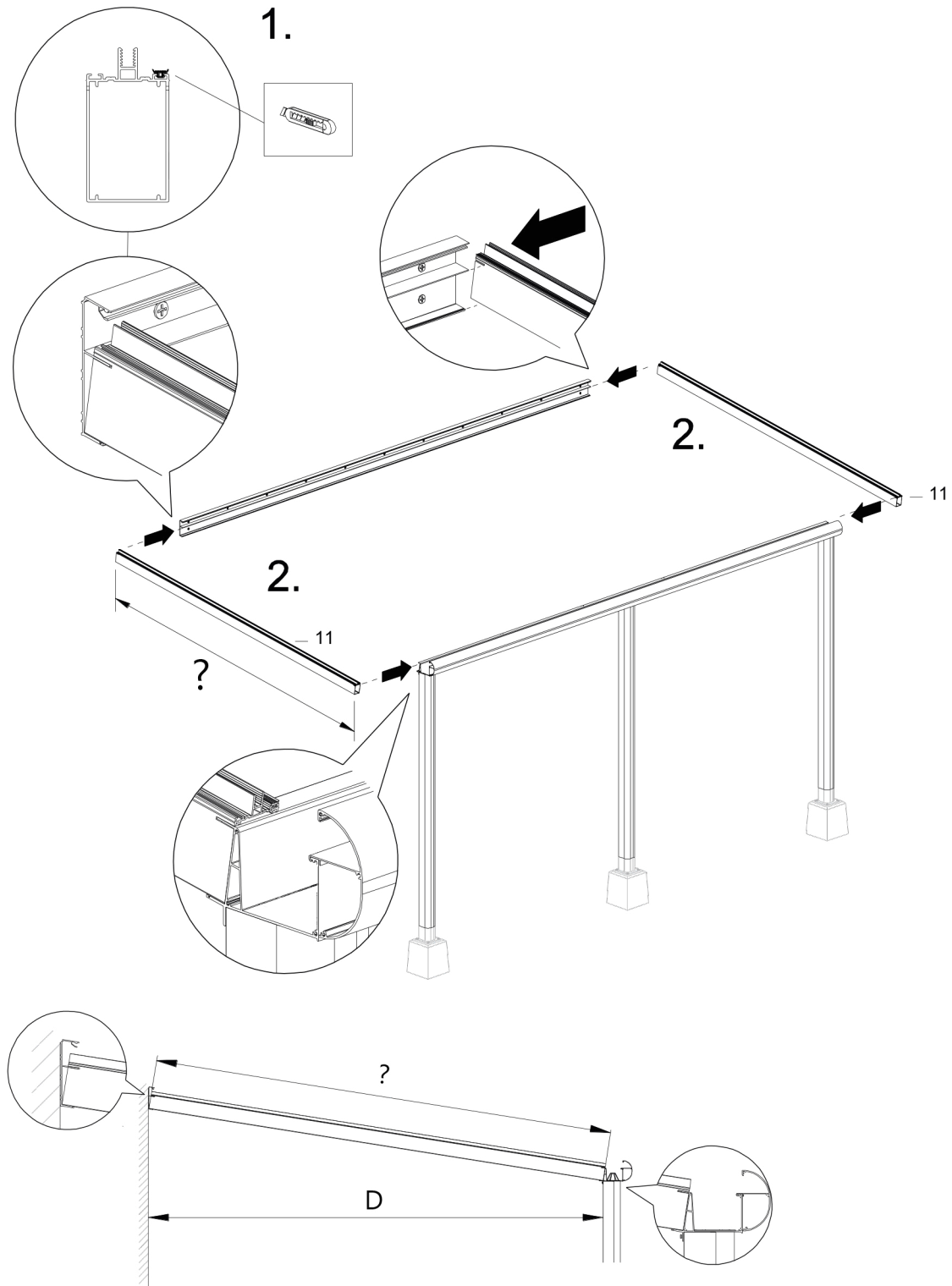
2. Screw the posts to the gutter with one short screw through the lower lip of the gutter profile and into the post. This way you can adjust the position of the gutter later, if necessary.

Note: ultimately the posts will be secured with three screws. Therefore the first screw should not be placed in the middle of the post.



6.3.3 Installing the end beams

1. Carefully cut the pre-fitted rubber seals in the end beams to size.
2. Place the left and right end beams in both the gutter profile and the wall profile, one by one. Make sure that the outer edges of the end beams are flush with the ends of the gutter profile and wall profile.

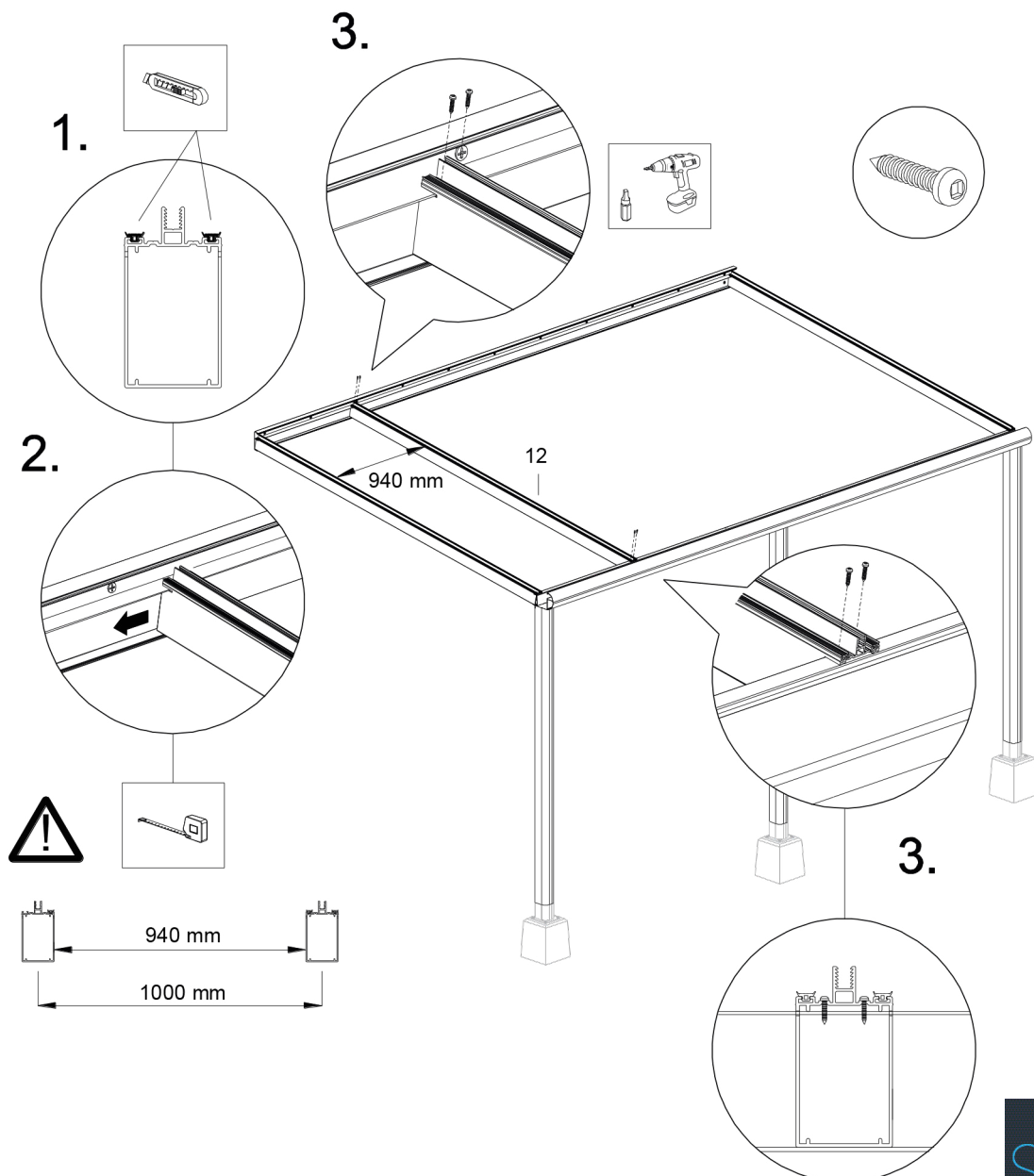


6.4 Installing the middle beams

If you are installing optional LED lights then we recommend performing the installation before fitting the middle beams as the main cables can all be ran in place at this stage, holes cut in the beams and then as each beam is installed the lights can be fitted and cables connected.

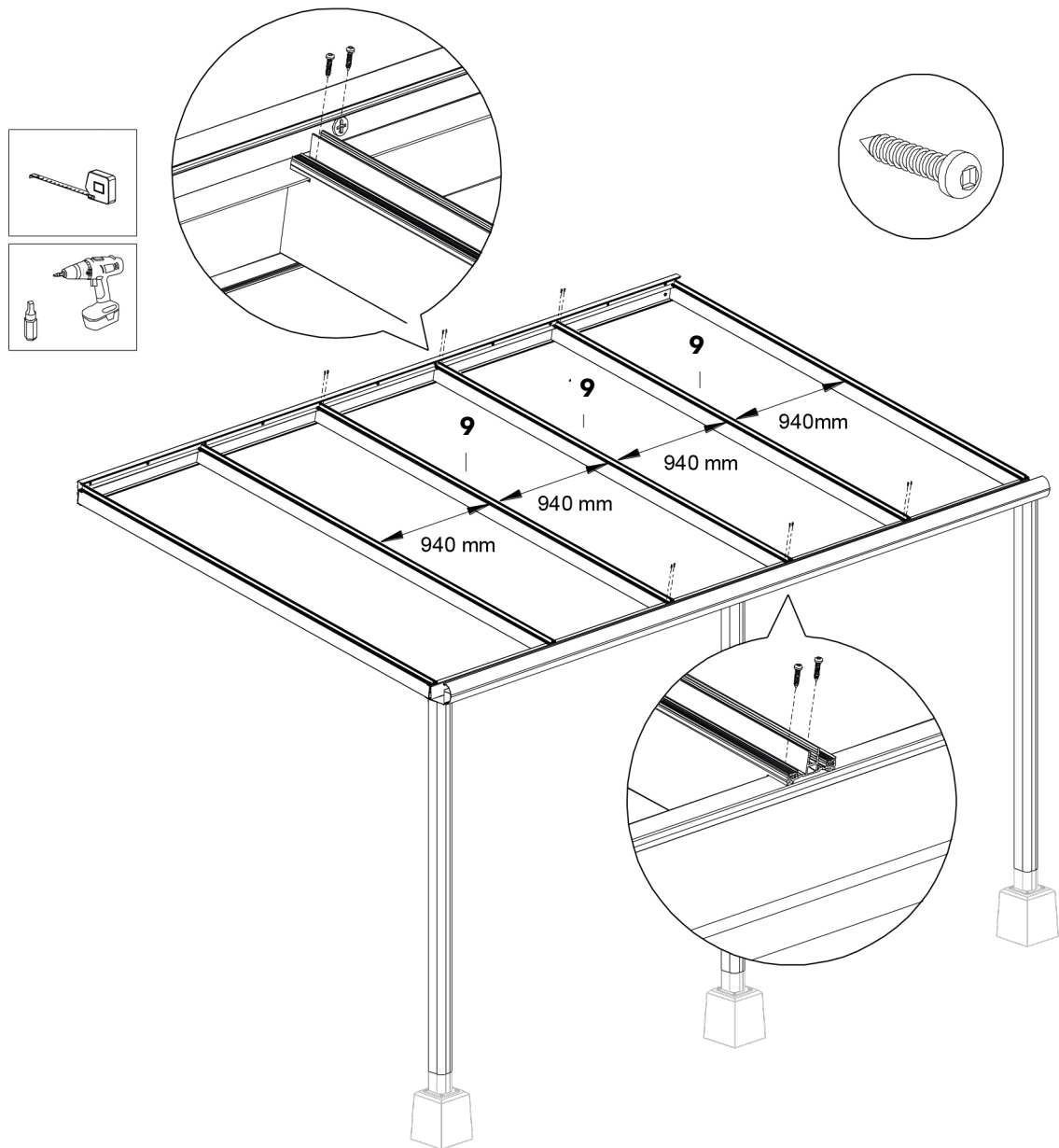
If you do not shorten the width of your canopy, you can use the trim elements for the gutter as spacers between the beams. The standard roof sheet width is 98 cm, so the middle beams will be spaced exactly 100 cm centre to centre.

1. Carefully cut the pre-fitted rubber seals in the middle beams to size.
2. Place the first middle beam in the wall profile and gutter profile at the desired distance.
3. Screw the middle beam to both the gutter profile and wall profile with 2 short screws.



4. Then place the remaining middle beams in the wall profile and gutter profile at the desired distance.

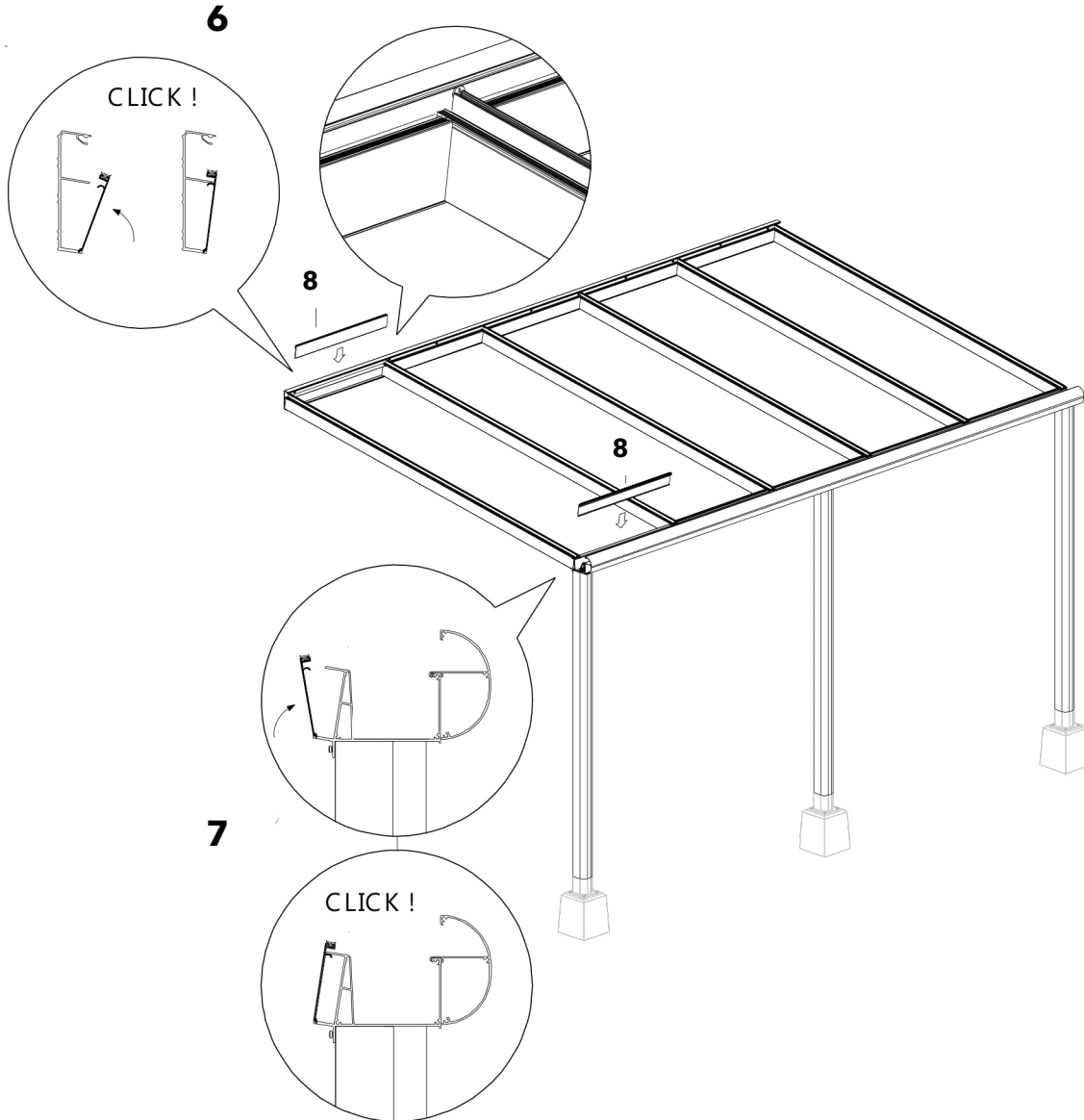
5. Screw the middle beams to both the gutter profile and wall profile with two short screws.



Note: if Garden SPACE LED lighting is installed, make sure all the cabling is properly positioned and connected before the inside trim covers are fitted. We recommend placing the transformer behind a trim click strip so it will be easily accessible for future service.

6. Place the inside trim covers on the wall profile.

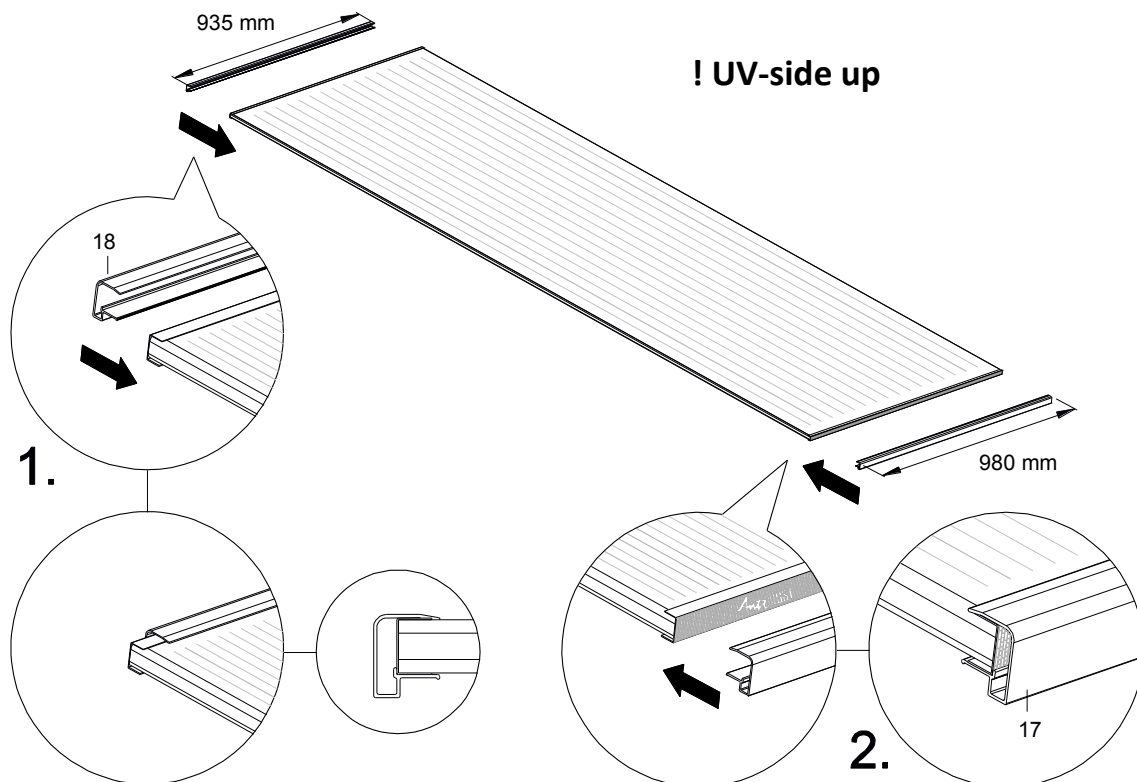
7. Place the inside trim covers on the gutter profile.



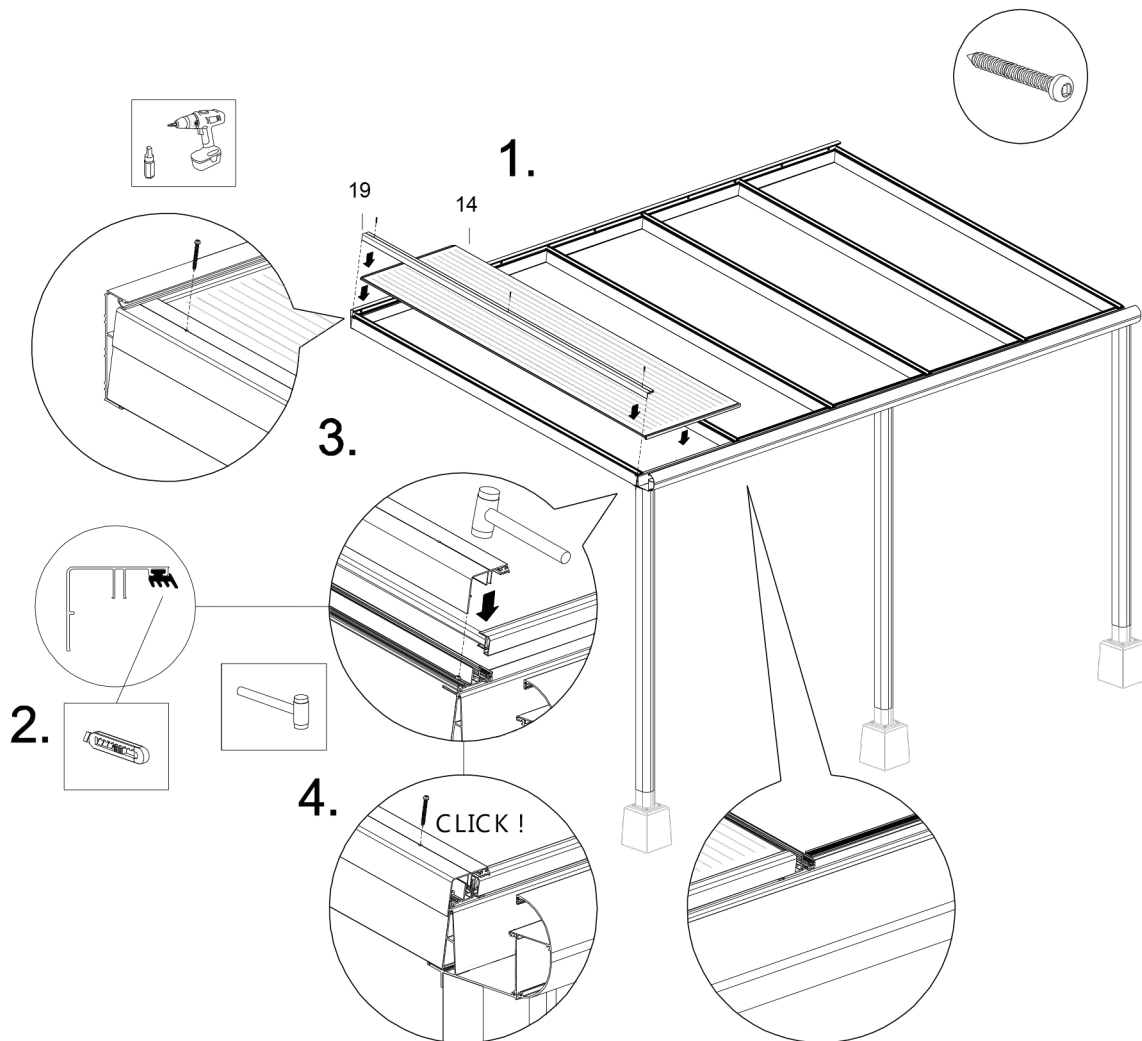
6.5 Preparing and installing the roofing sheets

If you want to trim the width of the sheets, we recommend trimming off full 'chambers' whenever possible so the edges remain sealed. The roofing sheets can have a top and a bottom. The UV side must face up. This is indicated with a protective film on the sheets. Always place the correct side up. If cutting the length of the sheets then cut off the bottom (perforated tape end), clean out any shavings and apply fresh anti-dust tape.

1. Place the short condensation profiles (935 mm) at the wall end of the roofing sheets, where the non-perforated anti-dust tape is located. Note: The tab of the profile must be on the bottom of the sheet.
2. Place the long condensation profiles (980 mm) at the gutter end of the roofing sheets, where the perforated anti-dust tape is located. These condensation profiles have pre-drilled holes for drainage of the condensation water.



3. Place the first roofing sheet between the beams. Note: UV side up, the long condensation profile with the tab down and on the gutter side.
4. Carefully cut the pre-fitted rubber seals in the aluminium end cover strip to size.
5. Pre-drill the end cover strip with a 3 mm drill bit (1 top - 1 bottom - 1 middle). Fit the end cover strip. Position the cover strip flush with the beam at the wall and gutter ends. At the wall end the cover strip fits just a bit under the wall profile for extra anchoring. Once the strip is positioned correctly, click the trim click strip into the end beam (use a rubber mallet).
6. Now screw the end cover strip to three points on the end beam with long stainless steel screws (1 top - 1 bottom - 1 middle).

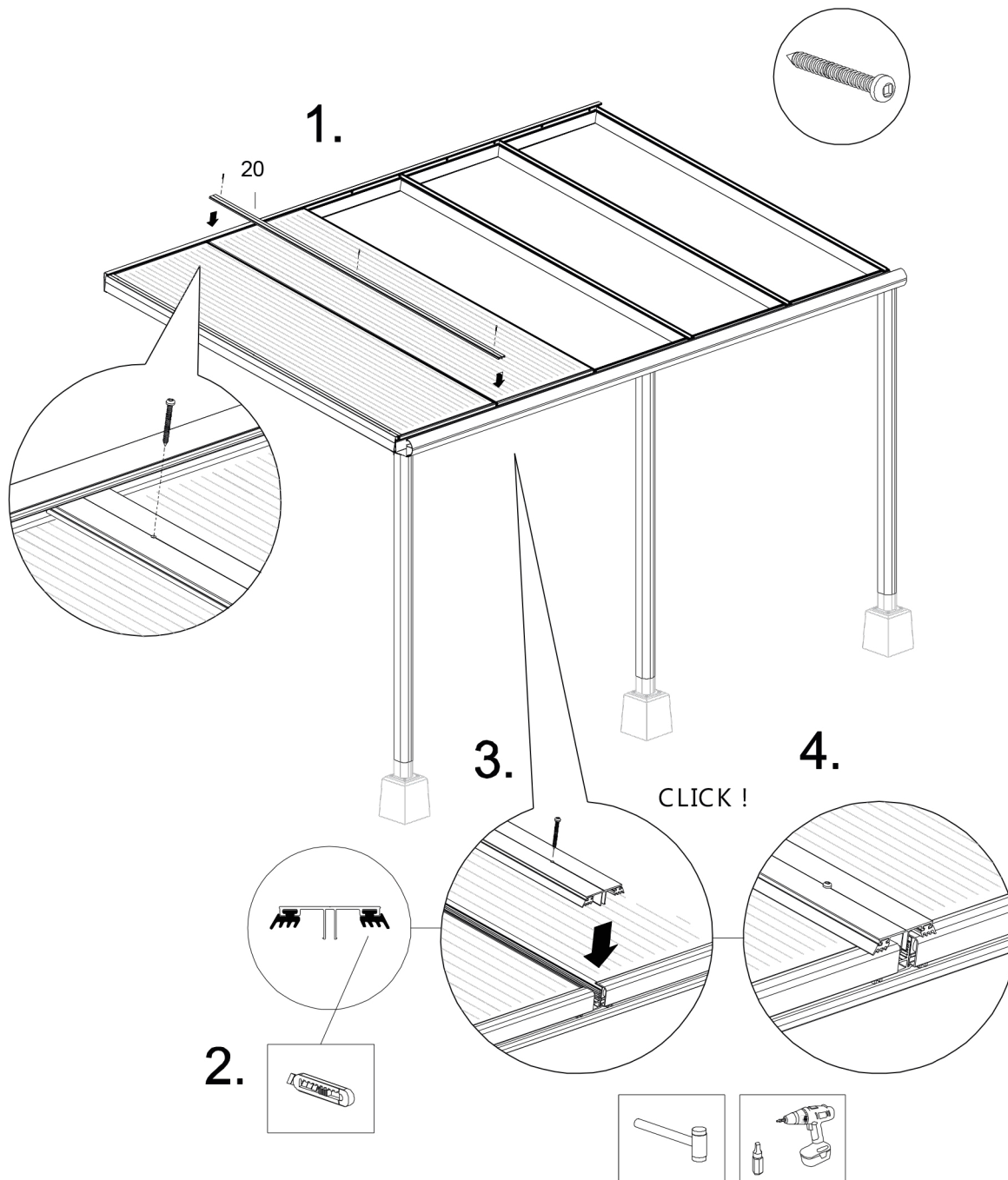


7. Place the second roofing sheet between the beams. Note: UV side up, the long condensation profile with the tab down and on the gutter side.

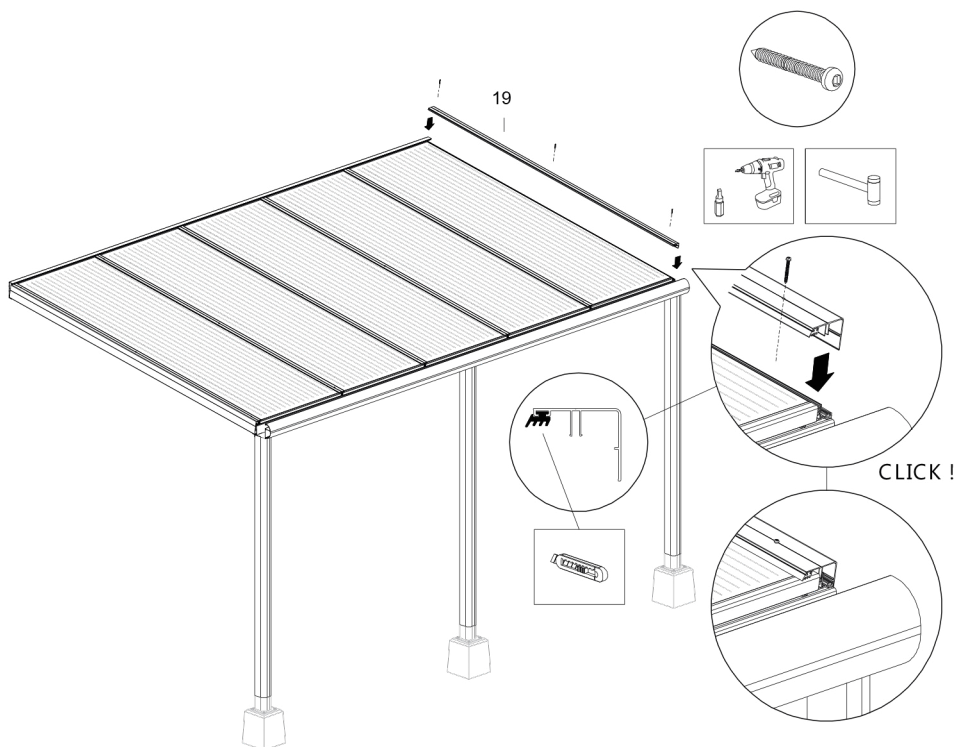
8. Carefully cut the pre-fitted rubber seals in the aluminium middle cover strip to size.

9. Pre-drill the middle cover strip with a 3 mm drill bit (1 top - 1 bottom - 1 middle). Fit the middle cover strip. At the wall end the cover strip fits just a bit under the wall profile for extra anchoring. Once the strip is positioned correctly, click the trim click strip into the middle beam (use a rubber mallet).

10. Now screw the middle cover strip to three points on the middle beam with long stainless steel screws (1 top - 1 bottom - 1 middle).

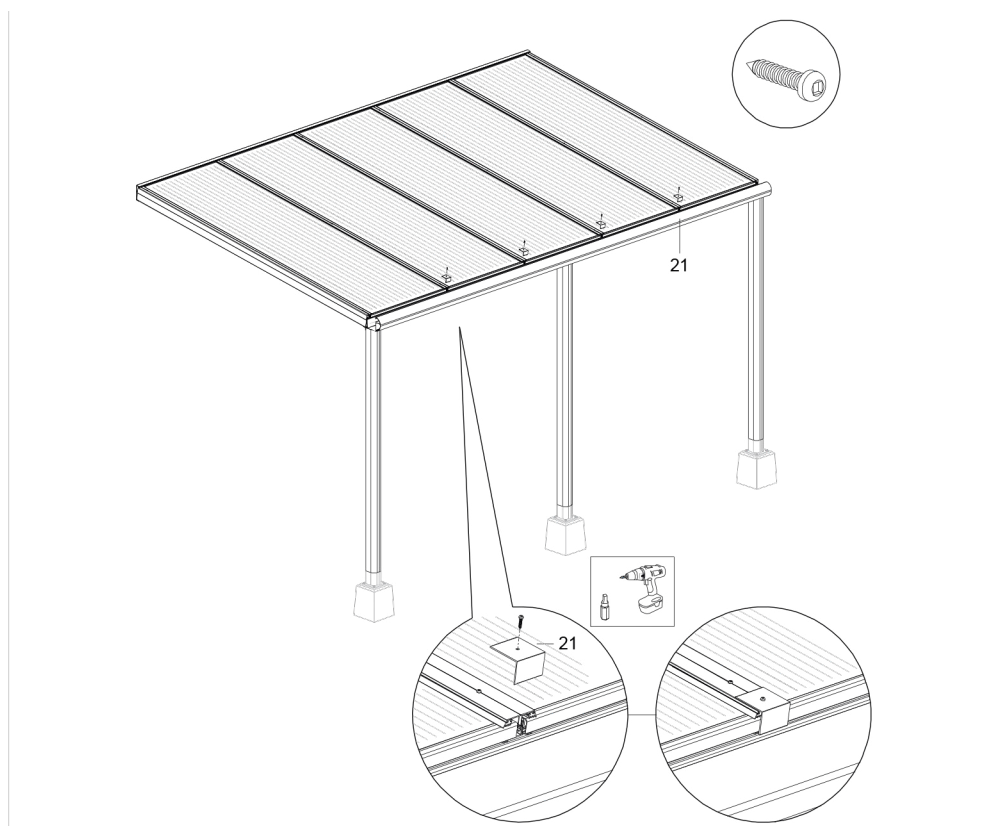


11. Repeat steps 1 to 4 on pages 29 & 30 for installation of the other cover strips.



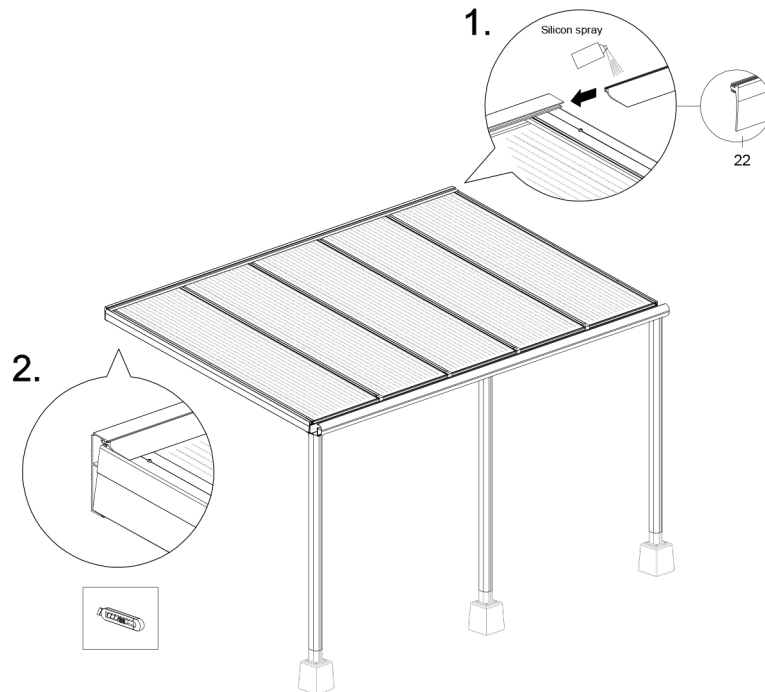
12. Now screw a sheet stopper at the gutter end of each middle beam to ensure secure attachment.

Note: securing the end cover strips comes later.

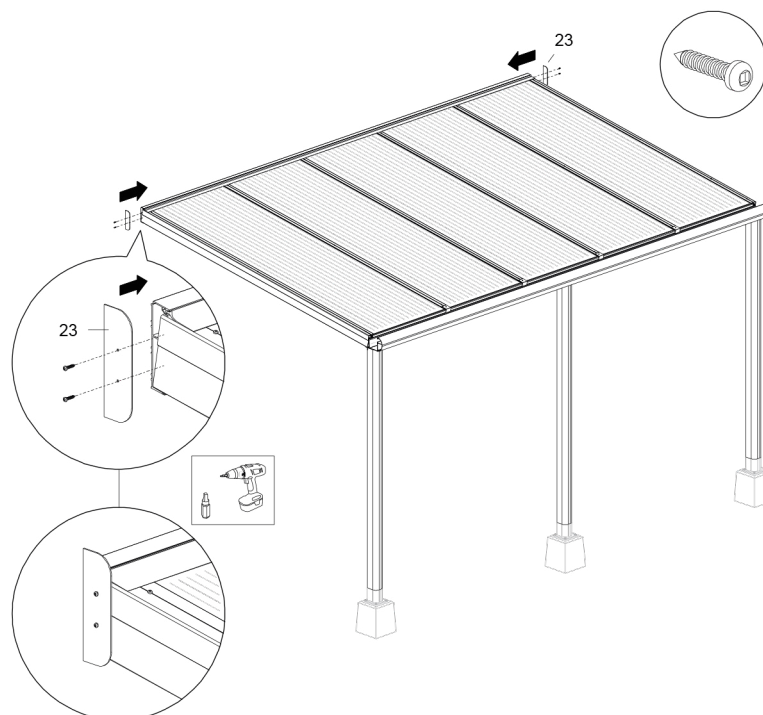


6.6 Finishing

1. Position the rubber strip in the wall profile properly so it covers the sheets and cover strips.
2. Carefully cut the rubber strip to size at both ends.



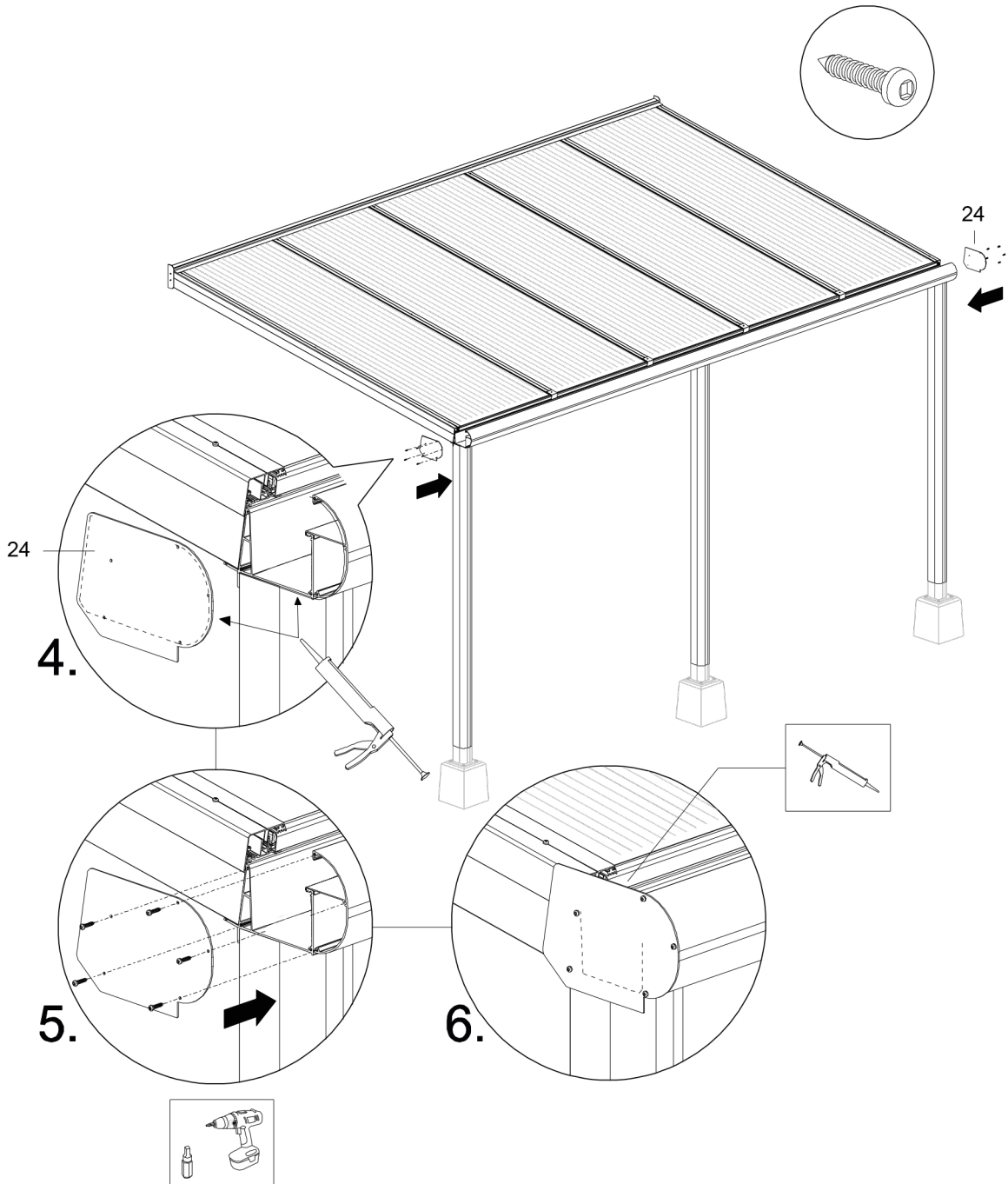
3. Screw the wall profile side cover onto wall profile with two short screws.



4. Apply sealant to both ends of the gutter profile and decorative profile.

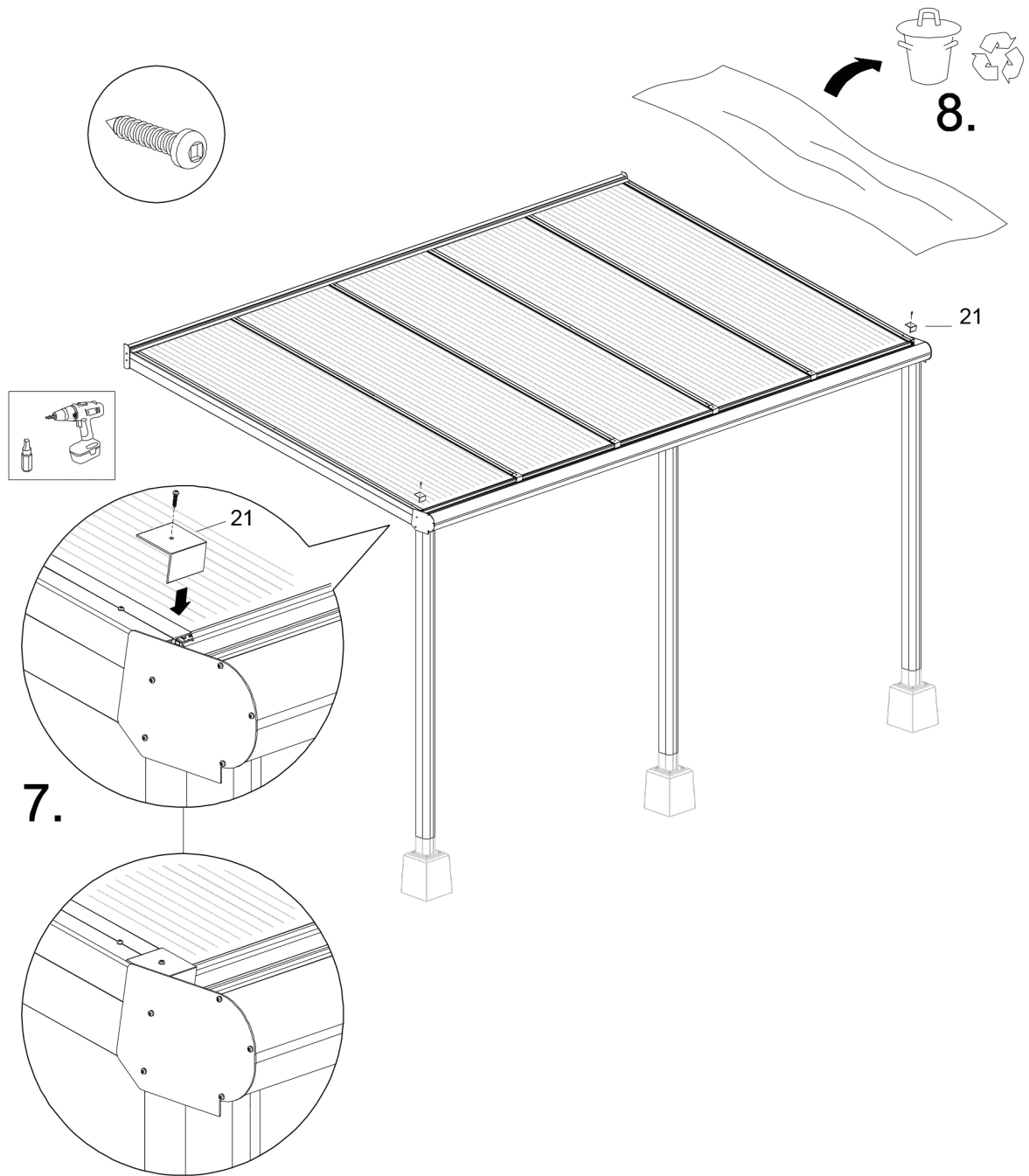
5. Carefully screw the decorative profile side cover to the gutter profile and the decorative profile with the short screws in the guides provided for this purpose.

6. Apply sealant on the inside of the gutter so it is waterproof.

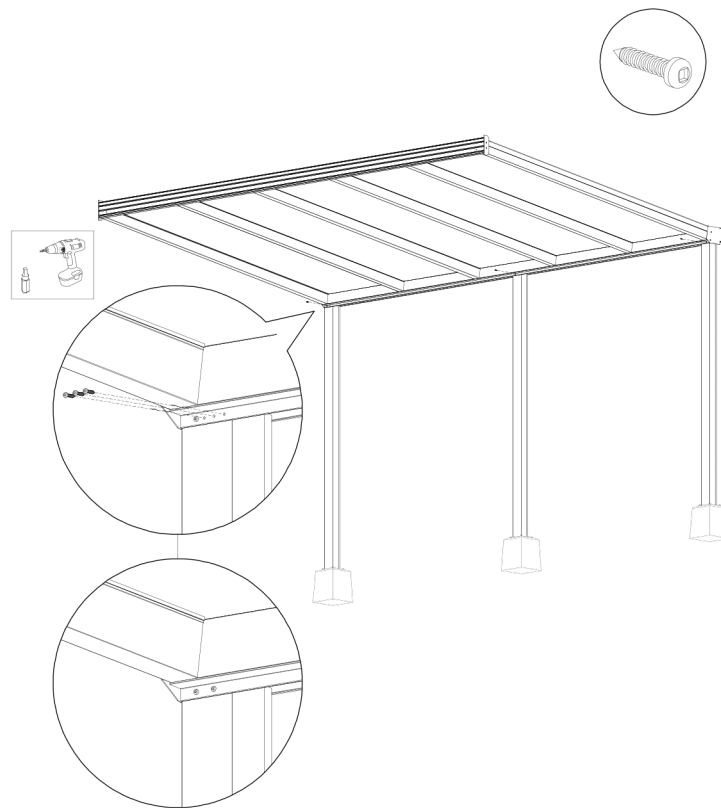


7. Now attach the sheet stoppers to the cover strips of the end beams with the short screws.

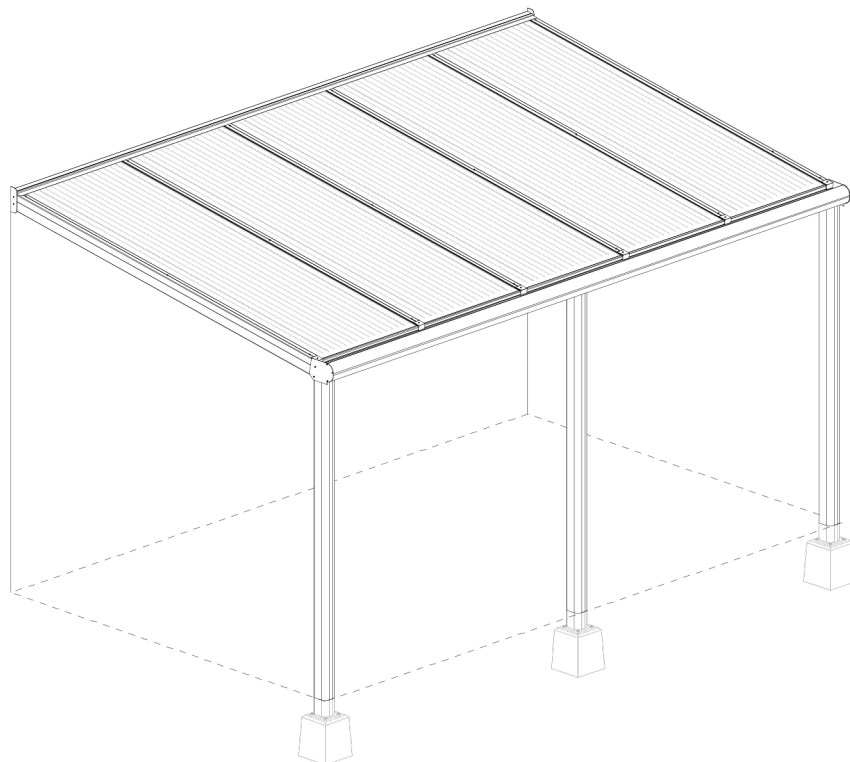
8. Remove the protective film from the roofing sheets and the aluminium parts.



9. Secure your posts with the other two short screws in each, placing approximately 20mm from the outer edges.



11. Congratulations! The roof is now finished!



7. Maintenance

We recommend that you maintain and clean your canopy at least once a year. Check whether the screw connections are tight. If not, tighten them firmly.

The aluminium profiles and roofing sheets that are dirty can be cleaned with lukewarm water and a cleaning product.

- Use a soft brush or sponge.
- Never use abrasives, aggressive solvents or a pressure washer.
- Wet first and rinse off with lots of water, and then wipe with a soft cloth.

8. Disposal of waste

Dispose of the product according to local laws and regulations.

9. Warranty conditions

Warranty in accordance with the warranty conditions and Garden SPACE's general terms and conditions. These can be found on the website thegardenspace.co

10. Contact

IMPORTANT: Garden SPACE is your first point of contact for questions and comments.

