

Buoyancy Control Device STAYTHEE

■ Introduction

Thank you for purchasing the Buoyancy Control Device STAYTHEE (hereinafter referred to as “this product”). You can enjoy underwater floating photography by connecting the underwater housing case loaded with the camera.

Be sure to read this manual carefully and store it before use in order to fully utilize the functions of this product.

■ Precautions for use

- Be sure to read and use this manual properly.
- Improper use may cause the camera, underwater housing case, or this product to malfunction or be flooded, making repair impossible.
- Before using the product, be sure to check the water-resistant performance of the product in accordance with this manual.
- Please note that we are not responsible for any damages or loss of data due to flooding of the camera, or any accidents resulting from the disassembly, modification, or repair of this product. In addition, we cannot guarantee personal injury or property damage during use.
- The waterproof performance of this product is based on our test method, and it does not guarantee no damage or failure.

■ Safety Information

Labeling

Various indications are used in this manual and on the product to help you use the product safely and correctly, and to prevent harm to you and others and damage to property. The display and meanings are as follows.



Warning

Ignoring this indication and handling the product incorrectly may result in death or serious injury.



Caution

Ignoring this indication and mishandling the product may result in personal injury or property damage only.

Example of display



This symbol tells you what you are compelling or instructing to do.



The symbol indicates a prohibited act.

Example of display  Meaning: No disassembly

Follow the instructions below to ensure safe use of the product.

Warning



- Do not store this product within the reach of infants, toddlers, or children who do not understand the handling precautions of this product. Injury due to dropping and swallowing of small parts may cause an accident. Immediately seek medical attention if they are swallowed.
- Remove the camera and underwater housing case from the product when it is not used.
- This product is made of resin material. If the product is damaged due to strong impact or pressure, there is a risk of injury from fragments or broken parts of the main unit. Please handle this product with care.
- When using the product in water, be careful of the water depth and diving time. Concentrating too much on shooting can lead to a diving accident.
- Do not follow the product when it moves up or down. There is a risk of diving accidents.



Never disassemble, modify, or repair the product. Otherwise, it may cause flooding.

Caution



- To prevent accidents such as flooding and malfunction, please read this manual carefully and be sure to perform preparations and maintenance before and after use. Also, store this product separately from accessories such as underwater housing cases, reel straps, and macro photography kits.
- If the product is flooded, stop using it immediately. It may not be possible to adjust the buoyancy.
- The water-resistant performance of the product cannot be guaranteed if it is subject to impact.
- When removing the grip, pay attention to dust and foreign particles. Water may enter through the gaps in the O-ring.
- Before use, be sure to check the O-ring according to this manual.
- Be careful not to allow foreign particles, dirt, sand, dust, water, harmful gases, salt etc. to enter the product.
- Strong vibration, shock, pressure, etc. can cause damage, malfunction, or deteriorate the water-resistant performance of the product. Protect it by wrapping it in cushioning material against the vibrations of motorcycles, cars, boats, etc. In the unlikely event that strong vibration, shock, or pressure is applied, please contact our customer service center or customer service.
- Shock resistance is not provided. Please note that a strong impact such as dropping may cause flooding.



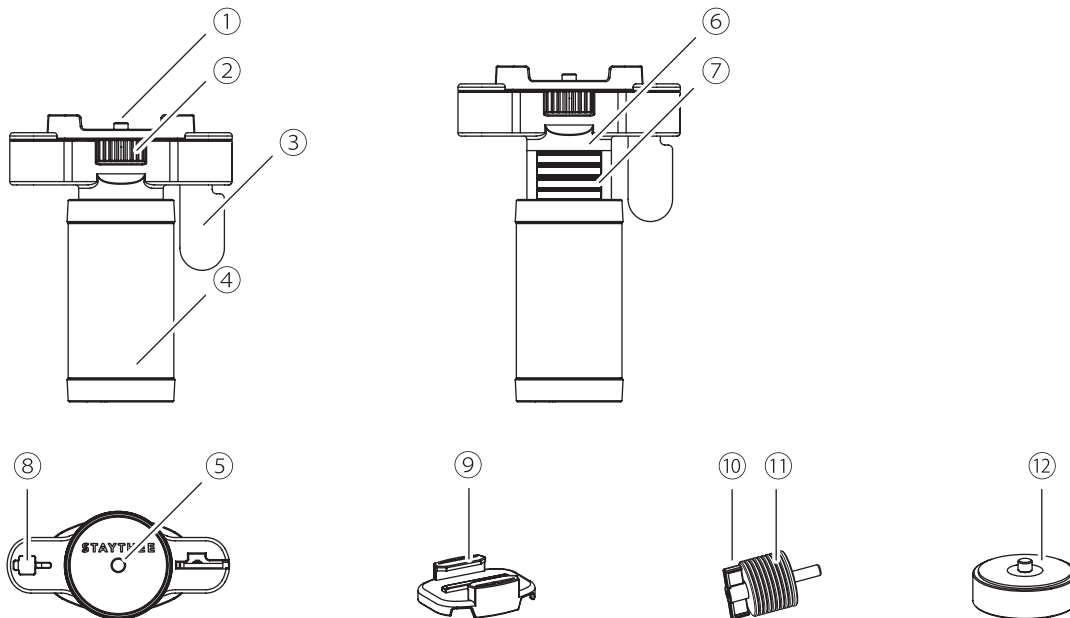
- Do not use this product in a place with high temperature and humidity. Do not leave this product inside the car, as the inside of the car becomes particularly hot.
- If you open and close the grip in a location with a lot of sand, dirt, dust, etc., foreign matter may adhere to the O-ring, impair the waterproof performance, and cause water leakage. Do not open or close the grip in such a place.
- Do not open the grip with the product wet.
- Do not store this product in a place where preservatives or harmful substances are present. Also, storing it in a hot and humid place may cause mold. Store this product in a dry, well-ventilated place.
- Do not use this product in an environment where the product is subject to strong water flow.

■ Enclosed parts

Check that all accessories are present before use.

- Buoyancy Control Device STAYTHEE
- Adapter for GoPro
- External weights
- Read This First

■ Part Names



- ① Head ② Camera fixing screw ③ Flap ④ Grip ⑤ Three-leg 1/4-inch screw hole ⑥ Cylinder
⑦ Adjustment scale ⑧ Macro Photography Kit fixing hole ⑨ Adaptor for GoPro ⑩ Weighing screw
⑪ Built-in weights (10 pieces) ⑫ External weight

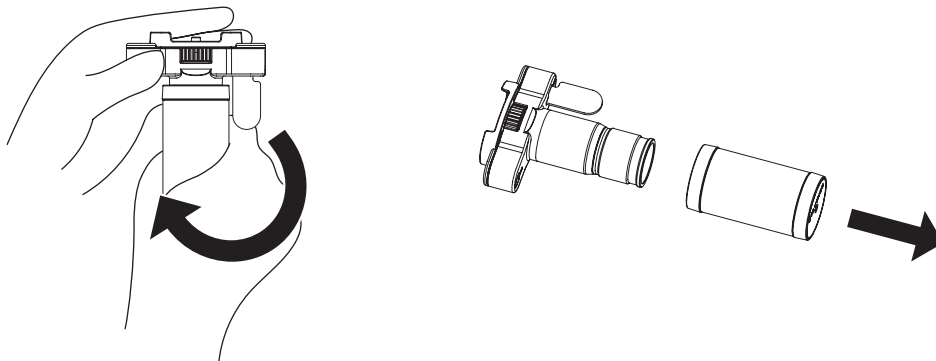
- ⑩ Weighing screws and ⑪ Built-in weights (10 pieces) are fixed inside the cylinder with the grip removed.

■ Preparation

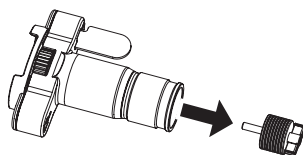
Before connecting to the camera

Before using the product in water, adjust the weight of the STAYTHEE to suit your camera.

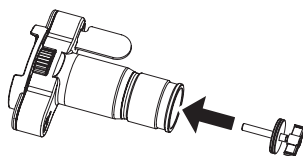
1. Rotate the grip to the left and remove it from the cylinder.



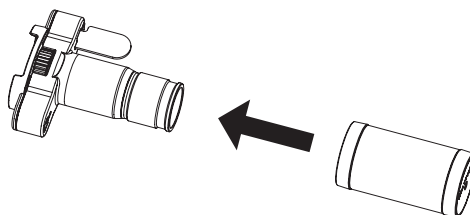
2. Remove all the weight fixing screws and weights fixed to the inside of the cylinder.



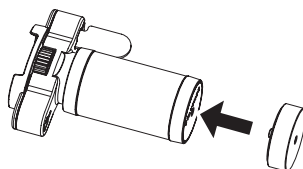
3. Fix the required number of weights for your camera to the inside of the cylinder.



4. Insert the cylinder into the grip, rotate it to the right while pushing the grip in, and attach it to the cylinder. If not pushed in, it will rotate idly.



5. Refer to the weight setting chart, fix the external weight into the three-leg 1/4-inch screw hole



- If you do not fix the required number of weights in accordance with the weight setting chart, neutral buoyancy may not be adjusted.
- Tighten the weight fixing screw firmly to prevent the Built-in weight from moving.
- Secure the external weight by tightening it firmly to prevent it from falling off. Periodically check for looseness.
- Store unused weights to avoid loss.

Weight setting chart

Camera / Underwater Housing Case Model Number	Number of built-in weights	External weights
RICOH THETA SC2 / RICOH Underwater Housing TW-1	7	Used
RICOH THETA V / RICOH Underwater Housing TW-1	5	Used
RICOH THETA X / RICOH Underwater Housing TW-2	7	Used
Insta360 ONE X / Insta360 ONE X Dive Case	10	Used
Insta360 ONE X2 / Insta360 ONE X2 Dive Case	4	Used
Insta360 X3 / Insta360 X3 Dive Case	2	Used
GoPro HERO9 Black / GoPro Protective Housing	0 (Note 1)	Not used
GoPro HERO10 Black / GoPro Protective Housing	0 (Note 2)	Not used
GoPro HERO11 Black / GoPro Protective Housing	0 (Note 2)	Not used
GoPro MAX / GLIDER SPORTS Waterproof Housing GLD4164GO272	1	Not used

Note 1: Do not install the built-in weights and the weight fixing screw.

Note 2: Install only the weight fixing screw inside the cylinder without the built-in weights.

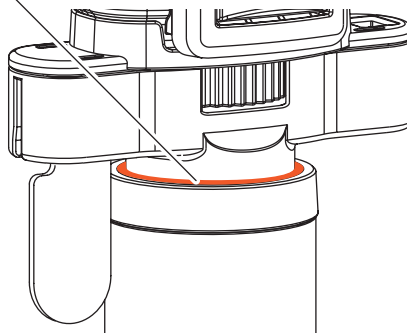
- When using the product in fresh water, reduce the weight by 1 to 2 as a guideline.

Prior to use in water

Before using the product in water, check the water-resistant performance.

1. Fill a bucket with water that is shallow enough for this product to be submerged and submerge it in water for about 2 to 3 minutes.
2. Rotate the grip underwater within the range that does not exceed the upper and lower limits of the buoyancy adjustment range, and check that there is no air leakage from the gap between the grip and the cylinder (see the figure below).
3. Remove the product from the water and wipe off the moisture thoroughly with a dry soft cloth.
4. Check that there is no flooding inside the cylinder.

No air leakage from the gap
between the grip and cylinder



Connecting the underwater housing case with the camera loaded

■ For RICOH THETA SC2 / RICOH THETA V / RICOH THETA X

Refer to the instruction manual of the underwater housing case for how to load the camera into the underwater housing case.

1. Place the underwater housing case on the head so that the buckle faces forward and the flap is on the left side. (Figure 1)
While lightly supporting the underwater housing case with your hand to prevent it from falling over, turn the camera fixing screw to fix it firmly in place.
2. Insert the strap of the underwater housing case into the grip of the product and tighten the slider. (Figure 2)
3. Rotate the flap 90 degrees upward. (Figure 3)

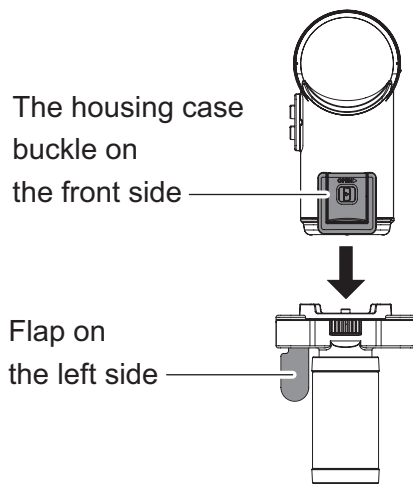


Figure 1

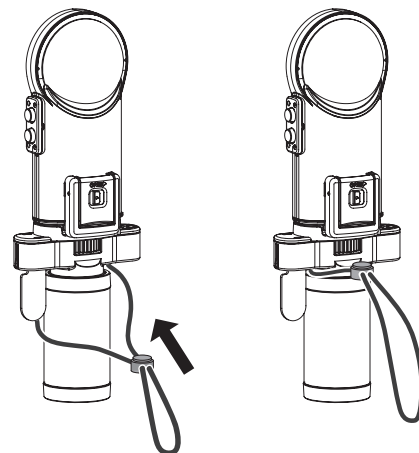


Figure 2

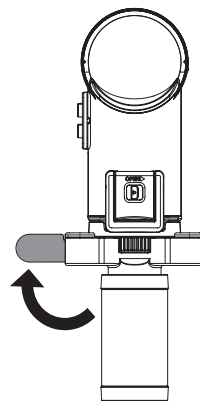


Figure 3

- Be careful not to damage the underwater housing case when connecting this product to the underwater housing case.
- When connecting this product and the underwater housing case, pass the strap of the underwater housing case through the grip of this product. It may be lost when separated underwater.
- Connect the buckle of the underwater housing case to the notch on the head of the product.
- When connecting this product to the underwater housing case, carefully check that no foreign objects are caught and that the camera fixing screws are firmly tightened.
- If the flap is not rotated 90 degrees upward, the product's attitude may not stabilize in water.
- Do not open the underwater housing case when the product and the underwater housing case are connected. Otherwise, damage to the buckle may result.
- Be sure to use a genuine submersible housing.

Connecting the underwater housing case loaded with the camera

■ For Insta360 ONE X

Refer to the instruction manual of the underwater housing case for how to load the camera into the underwater housing case.

1. Place the underwater housing case on the head so that the buckle faces forward and the flap is on the left side. (Figure 1)

While lightly supporting the underwater housing case with your hand to prevent it from falling over, turn the camera fixing screw to fix it firmly in place.

2. Rotate the flap 90 degrees upward. (Figure 2)

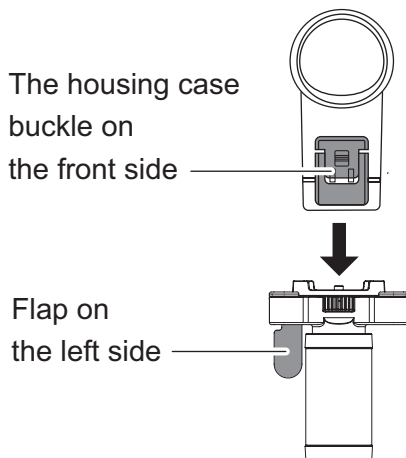


Figure 1

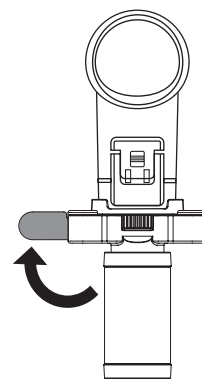


Figure 2

- Be careful not to damage the underwater housing case when connecting this product to the underwater housing case.
- When connecting this product to the underwater housing case, carefully check that no foreign objects are caught and that the camera fixing screws are firmly tightened.
- If the flap is not rotated 90 degrees upward, the product's attitude may not stabilize in water.
- Do not open the underwater housing case when the product and the underwater housing case are connected. Otherwise, damage to the buckle may result.
- Be sure to use a genuine submersible housing.

Connecting the underwater housing case loaded with the camera

■ For Insta360 ONE X2 / Insta360 X3

Refer to the instruction manual of the underwater housing case for how to load the camera into the underwater housing case and fix the 1/4 mount adapter.

1. Place the underwater housing case on the head so that the knob screw and flap of the 1/4 mount adapter are on the right side. (Figure 1)
While lightly supporting the underwater housing case with your hand to prevent it from falling over, turn the camera fixing screw to fix the housing case firmly in place.
2. Rotate the flap 90 degrees upward. (Figure 2)

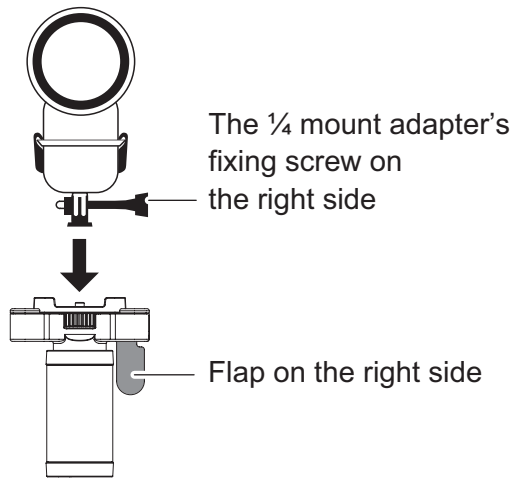


Figure 1

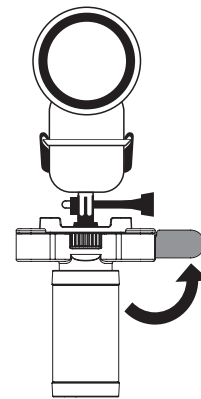


Figure 2

- When connecting the product to the underwater housing case, be careful not to damage the underwater housing case.
- When connecting this product to the underwater housing case, carefully check that no foreign objects are caught and that the camera fixing screws are firmly tightened.
- If the flap is not rotated 90 degrees upward, the product's attitude may not stabilize in water.
- Do not open the underwater housing case when the product and the underwater housing case are connected. Otherwise, damage to the buckle may result.
- Be sure to use a genuine submersible housing.
- Do not turn the underwater housing case to secure it to the camera fixing screw. Doing so may damage the camera fixing screw.
- Do not fix only the 1/4 mount adapter to the head beforehand. Fixing the underwater housing case afterwards may damage the camera fixing screw.

Connecting the underwater housing case loaded with the camera

■ For Go Pro HERO9 Black / GoPro HERO10 Black / GoPro HERO11 Black

Refer to the instruction manual of the underwater housing case for how to load the GoPro HERO9/10/11 Black into the underwater housing case and fix the ¼ mount adapter.

1. Slide the underwater housing case into the included GoPro adapter and fix it. (Figure 1)
2. Place the underwater housing case on the head so that the tripod adapter's knob screw and flap are on the right side. (Figure 2)
While lightly supporting the underwater housing case with your hand to prevent it from falling over, turn the camera fixing screw to fix the housing case firmly in place.
3. Rotate the flap 90 degrees upward. (Figure 3)

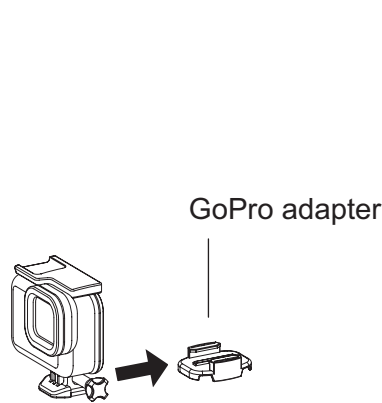


Figure 1

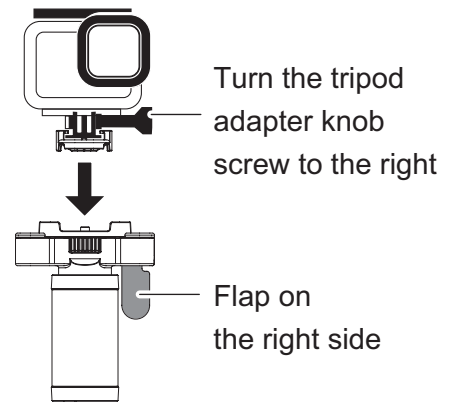


Figure 2

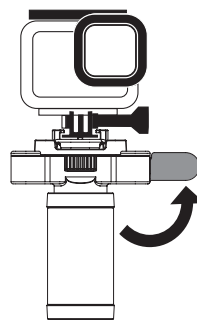


Figure 3

- When connecting the product to the underwater housing case, be careful not to damage the underwater housing case.
- When connecting this product to the underwater housing case, carefully check that no foreign objects are caught and that the camera fixing screws are firmly tightened.
- If the flap is not rotated 90 degrees upward, the product's attitude may not stabilize in water.
- Do not open the underwater housing case when the product and the underwater housing case are connected. Otherwise, damage to the buckle may result.
- Be sure to use a genuine submersible housing.

Connecting underwater housing case with camera loaded

■ For GoPro Max

For instructions on how to load the camera into the underwater housing case and secure the tripod adapter, refer to the instruction manual for the underwater housing case.

1. Place the underwater housing case on the head so that the tripod adapter's knob screw and flap are on the right side. (Figure 1)

While lightly supporting the underwater housing case with your hand to prevent it from falling over, turn the camera fixing screw to fix it firmly in place.

2. Rotate the flap upward by 90 degrees (Figure 2).

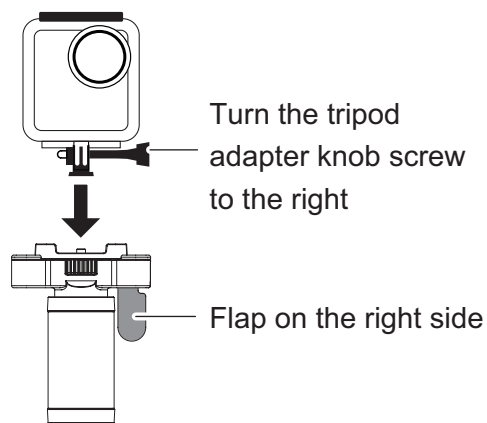


Figure 1

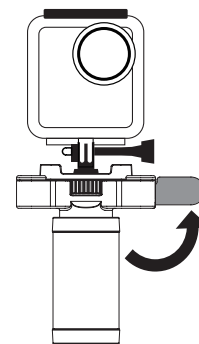


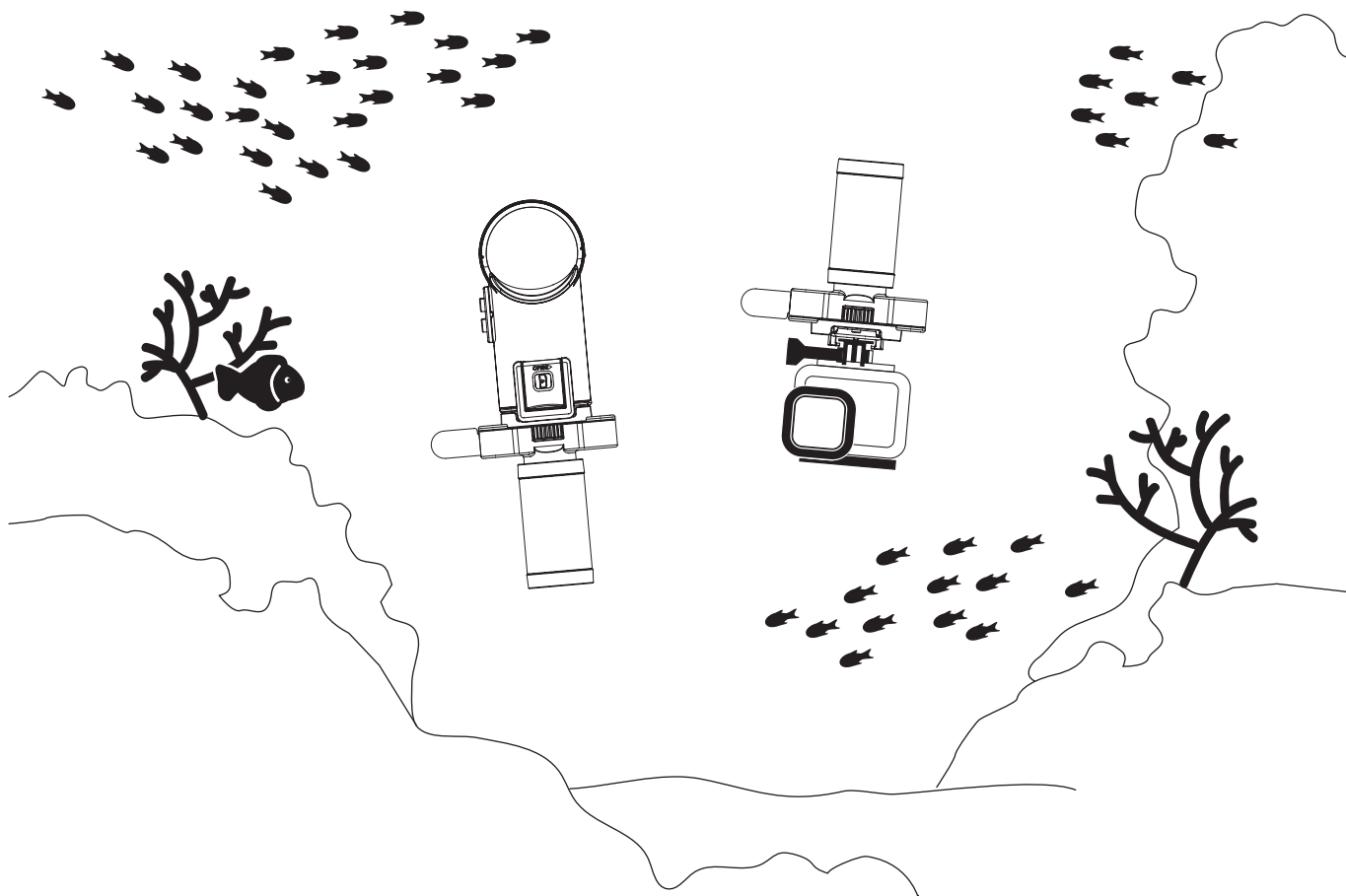
Figure 2

- When connecting this product to an underwater housing case, be careful not to damage the underwater housing case.
- When connecting this product to an underwater housing case, make sure that no foreign objects are caught in the housing case and that the camera fixing screw is firmly tightened.
- If the flap is not rotated 90 degrees upward, the product may not be stable underwater.
- Do not open the underwater housing case while this product is connected to the underwater housing case. Otherwise, the buckle may be damaged.
- Always use the specified underwater housing case.
- Do not turn the underwater housing case to secure it to the camera fixing screw. Doing so may damage the camera fixing screw.
- Do not fix only the tripod adapter to the head beforehand. Fixing the underwater housing case afterwards may damage the camera fixing screw.

■ Instructions for use

When an underwater housing case loaded with a camera is connected to this product, you can enjoy floating underwater photography.

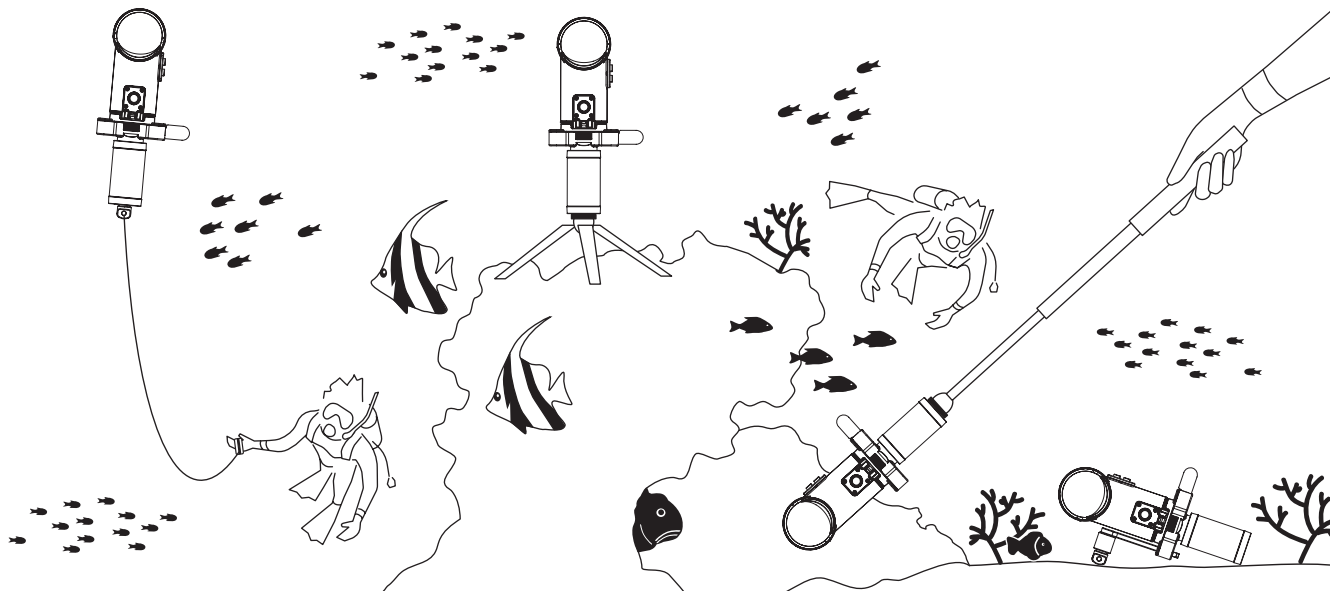
*When a GoPro is used, the camera will be in an inverted position.



Using the 1/4-inch screw hole for a tripod located on the bottom of the grip of this product, you can connect a reel strap, tripod, selfie stick, etc. to enjoy various shooting methods other than floating underwater photography.

Also, by connecting a macro photography kit, you can enjoy underwater photography by laying this product on the seabed.

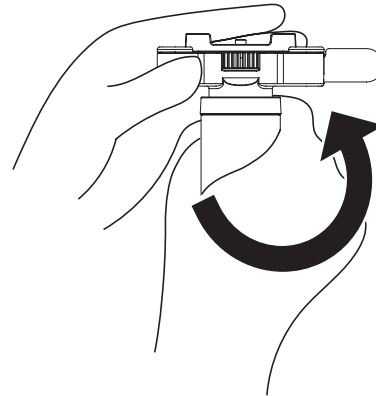
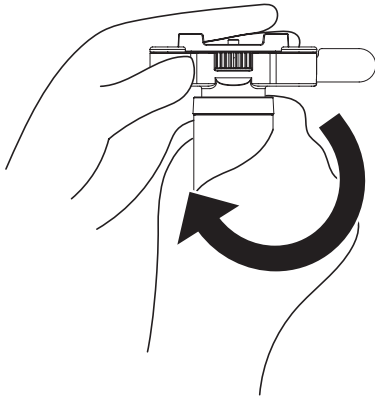
*The reel strap and the macro photography kit are optional accessories.



Instructions to adjust buoyancy in water

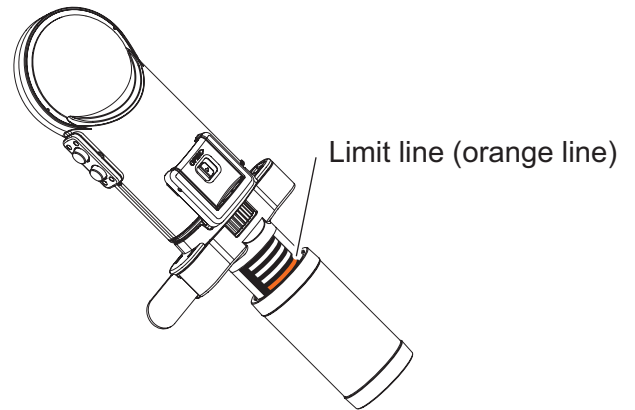
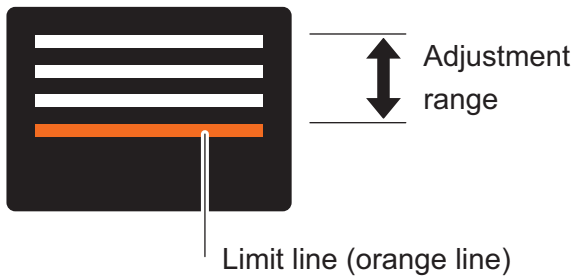
Adjust the buoyancy by operating the grip. Be sure to hold the product with both hands when operating the grip. Using one hand or holding the underwater housing case may cause dropping or damage.

- For greater buoyancy, turn the grip to the left.
- For smaller buoyancy, turn the grip to the right.



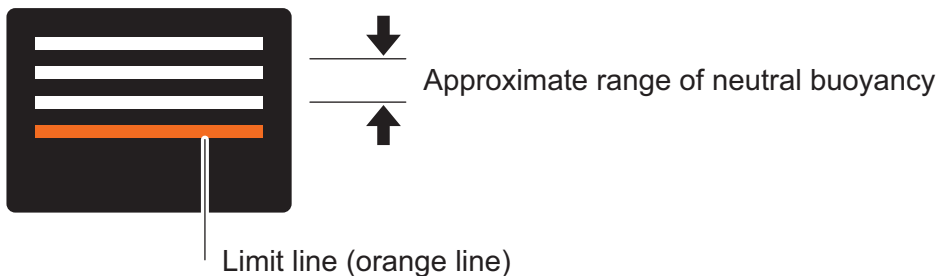
Adjustment limit

In water, adjust the buoyancy within the limit line indicated on the cylinder. If you see the limit line (orange line), do not turn it any further. Otherwise, it may cause flooding.



Neutral buoyancy

This product allows you to enjoy shooting underwater with neutral buoyancy (floating state). For neutral buoyancy, adjust as follows as a guide. However, the buoyancy in water depends on the camera you are using or the operating environment. Be sure to make fine adjustments



- After putting the product in water, turn it upside down or shake it to the right and left until no air bubbles are not generated from the product. It may not be possible to adjust the buoyancy normally.
- Carefully adjust the buoyancy. Even a small amount of manipulation of the grip can greatly change the buoyancy.
- The buoyancy in water varies depending on the operating environment. Be sure to adjust it every time you use it.

■ Precautions for use in water

- Be careful not to be subjected to strong water pressure when bringing the product into the water. There is a risk of flooding.
- Please use it at a depth of 30m or less. Using it deeper than that or subjecting it to impact or pressure may cause damage or flooding.
- If the temperature changes rapidly, the inside and outside of the underwater housing case condenses. Put the underwater housing case in a bag or plastic bag to reduce the temperature difference before taking it out.
- You cannot use this product in hot water or hot springs.
- Do not follow the product when it moves up or down. There is a risk of diving accidents

■ Maintenance

After use, separate this product from accessories such as the underwater housing case, reel strap, macro shooting kit, etc., wash them with water, and wipe off the water droplets with a dry towel.

Refer to the instruction manual of the underwater housing case for maintenance.

After cleaning, store this product separately from the underwater housing case, reel strap, macro shooting kit, and other accessories.

- When wiping the product with a cloth, the surface of the product may be damaged if sand or other objects are attached to it.
- After washing this product with water, wipe off the moisture with a soft, dry cloth. Never dry with a dryer or stove.
- Do not use organic solvents such as thinner, alcohol, or benzene for cleaning. In addition, cleaning the product with soap water, neutral detergent, alcohol, etc. may cause flooding or other problems.

■ After use in the sea

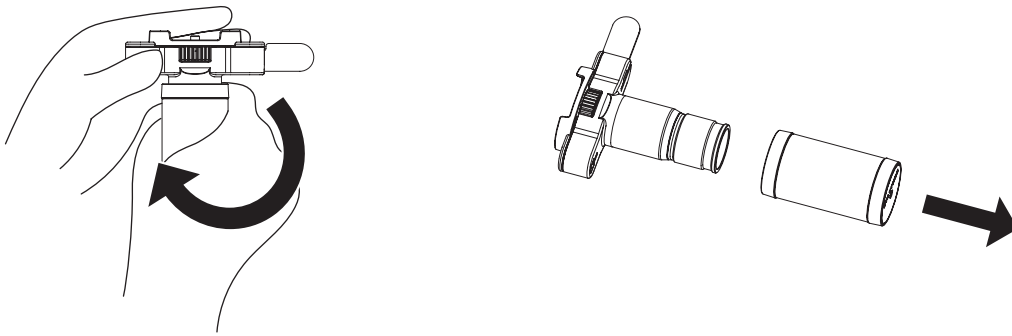
If this product is used in the sea and left unattended, salt will remain and crystallize, which may cause flooding and other problems.

Be sure to perform the following maintenance after using this product in the sea.

1. Separate this product from accessories such as underwater housing cases, reel straps, macro photography kits, and external weights.
2. Soak this product and accessories such as the underwater housing case, reel strap, and macro shooting kit in a bucket of fresh water for 10 to 20 minutes.
3. After lifting them from fresh water, flush them with tap water.
4. Remove water droplets with a soft, dry cloth.

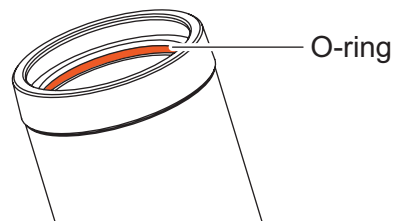
■ O-ring maintenance

1. Rotate the grip to the left and remove it from the cylinder.

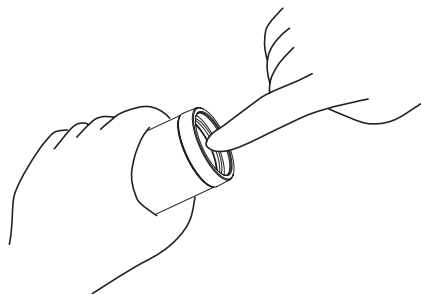


2. Check that there are no foreign matter, scratches, or cracks in the O-ring.

If there are any scratches or cracks, stop using the product and contact our Customer Service Center or the Customer Service Center.



3. Apply a thin layer of silicon grease to the surface of the O-ring to prevent wear of the O-ring.



4. Check the cylinder and O-ring for foreign matter.

5. Insert the cylinder into the grip, rotate it to the right while pushing the grip in, and attach it to the cylinder.
If not pushed in, it will rotate idly.

- Use the silicone grease that comes with the underwater housing case or commercially available silicone grease.
- For purchase of O-rings and silicon grease, contact our Customer Service Center or the Customer Service Center.

■ Main Specifications

Dimensions	About 135 x 130 x 48.5 mm (when the flap is open)
Weight	185 g
Pressure water depth	30 m
Main materials	Polycarbonate, Silicon rubber, POM, Stainless steel, Nitrile rubber

■ Target Camera / Underwater Housing Case

Camera / Underwater Housing Case model number
RICOH THETA SC2 / RICOH Underwater Housing TW-1 RICOH THETA V / RICOH Underwater Housing TW-1 RICOH THETA X / RICOH Underwater Housing TW-2
Insta360 ONE X / Insta360 ONE X Dive Case Insta360 ONE X2 / Insta360 ONE X2 Dive Case Insta360 X3 / Insta360 X3 Dive Case
HERO9 Black / GoPro Protective Housing HERO10 Black / GoPro Protective Housing HERO11 Black / GoPro Protective Housing GoPro MAX / GLIDER SPORTS Waterproof Housing GLD4164GO272

- Be sure to use a specified submersible housing.

*Insta360 X3, Insta360 ONE X2, Insta360 ONE X, and Insta360 are trademarks or registered trademarks of Shenzhen Arashi Vision.

*This product and/or service is in no way affiliated with, related to, or endorsed by GoPro Inc. or its products or services. GoPro, HERO and their respective logos are trademarks or registered trademarks of GoPro, Inc.

*GLIDER is a trademark or registered trademark of MEIJIE Co., Ltd.

Reproduction of this document, in whole or in part, without permission is prohibited.

© 2023 RICOH COMPANY, LTD.

April 2023