

Reel Strap SRS-1

■ Introduction

Thank you for purchasing our product.

Be sure to understand the contents and use the product correctly. In order to take full advantage of the functions of this product, please read this manual carefully before use and keep it in a safe place.

■ Precautions for use

- Be sure to read this manual and use the product properly.
- Mount the reel strap securely. If it is used in an incomplete state, it may be lost.

■ Safety Information

Labeling

Various indications are used in this manual and on the product to help you use the product safely and correctly, and to prevent harm to you and others and damage to property. The display and meanings are as follows.



Warning

Ignoring this indication and handling the product incorrectly may result in death or serious injury.

Example of display



This symbol tells you what you are compelling or instructing to do.

Follow the instructions below to ensure safe use of the product.



Warning



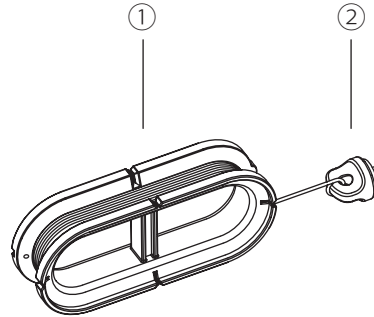
- Do not store this product within the reach of infants, toddlers, or children who do not understand the handling precautions of this product. Injury due to dropping and swallowing of small parts may cause an accident.
Immediately seek medical attention if they are swallowed.
 - This product is made of resin material. If the product is damaged due to strong impact or pressure, there is a risk of injury from fragments or broken parts of the main unit. Handle this product with great care.
 - Do not tie the reel strap to any diving equipment (tank, regulator, etc.). There is a danger that the strap may become entangled and lead to a diving accident.
-

■ Enclosed parts

Check that all accessories are present before use.

- Reel strap
- Read This First

■ Part Names



① Reel strap

② Strap fixing screw

■ Preparation

Firmly attach the strap fixing screw of the reel strap to the 1/4-inch screw hole for the tripod of STAYTHEE. (Figure 1)

- Tighten the strap fixing screw securely. If the strap is used when it is loose, it may be lost.

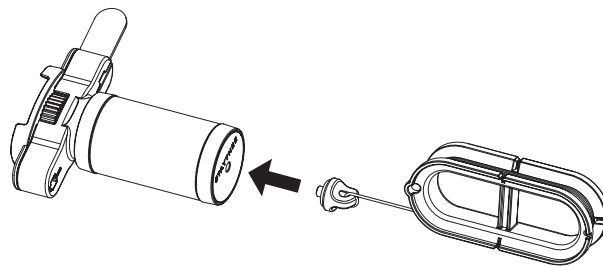


Figure 1

■ Instructions for use

- You can adjust the length of the strap by securing the strap to the groove of the reel.
- It is also possible to collect STAYTHEE suspended in water by hand by pulling the strap closer.
- Remove the reel strap from the STAYTHEE after use.

■ Precautions for use in water

- Do not connect the reel strap to the diving equipment (tank, regulator, etc.).
There is a risk of diving accidents due to entanglement of straps.

■ Maintenance

After use, wash this product with water and wipe it thoroughly with a dry towel.

Store the buoyancy regulator STAYTHEE separately from the product after maintenance.

- When wiping the product with a cloth, the surface of the product may be damaged if sand or other objects are attached to it.
- After washing, wipe off moisture thoroughly with a dry soft cloth. Never dry with a dryer or stove.

■ After use in the sea

If this product is used in the sea and left unattended, salt will remain and crystallize, which may cause the screws to not tighten.

Be sure to perform the following maintenance after using this product in the sea.

1. Immerse the reel strap in a bucket of fresh water for 10 to 20 minutes.
2. After lifting it from fresh water, flush it with tap water.
3. Remove water droplets with a soft, dry cloth.

Reproduction of this document, in whole or in part, without permission is prohibited.

© 2023 RICOH COMPANY, LTD.

April 2023