

Macro Photography Kit SMK-1

■ Introduction

Thank you for purchasing our product.

Connecting this product to the buoyancy regulator STAYTHEE enables you to lie STAYTHEE on the seabed and enjoy shooting under water.

In order to take full advantage of the functions of this product, please read this manual carefully before use and keep it in a safe place.

■ Precautions for use

- Be sure to read this manual and use the product properly.
- Mount the macro photography kit firmly. If it is used in an incomplete state, it may be lost.
- When you remove the weight, be careful not to drop it. Otherwise, it may be lost.

■ Safety Information

Labeling

Various indications are used in this manual and on the product to help you use the product safely and correctly, and to prevent harm to you and others and damage to property. The display and meanings are as follows.



Warning

Ignoring this indication and handling the product incorrectly may result in death or serious injury.

Example of display



This symbol tells you what you are compelling or instructing to do.

Follow the instructions below to ensure safe use of the product.



Warning



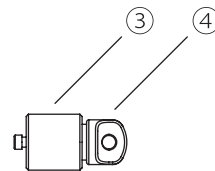
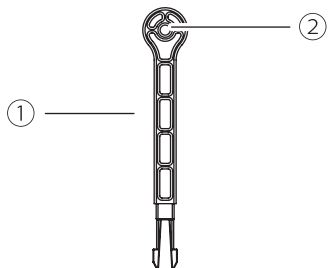
- Do not store this product within the reach of infants, toddlers, or children who do not understand the handling precautions of this product. Injury due to dropping and swallowing of small parts may cause an accident.
Immediately seek medical attention if they are swallowed.
 - This product is made of resin material. If the product is damaged due to strong impact or pressure, there is a risk of injury from fragments or broken parts of the main unit. Handle this product with great care.
-

■ Enclosed parts

Check that all accessories are present before use.

- Lever
- Weight
- Read This First

■ Part Names



- ① Lever
- ② 1/4-inch screw hole for weight fixation
- ③ Weight
- ④ 1/4-inch screw with a ring

■ Preparation

With the 1/4-inch screw hole for fixing the weight of the lever facing outward, insert it firmly into the fixing hole of the STAYTHEE macro photography kit. (Figure 1)

- When connecting the product to STAYTHEE, be careful not to damage the underwater housing case.
- Firmly insert the lever into the macro shooting kit fixing hole. If it is used in an incomplete state, it may be lost.
- When using STAYTHEE in water, you can adjust the buoyancy with the lever plugged in.

The screw hole facing outward

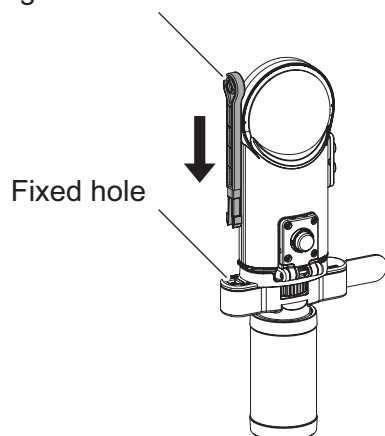


Figure 1

■ Instructions for use

With the macro photography kit, you can enjoy underwater photography by laying STAYTHEE on the seabed.

1. Mount the weight firmly in the ¼-inch screw hole for fixing the weight of the lever. (Figure 1)
2. Lay STAYTHEE on the seabed with the weight facing downwards. (Figure 2)
When placing STAYTHEE on the seabed, turn the STAYTHEE grip clockwise to reduce buoyancy.
The posture of STAYTHEE becomes stable.
3. Remove the weight from the lever after shooting under water with the STAYTHEE lying on the seabed.
When the weight is not used, the ring can be fixed to the diving equipment.
4. When removing the lever from the STAYTHEE, grasp the tip of the lever and remove it. (Figure 3)

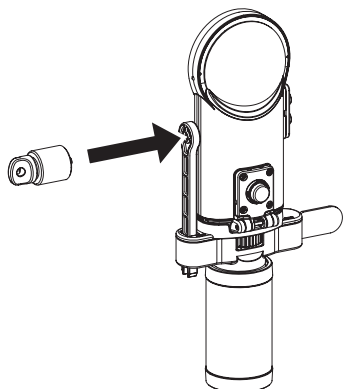


Figure 1

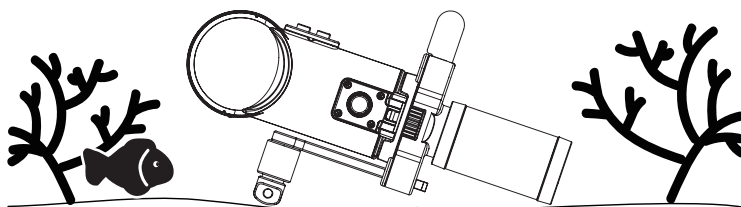


Figure 2

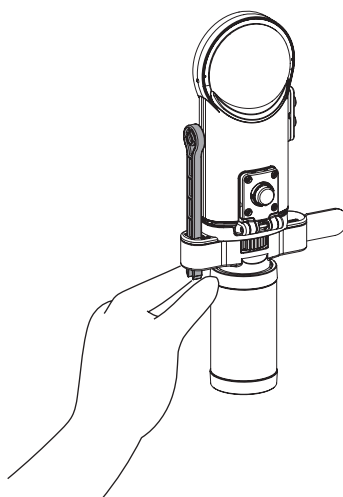


Figure 3

■ Precautions for use in water

- Hold STAYTHEE securely when attaching or detaching weights. STAYTHEE may rise or fall due to changes in buoyancy.
- Do not follow STAYTHEE when it moves up or down. There is a risk of diving accidents.
- Attach or detach the weight near the seabed. Otherwise, the weight may fall to the seabed and be lost.
- When laying the product on the seabed, be careful about the environment, for example, not to place it on a coral.

■ Maintenance

After use, separate the lever, weights, and the 1/4-inch fixing screw with a ring, wash them with water, and wipe off water droplets with a dry towel.

Store STAYTHEE separately from the product after maintenance.

- When wiping the product with a cloth, the surface of the product may be damaged if sand or other objects are attached to it.
- After washing this product with water, wipe off the moisture with a soft, dry cloth. Never dry with a dryer or stove. Waterproof performance may be impaired due to deformation, etc.

■ After use in the sea

If this product is used in the sea and left unattended, salt will remain and crystallize, which may cause malfunction.

Be sure to perform the following maintenance after using this product in the sea.

1. Separate the lever, weights, and the 1/4-inch screw with a ring.
2. Soak the lever, weights, and the 1/4-inch fixing screw with a ring in a bucket of fresh water for 10 to 20 minutes.
3. After lifting them from fresh water, flush them with tap water.
4. Remove water droplets with a soft, dry cloth.

Reproduction of this document, in whole or in part, without permission is prohibited.

© 2023 RICOH COMPANY, LTD.

April 2023