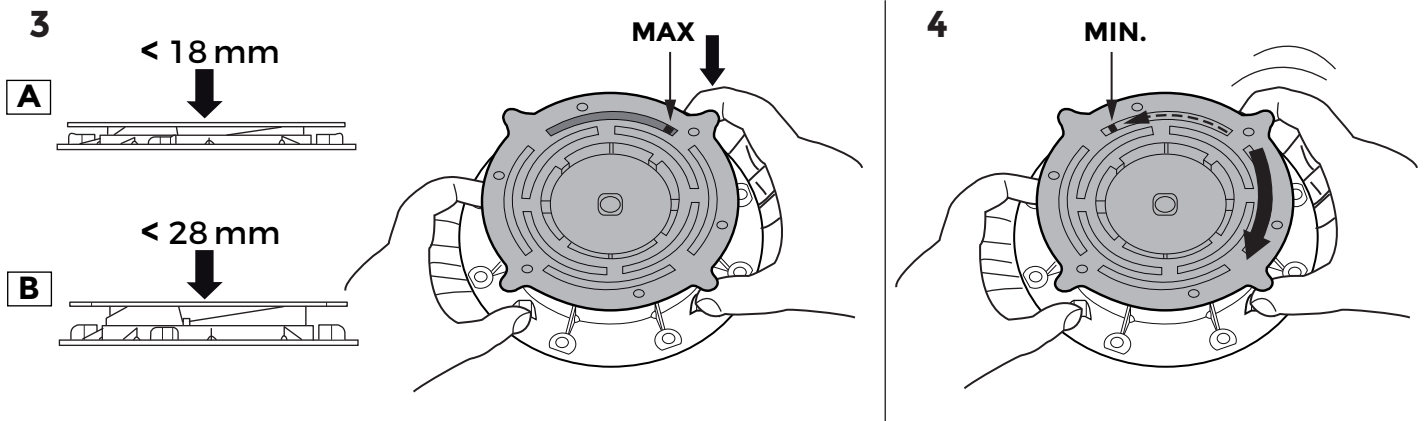
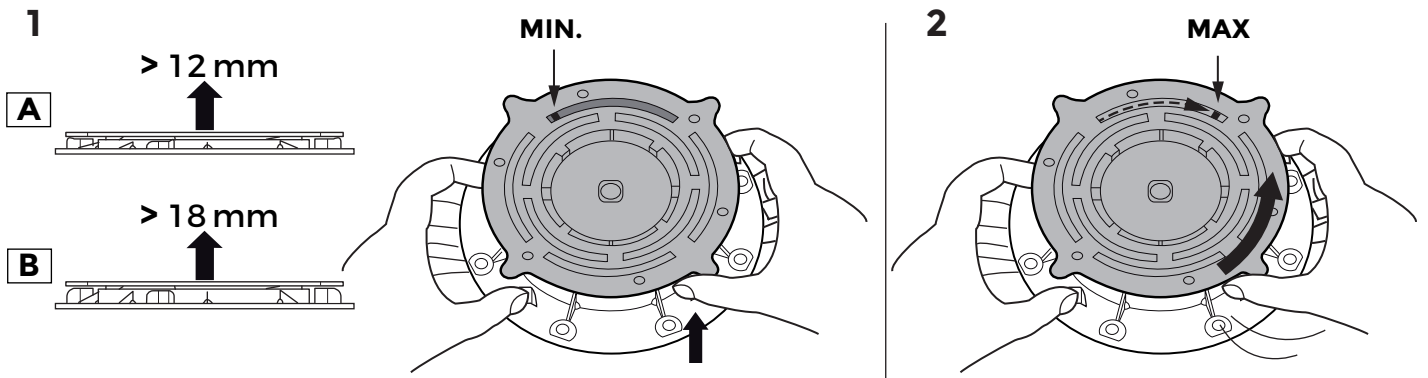
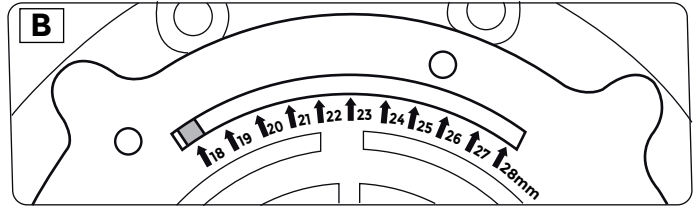
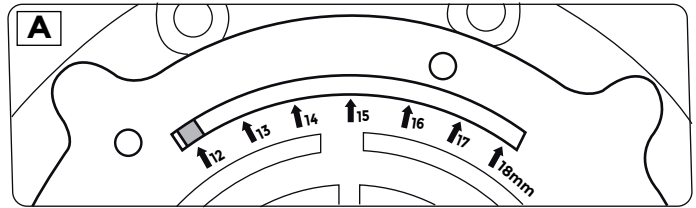
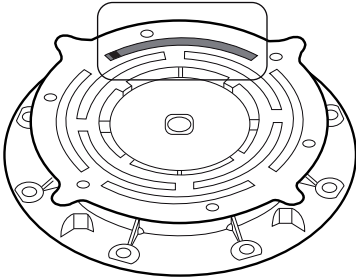


- A** PB-0-S12 12-18 mm
- B** PB-0-S18 18-28 mm



**U-E10 1 mm**  
**U-E20 2 mm**

**Tabs 2/3/4.5 mm**

**PB-0-S12**  
**PB-0-S18**

