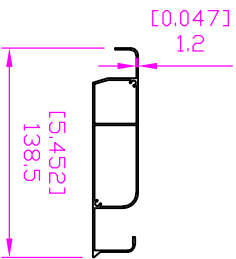
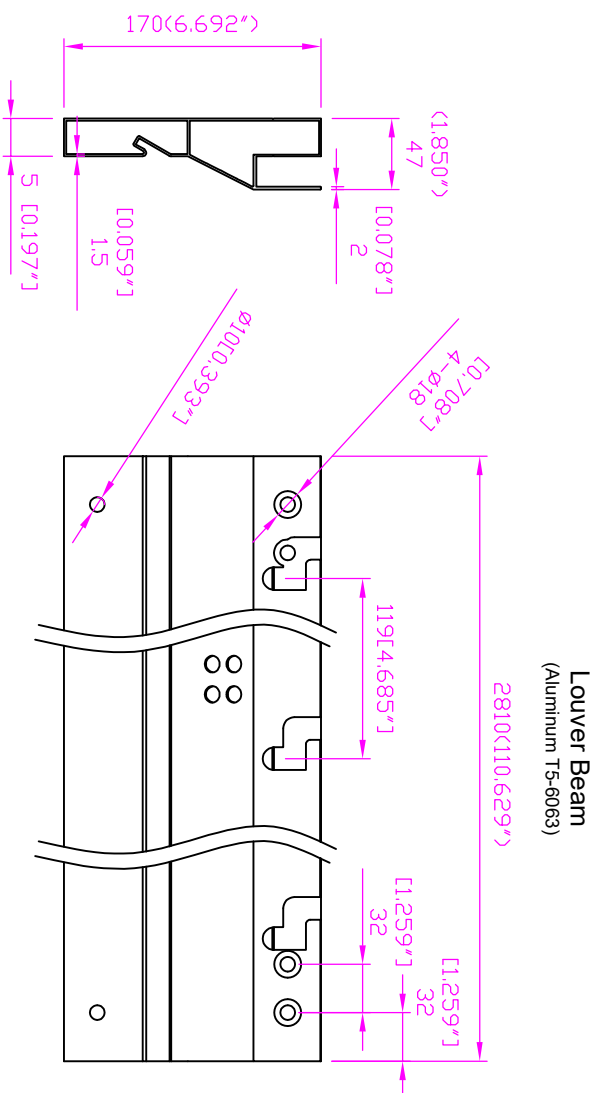
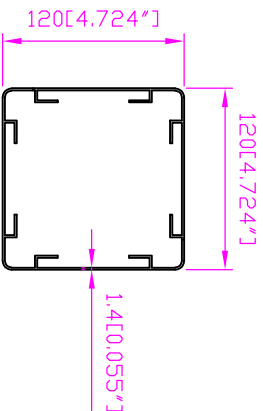


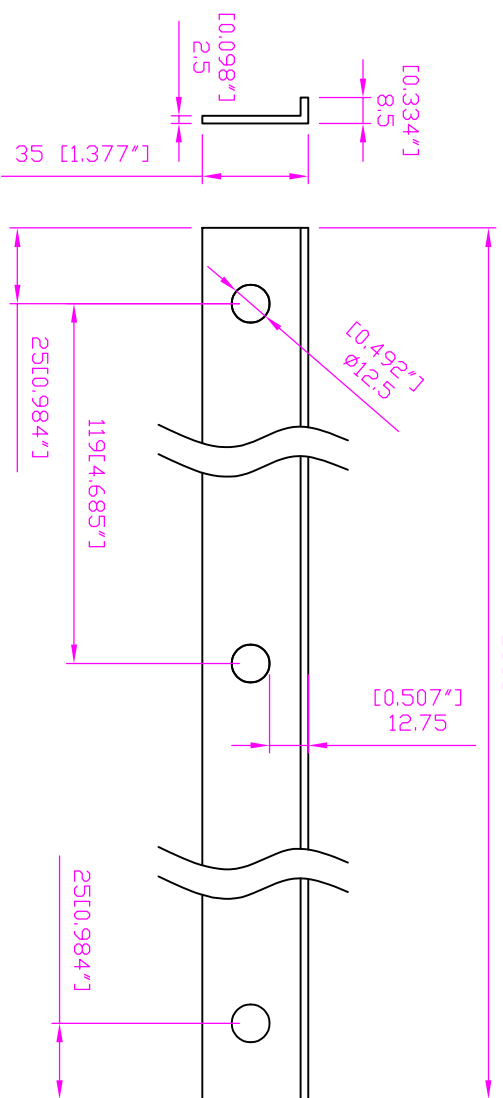
Common Louvers
(Aluminum T5-6063)

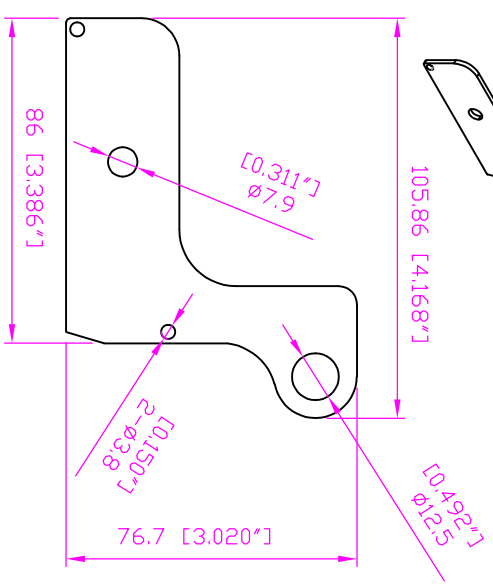
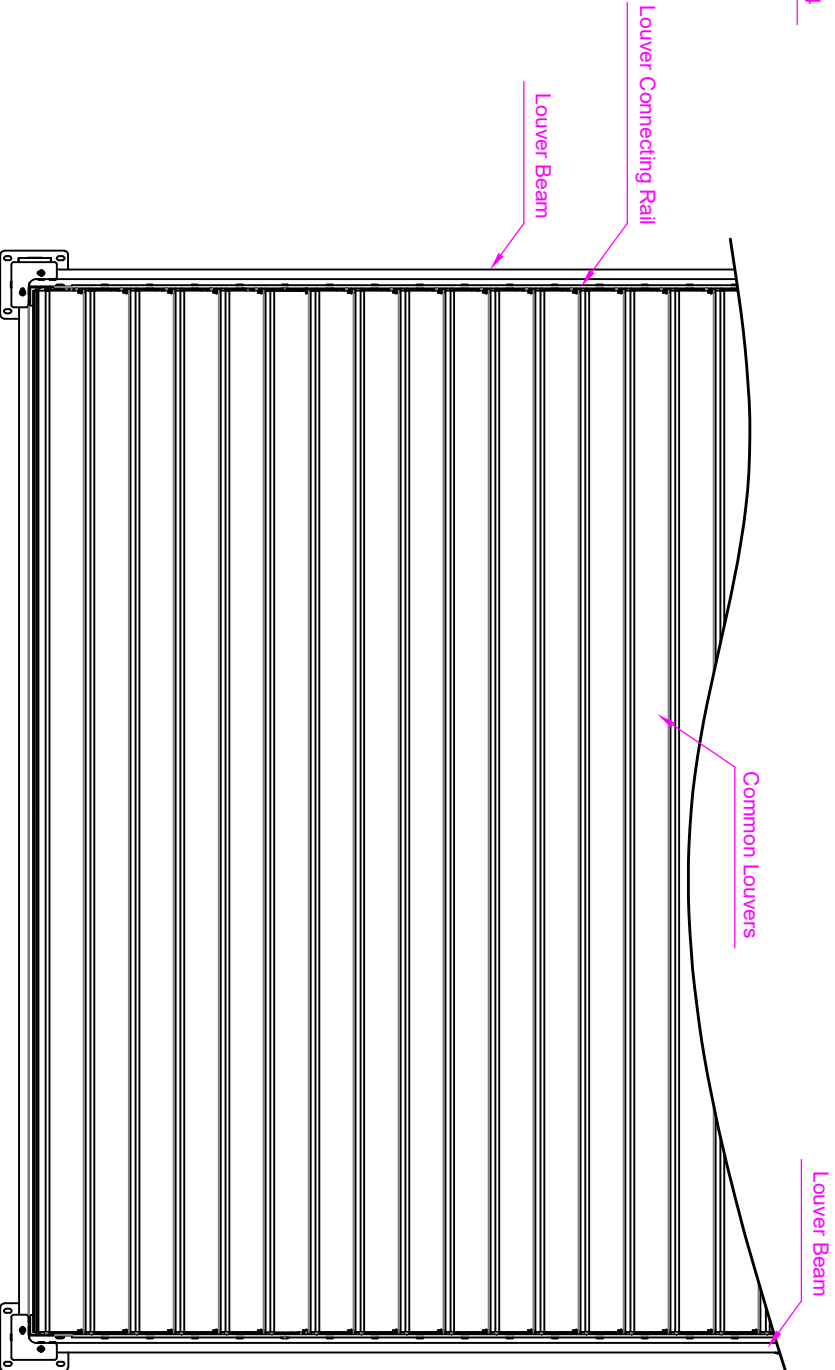
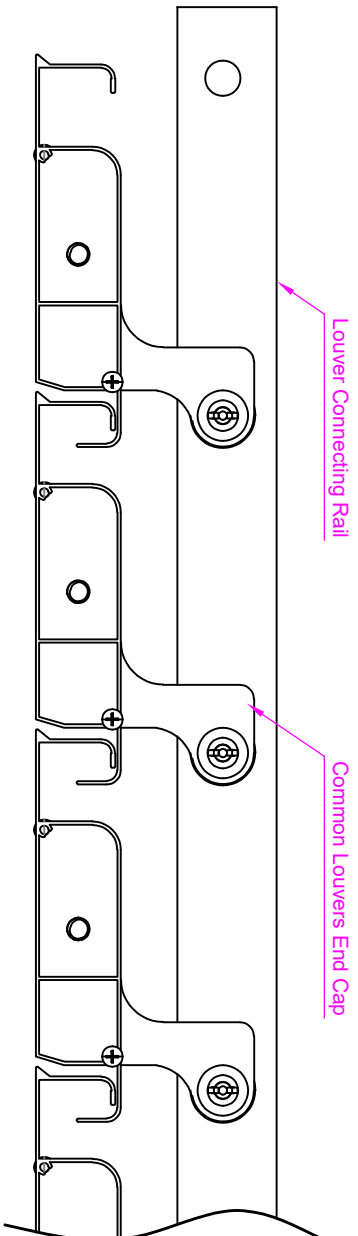
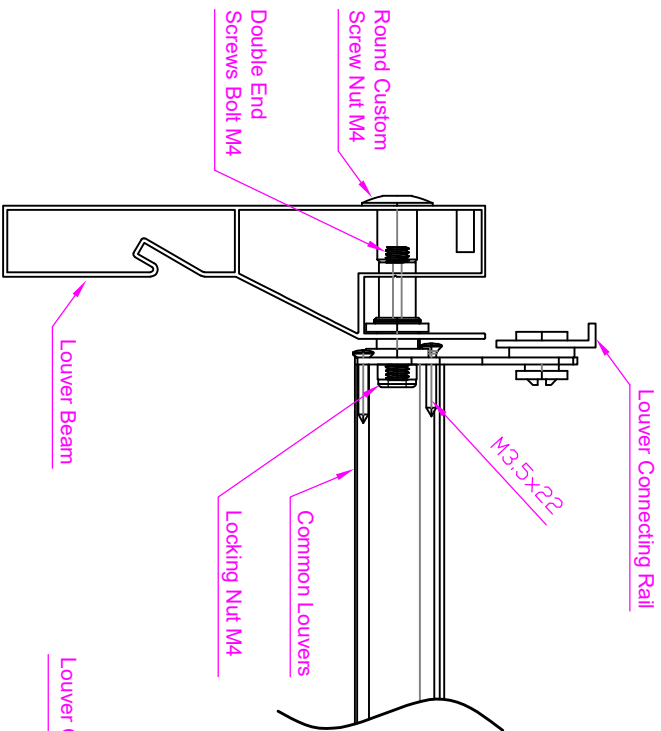


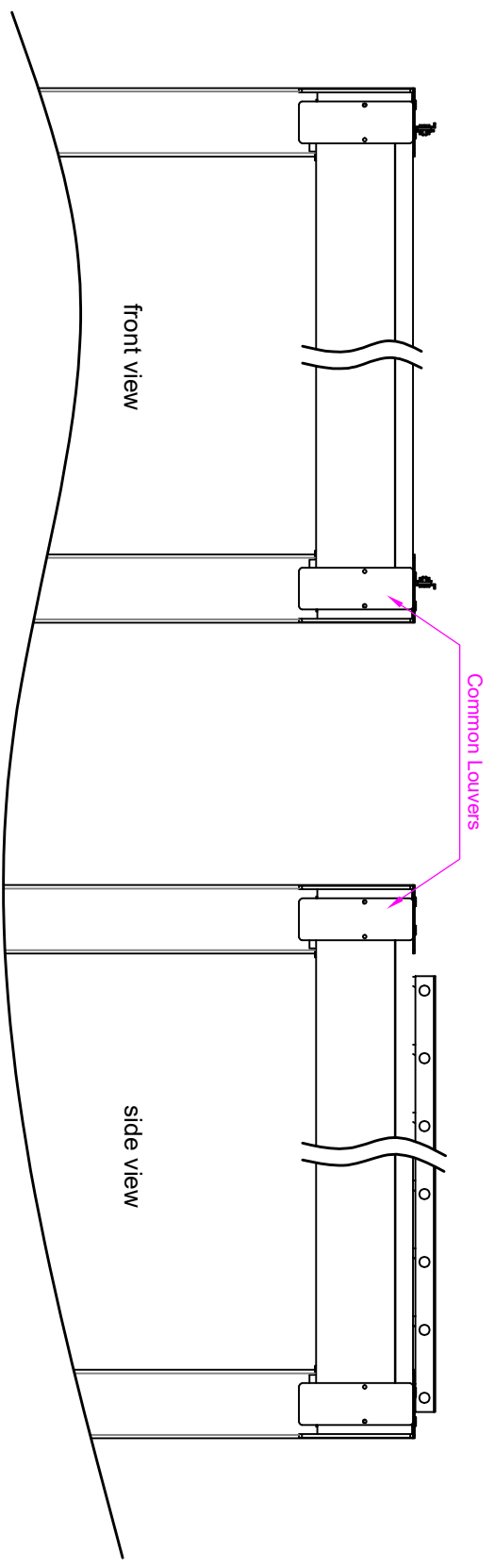
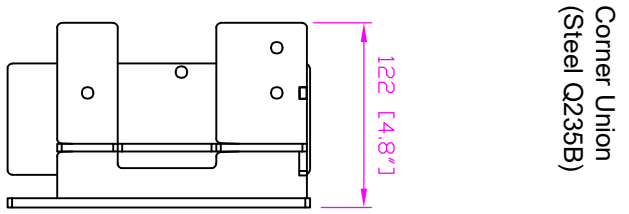
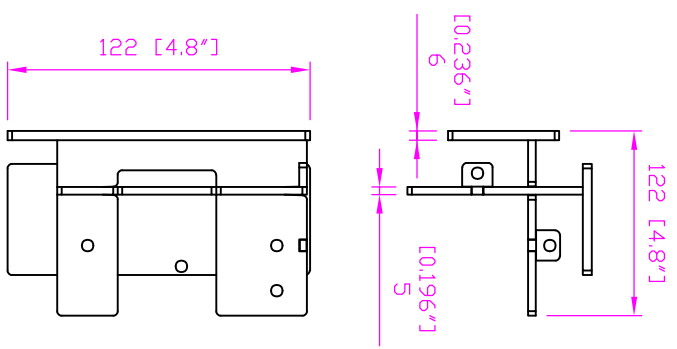
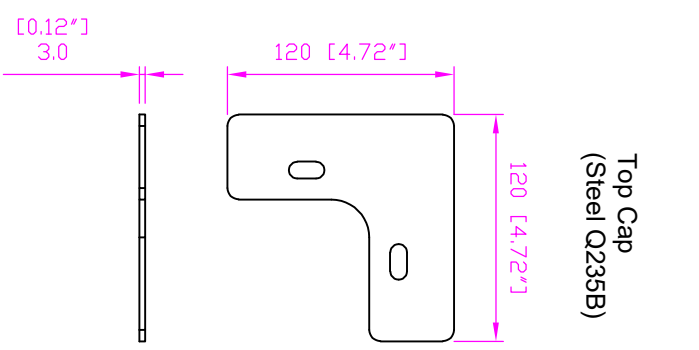
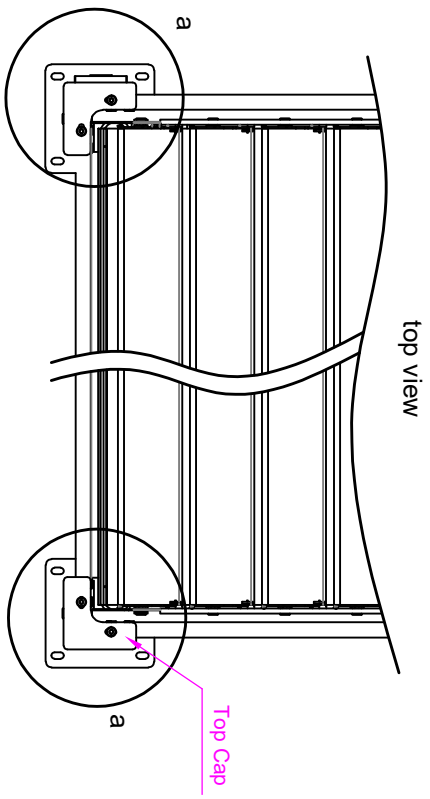
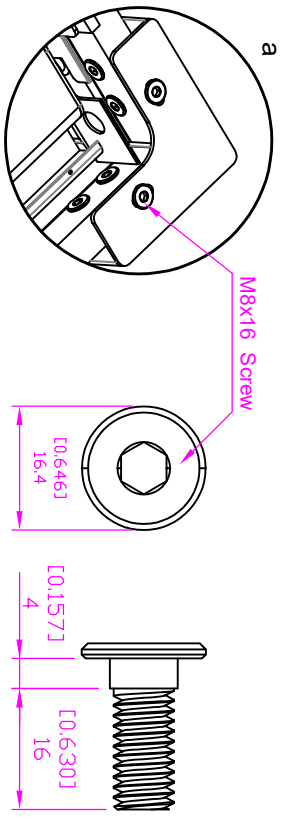
Pillar
(Aluminum T5-6063)

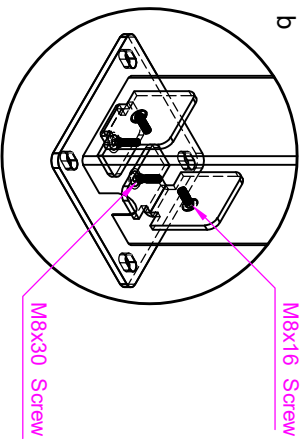


Louver Connecting Rail
(Aluminum T5-6063)

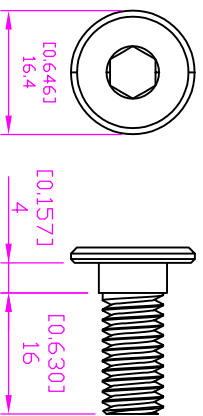




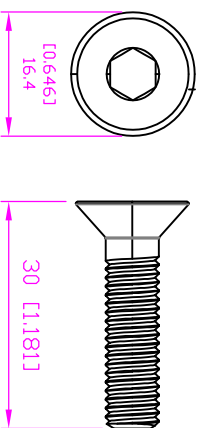




M8x16 Screw



M8x30 Screw



Ground Fixture
(Steel Q235B)

