

Instructions Manual

Vaudeville



Thank You for acquiring a GlammFire product.

In order to activate your 2 year GlammFire warranty, please register your product on www.glammfire.com/en/about/warranty or fill you warranty card and send it with a purchase document copy with a 30 day deadline to our address. For further information please consult the chapter *Warranty*.

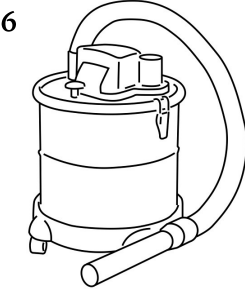
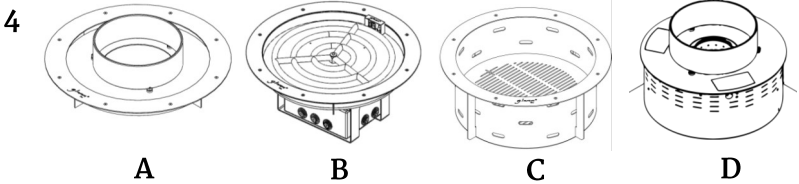
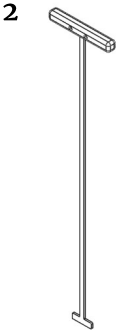
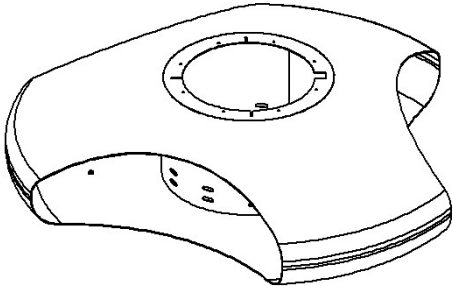
INDEX

1—Material Provided	4
2—Security Instructions	5
2.1—Ventilation	5
2.2—Cautions	5
3—Fuel	7
3.1—Charcoal	7
4—Installation	7
4.1—Flammable Materials	7
4.2—Materials: stone/metal/ceramics	7
4.3—Other non-flammable materials	7
4.4—Installation Procedure	8
5—Maintenance	13
6—Overall Dimensions	14
7—After-Sale Service	14
8—Warranty	14

Please read this Instructions Manual carefully before using your device. It contains important installation, utilization and maintenance guidelines, that should be followed correctly, in order to ensure a durable use of your exclusive barbecue. All present warnings and cautions must be respected. Keep this manual for future reference. This Instruction Manual is subject to change without notice.

1—Material Provided

- 1—Vaudeville
- 2—2x Handles (option firewood)
- 3—Protection Cover
- 4—Combustion Zone
 - A—Bioethanol
 - B—Gas
 - C—Charcoal/ Wood
 - D—Fire Round (indoor use)
- 5—Barbecue Mitt
- 6—Ash Vacuum (option firewood)



2—Safety Instructions

2.1—Ventilation

It is recommended that you keep a good ventilation of the area, in order to ensure a healthy level of oxygen.

Ensure the device is only used outdoors.

2.2—Cautions:

GlammFire is concerned about your safety, therefore we have taken all necessary consideration for conception, fabrication, assembly and transport, to ensure perfect functioning.

We therefore ask you to thoroughly follow our instructions for assembly, use and maintenance:

- While the Fire pit/ Barbecue is on, keep it under supervision;
- Keep children and animals away from the Barbecue. Children do not recognize danger. Therefore make sure children are kept at a safe distance; keep children under surveillance while the device is on;
- DON'T use the Fire pit/ Barbecue for indoors heating. Carbon monoxide fumes are toxic and may cause asphyxiation;
- Make sure the Fire pit/ Barbecue is installed on a levelled and fire-proof surface;
- Before using the Fire pit/ Barbecue make sure every part is correctly installed and accordingly tight;
- The Fire pit/ Barbecue is not a device for commercial use;
- The Fire pit/ Barbecue should NOT be used on boats or other vehicles;
- Always pay attention to local, state and national legislation when using the GlammFire Fire pit/ Barbecue . Contact local fire department for details on this type of device usage;
- **Attention:** While functioning the GlammFire Fire pit/ Barbecue may reach extremely high temperatures, on combustion zone and it's periphery. Do NOT touch it. Potential contact areas with skin may cause severe burns;

- In case of fire, use a fire blanket;
- Do NOT use water to extinguish the flame;
- Do NOT use chemicals to clean the barbecue, they might damage the materials. In case of doubt contact the retailer;
- Do NOT try to move the device while it's on;
- Do NOT use loose or flammable clothing while using the GlammFire Fire pit/ Barbecue , this situation might be dangerous to the user;
- Do NOT use the GlammFire Fire pit/ Barbecue under dangerous circumstances;
- Do NOT store or use gasoline or any other flammable vapours or liquids near the GlammFire Fire pit/ Barbecue ;
- Do NOT use the GlammFire Fire pit/ Barbecue near automobiles, trucks, recreational vehicles or any other sort of vehicle;
- NEVER ignite the Fire pit/ Barbecue with gasoline or any other flammable liquid;
- Make sure the GlammFire Fire pit/ Barbecue cools down completely before proceeding to it's cleaning;
- Only use certified firelights for flame ignition;
- It is totally unadvised the utilization of the GlammFire Fire pit/ Barbecue after or during the ingestion of alcoholic beverages or medication that might harm the user's visual or intellectual capacity;
- Always use appropriate tools to handle (add or move) wood and embers;
- Do NOT add flammable material in excess, only use the advised in the utilization chapter;
- While igniting and even during the functioning of the GlammFire Fire pit/ Barbecue never lean over the combustion zone;
- The GlammFire barbecue must be regularly thoroughly inspected and clean. Read the **Maintenance** chapter of this manual;
- After a period of storage and/or non-usage check the conditions of the GlammFire Fire pit/ Barbecue and don't use it until confirmation that it is clean and in perfect use conditions.

3—Fuel

The Right Fuel

3.1—Charcoal

The Fire pit/ Barbecue with charcoal grill option it's designed to work with xylanthrax/wood coal. Other fuels are not recommended.

It's unadvised the utilization of other flammable fuels.

Note: Do NOT burn newspapers, cardboard, magazines, etc. A barbecue it's not an incinerator.

4—Installation

4.1—Flammable materials

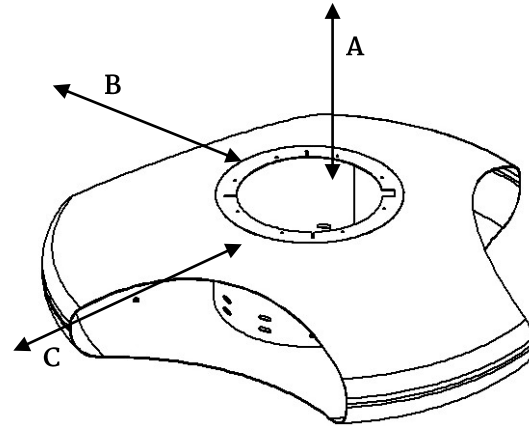
- Do NOT place flammable materials near the barbecue in a 5 meter radius;
- Trees and bushes as well as any other kind of vegetation should be at a 10 meter distance from the combustion zone;

4.2—Materials: stone/metal/ceramics

- A - 1000 mm;
- B - 1500 mm;
- C - 1500 mm;

4.3—Other non-flammable materials

- A - 1500 mm;
- B - 2000 mm;
- C - 2000mm;



4.4—Installation Procedures

The Fire pit/ Barbecue should be carefully unpacked, two persons are needed (minimum) for the assembly.

Place the fireplace in the desired location.
The surface should be as level as possible.

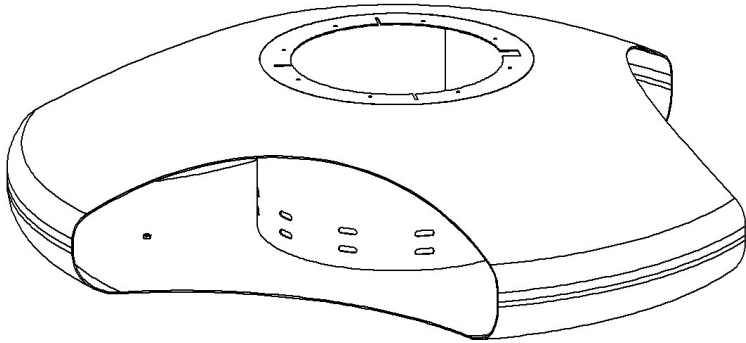


Figure 1 – Fire Pit /Barbecue

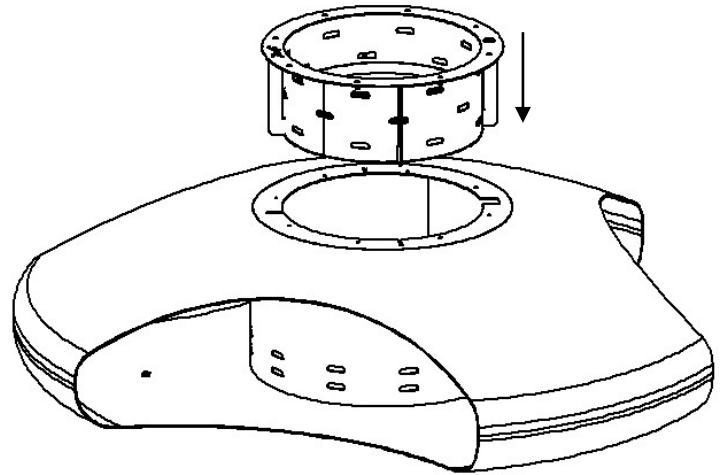


Figure 2 – Place the combustion zone

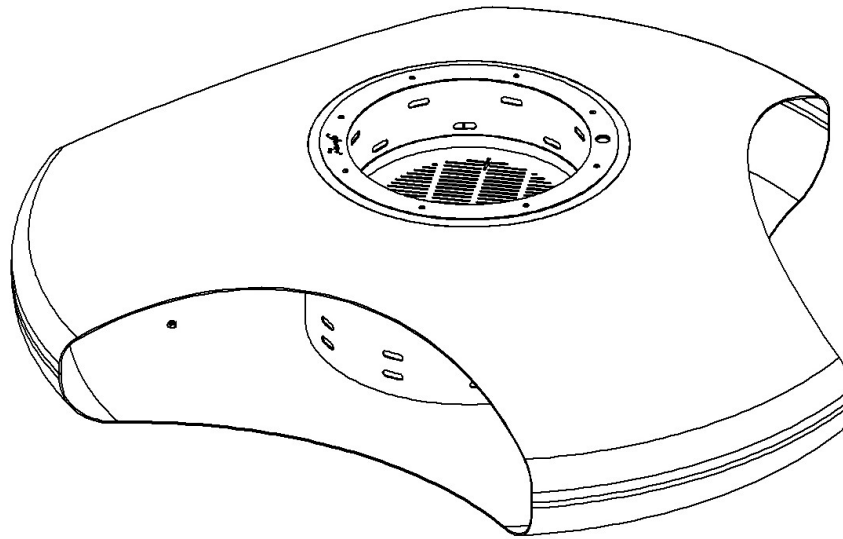


Figure 3 – Combustion zone placed

Remove the ashes

To remove the ashes use the two handles, that are provided in. Insert the handle into the respective orifice of the fuel compartment.

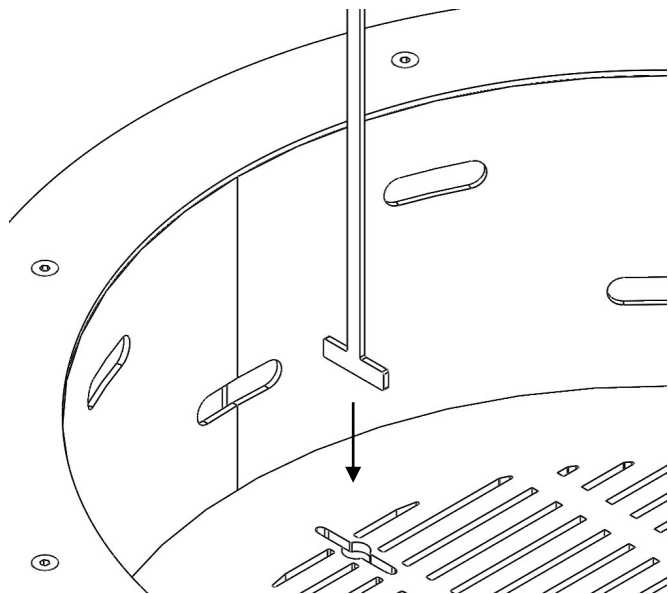


Figure 4 – Opening for the handles

Then rotate the handle at 90 degrees.

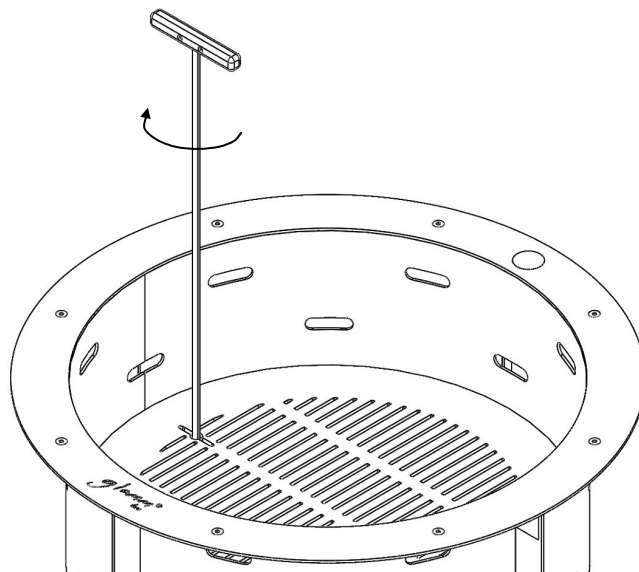


Figure 5 – Handle rotation

Until the handle is in a crosswise position.

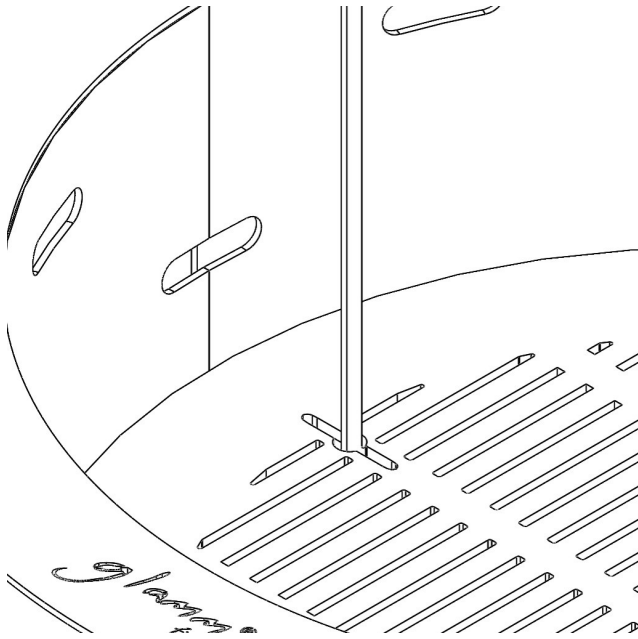


Figure 6 – Handle in transverse position

Follow the same procedure for the other handle, and remove the base of the combustion zone, pulling on the two handles at the same time.

Use the same handles to remove the ashtray, located below the combustion zone.

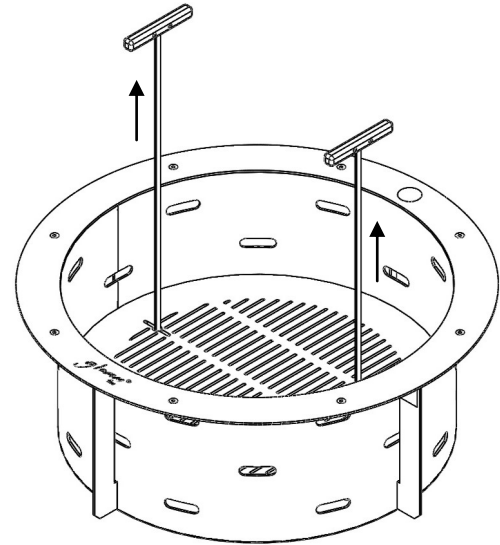


Figure 7 – Combustion zone base removal

Put the handles on the fittings, as shown in picture 8, fitting on the opening that is shown.

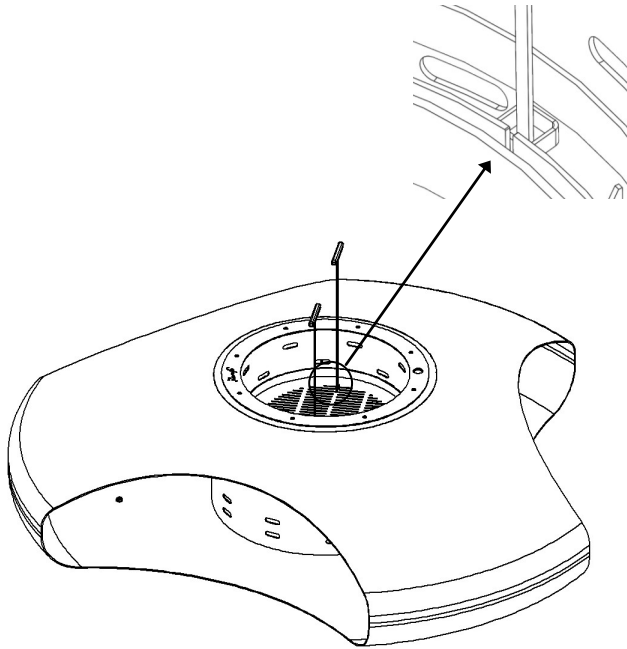


Figure 8 – Handle fitting

Remove the ashtray pulling both handles at a time. After removing the ashes, put the ashtray on the combustion zone as well as the base that was previously removed.

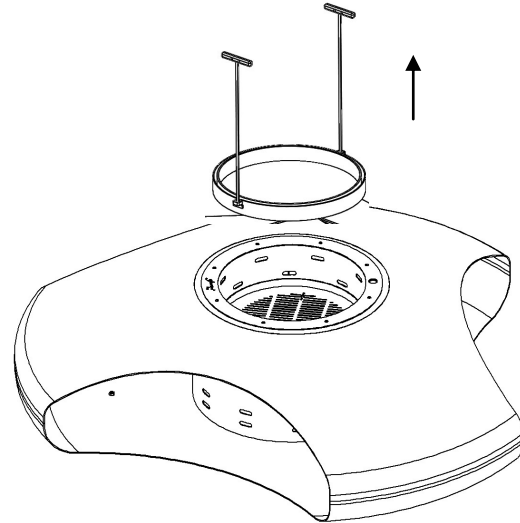
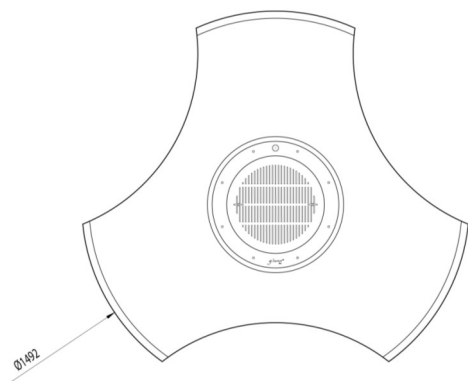
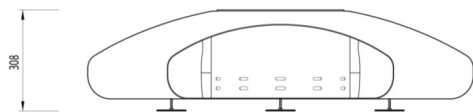


Figure 9 – Ashtray removal

5—Maintenance

- Cleaning must be carried out with each use of the fire pit/ barbecue with wood or charcoal. Residues resulting from burning must be removed so that each use of the combustion is perfect;
- Never use chemicals not suitable for cleaning stainless steel;
- Do not use steel wool or abrasive sponges. The surface can be scratched by these;
- For food preparation utensils, they should be cleaned after each use with neutral PH detergents and then thoroughly rinsed in order to avoid any residue;
- GlammFire can not be held responsible for any damages resulting from incorrect and / or fraudulent use of the product. GlammFire can not also be held liable for failure to observe the instructions for cleaning or applying and / or using any other cleaning techniques;
- **Note:** Failure to comply with the above rules will void any factory warranty on all fire pits or barbecues, with the customer losing the right to require repair under warranty.

6—Overall Dimensions



measures in mm

7—After- Sale Service

In the event of an anomaly, consult a specialist.

8—Warranty

Thank You for acquiring a GlammFire product.

In order to activate your 2 year GlammFire warranty, please register your product on <http://www.glammfire.com/en/about/warranty> or fill you warranty card and send it with a purchase document copy with a 30 day deadline to our address. For further information please consult the chapter Warranty.

All of our Bio-ethanol Fireplaces and Burners, Electric Fireplaces, Fire Pits & Barbecues are warranted against manufacturing defects for a period of 2 years from the date of purchase.

This warranty does not cover replacement of glass, batteries, damage caused by accident or misuse of the appliance, or assembly / disassembly not indicated in the instruction manuals. If the product fails (not taking into account the events described above) during the warranty period, it will be replaced free of charge.

The warranty is exclusively applicable to the original purchaser and is not transferable in any case. All repairs must be carried out with the utmost care and by a qualified technician. The use of spare parts other than those specified by the manufacturer will void the warranty of the appliance.

IMPORTANT: Product registration does not require proof of purchase if it is made through our website, and should be based on the date of purchase. It will be assumed that the information provided will accurately reflect the information on the proof of purchase, which will be required at the time of repair / replacement service for any / all products that are covered by the warranty.

If there is a conflict of information, the information indicated on the proof of purchase will be considered accurate and true and the guarantee will be evaluated accordingly.

GlammFire is always concerned with the environment. This is reflected when the projection of their products and their packaging. Focusing on the reduction of energy consumption, raw materials, natural resources and quantity of waste generated, GlammFire follows the policy of the 4R's (Reduce, Reuse, Recycle and Recover). Thus GlammFire have in mind the use of long lasting products as well as reusable and recyclable products.

GlammFire recommends reusing the packaging GlammFire separately and deposit plastic, paper, cardboard and glass in the appropriate collection point.

"In nature nothing is created, nothing is lost, everything is transformed."

Antoine Laurent de Lavoisier

GlammFire fireplaces are manufactured under the strict Standard of the world recognized ISO 9001:2008 Quality Assurance Certificate. GlammFire products are designed with superior components and materials, assembled by trained craftsmen who take great pride in their work.

Once assembled the complete fireplace is thoroughly inspected by a qualified technician before packaging to ensure that you, the customer, receive the quality product that you expect from GlammFire.

glamm[®]
fire



GlammFire
Recuperadores Pachinha, Lda.
Zona Industrial da Lagoa, Lote G1
4950-850 Monção
Portugal

info@glammfire.com

T. +351 251 654 800 | F. +351 251 654 801

www.glammfire.com



/ glammfire