

MODELS



Round

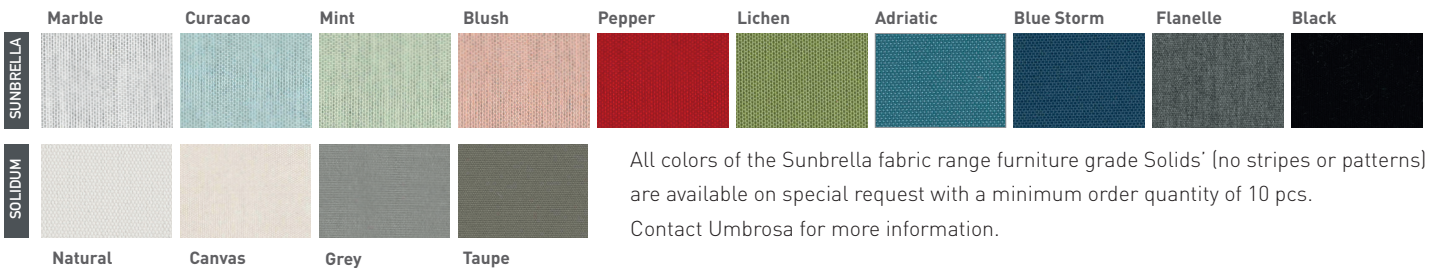


Square

POSITIONS



COLORS

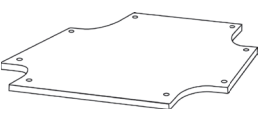


DIMENSIONS

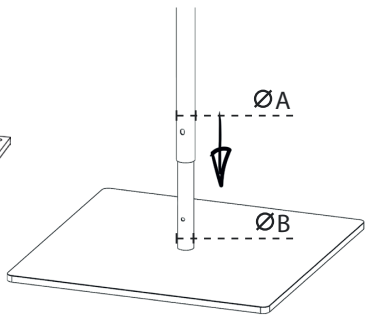
	$\pm 2\%$ -----	A cm/ft	B cm/ft	D mm/inch	E = A cm/ft	F cm/ft
	3m/9' 10"	275/9'	225/7' 5"	Ø50x2 / Ø2"x0.1"	275/9'	117/3' 10"
	2,5m/8' 20"	275/9'	225/7' 5"	Ø50x2 / Ø2"x0.1"	275/9'	90,5/2' 11"
	3m/9' 10"	275/9'	225/7' 5"	Ø50x2 / Ø2"x0.1"	275/9'	55/1' 9.7"

DIMENSIONS FOR BASE AND ROUND SUPPORT

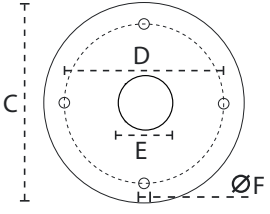
Extra weight plate
Infina base



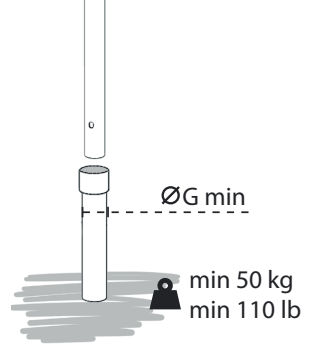
Base



Fixed spigot for
ground mounting



Requirements for other bases

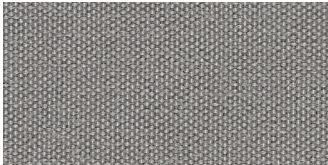


60 x 60 cm - 20 kg - galvanized
(recommended for 3x3 square)

	A mm/inch	B mm/inch	C mm/inch	D mm/inch	E mm/inch	F mm/inch	G mm/inch
spigot and post dimensions	50/2"	45/1.8"	215/8.5"	170/6.7"	45/1.8"	11/0.43"	52/2.1"

For non-permanent base options - see spec sheet Installation Options

MATERIALS



FABRIC

Solidum – 100% Acryl 255 gr/m²
 Sunbrella – 100% Acryl 260 gr/m²
 More details – see spec sheet Fabrics
 Confection Scheme:



Solidum 3m RO, 3m SQ, 2,5m SQ
 Sunbrella 3m RO, 2,5m SQ



RIBS

Naturally anodized aluminum



POLE

Naturally anodized aluminum or powder coated aluminum RAL 8022 (Dusk)

OTHER MATERIALS

Cables : stainless steel Ø 2mm
 Top plate : aluminum powder coated RAL 7047 TEC (Grey) or RAL 8022 TEC (Dusk)
 Hub: marine grade stainless steel (316)
 Rope: Ø 5mm

For projects – consult Umbrosa for powder coating finish options (RAL).
 Contact us for the details on the MOQ.

PACKAGING & TRANSPORT

Infina	L (cm)	W (cm)	H (cm)	Weight (kg)	L (")	W (")	H (")	Weight (lbs)
Umbrella box	281	27	27	11	9'2"	10"	10"1/2	24.2

NICE TO KNOW

- Spare parts available
- Designed and manufactured in Belgium
- Warranty between 15 and 2 years, see Warranty Sheet
- Download manual (QR-code included)
- Storage bag included (PU coated fabric)
- Wind speeds up to 6 beaufort, 50 km/h, 31 mph when base is permanently fixed (for details, please check our pricelist)
- Tested at TU Delft

The content of this document, in particular the mentioned models, is protected by copyrights and/or design rights. The present document and its content is communicated to you for information purposes only. Any partial or total reproduction or any other use without our prior written permission is strictly prohibited. This technical sheet remains subject to possible changes. Of course we do our best to eliminate all mistakes, but Umbrosa is not responsible for the errors in the documentation of products. All measurements are approximate and are provided for informational purposes only.