

SHADOWSPEC UNITY™

MULTI CANOPY CANTILEVER UMBRELLA



P01/23



OWNERS MANUAL

Installation, Operation, Care and Warranty

www.shadowspec.com

Hello,

For a stress-free installation we suggest you read this manual in full before assembling your new Shadowspec Umbrella.

Help extend the life of your umbrella investment by reading and following these care instructions on a regular basis.

Thank you for your purchase, we appreciate it.

Enjoy the shade, courtesy of Shadowspec.



Warranty Information	4
Product Registration and Warranty Validation	5
Stage 1 - Key Dimensions of Your Shadowspec Unity	6
Shadowspec Unity Part Naming	7
Umbrella Location - Planning Your Umbrella Location	8
Installation Spacing - Multiple Umbrellas	9
Installation - Umbrella Orientation	10
Stage 2 - Installation of Your Umbrella Mount	11
Option 1 - Free-standing Base	12
Option 2 - In-Ground Anchor	14
Option 3 - Surface Plate	16
Surface Plate Wooden Deck Install	18
Surface Plate - Equipotential Bonding	20
Option 4 - Wall Base Bracket	21
Mounting Option - Spec-Sheets & Sizes	22
Stage 3 - Assembling your Shadowspec Serenity™	24
Stage 4 - Mounting your Shadowspec Unity™	26
Stage 5 - Fabric Canopy Installation	28
Stage 6 - Operating your Shadowspec Unity™	29
Accessories - LED Lights	30
Accessories - Raingutter	31



Warranty Information

THE SHADOWSPEC WARRANTY:

Shadowspec guarantees that Shadowspec Unity Umbrellas, that are installed in accordance with our guidelines, will be free of defects in materials and workmanship for the period of time as set out and specified below:



*Fabric Warranty relates to your umbrella Fabric Canopy.
Protection Cover Warranty is 3 years.

**In commercial applications, the Fabric and Frame Warranty is 3 years.

The obligation of Shadowspec under this warranty is limited to faulty manufacturing, defective materials and mechanical failure when your umbrella has been used and cared for appropriately from the date of invoice. If an umbrella is repaired under warranty, the warranty period will not be extended.

Shadowspec shall, at its sole discretion, determine whether repair or replacement is appropriate. This warranty does not cover the following:

- Damage caused by an accident, negligence, storm, wind, accumulation of water or snow, or caused by an act of God, incorrect installation, not following Shadowspec's Care and Maintenance instructions, incorrect use or natural ageing and fading.
- Damage caused by exposure to hazardous atmospheric situations due to industry or a high salt level.
- Small colour variations between the fabric and the colour samples and between the components and profiles, which are caused by the manufacturing process.
- Damage by a third party.
- Repair by a third party or labour costs.

Your Shadowspec Unity Umbrella has been designed to handle all conditions in which people are comfortable relaxing outdoors, and more. Our recommendation is that when the weather outside is uncomfortable to sit down and relax in, that you lower your umbrellas. Specifically, our umbrellas have been tested to wind levels at and above Beaufort 5. This is subject to your umbrella being sufficiently anchored. To avoid possible wind damage, we recommend that your umbrella be closed in wind levels above this point (40kmh/25mph) to protect your investment and extend the useful life of your umbrella.

This warranty doesn't protect against your umbrella Fabric Canopy becoming unserviceable due to strength loss from normal usage and exposure conditions. The foregoing sets out the extent of this warranty.

Shadowspec shall not otherwise be liable or responsible for any direct, indirect, incidental or consequential damage, costs or losses of any kind arising out of or in connection with your umbrella or components or for any delay by Shadowspec or the component manufacturer in undertaking repairs or replacement under this warranty.

Except as expressly provided herein, all other warranties, representations, conditions, undertakings, rights, duties or liabilities, whether arising by implication of law or otherwise, are hereby expressly excluded.

If you need to enquire about a warranty claim, please either contact Shadowspec direct or the sales agent you purchased your Shadowspec Unity from.

PRODUCT REGISTRATION

It's important that your product is looked after and that starts with registration to validate your warranty. Please visit our website at the link below to register your product.

www.shadowspec.com/register



Umbrella Care and Maintenance

Regular care and maintenance of your umbrella is essential.

The following points will assist in keeping it looking smart and clean while also ensuring its ongoing performance and reliability.

- To extend the life of your umbrella as long as possible, we recommend purchasing a Protection Cover for your umbrella and covering your umbrella with it whenever it is not in use.
- Close and cover your umbrella in adverse conditions. This includes heavy rain, snow, hail and high wind.
- Take care when opening or closing your umbrella - always check for obstacles such as; trees, ladders, furniture, people.
- Umbrellas should never be left stored or collapsed for long periods while wet. Always ensure that the fabric is dry before storing or closing for long periods of time.
- Any early signs of mould or mildew **must** be removed as soon as it's discovered.
- Your umbrella's Fabric Canopy is removable and washable. See fabric cleaning instructions below.
- Never clean any part of your umbrella with a corrosive or abrasive product or a high pressure hose.
- Never use waterproofing or cleaning sprays on your Fabric Canopy without seeking appropriate advice first.
- All moving parts on your umbrella are best maintained with an annual application of dry lubricator, such as a wax based spray.
- From time-to-time, inspect your umbrella and ensure all the accessible screws/bolts and other fixings remain tight. If they appear loose, tighten them with the supplied toolkit.

- Tips:**
1. *Keep your toolkit stored in a safe place for future maintenance.*
 2. *For commercial applications, contact us for our preventative maintenance guides.*

FABRIC CLEANING INSTRUCTIONS:

Shadowspec Fabric Canopies are manufactured from the most durable marine fabrics, threads and designs available. Shadowspec Fabric Canopies should be cleaned on a regular basis so dirt isn't allowed to build-up and become embedded in the fabric. You can clean your Fabric Canopy without removing it from the Frame if you prefer, or it's as easy to remove as it was to put on. Brush off any loose dirt and particles, hose it down and clean with lukewarm water temperature and mild soap. Rinse again to remove all the soap before allowing the Fabric Canopy to air dry.

Do not use heavy detergents!

If you have found a stain that won't come off with our standard cleaning instructions, a '303' Fabric Cleaner is recommended. First, trial a small area of the fabric to ensure there is no discolouration or adverse effect. After cleaning it's important that you treat the fabric with a water repellency agent. We recommend the '303' protectant is used to restore the repellency.

Note: When washing or cleaning, do not subject to excessive heat as the fabric will shrink. Do not steam press or dry in an electric or gas dryer. Always allow your Fabric Canopy to air dry. If you take the umbrella down for winter, take time to clean and air dry your Fabric Canopy before storing in a well ventilated area.

For full manufacturers recommendations regarding care of our Canopy Fabrics:
global.sunbrella.com/en-us/how-to-clean for detailed care instructions.



Stage 1 - Key Dimensions of Your Shadowspec Unity

As the Shadowspec Unity is available to you in a variety of configurations, care must be taken to check the sizing of your chosen umbrella in the following table.

Key Measurement Notes:

Free-Standing Base installations will add 165mm | 6" to the height

Surface plates will add 12mm | 1/2" to the height.

Adding Free-Standing Base wheels will add a further 45-80mm | 2-3" to the height.

Figure A - Shadowspec Unity Umbrella Dimensions

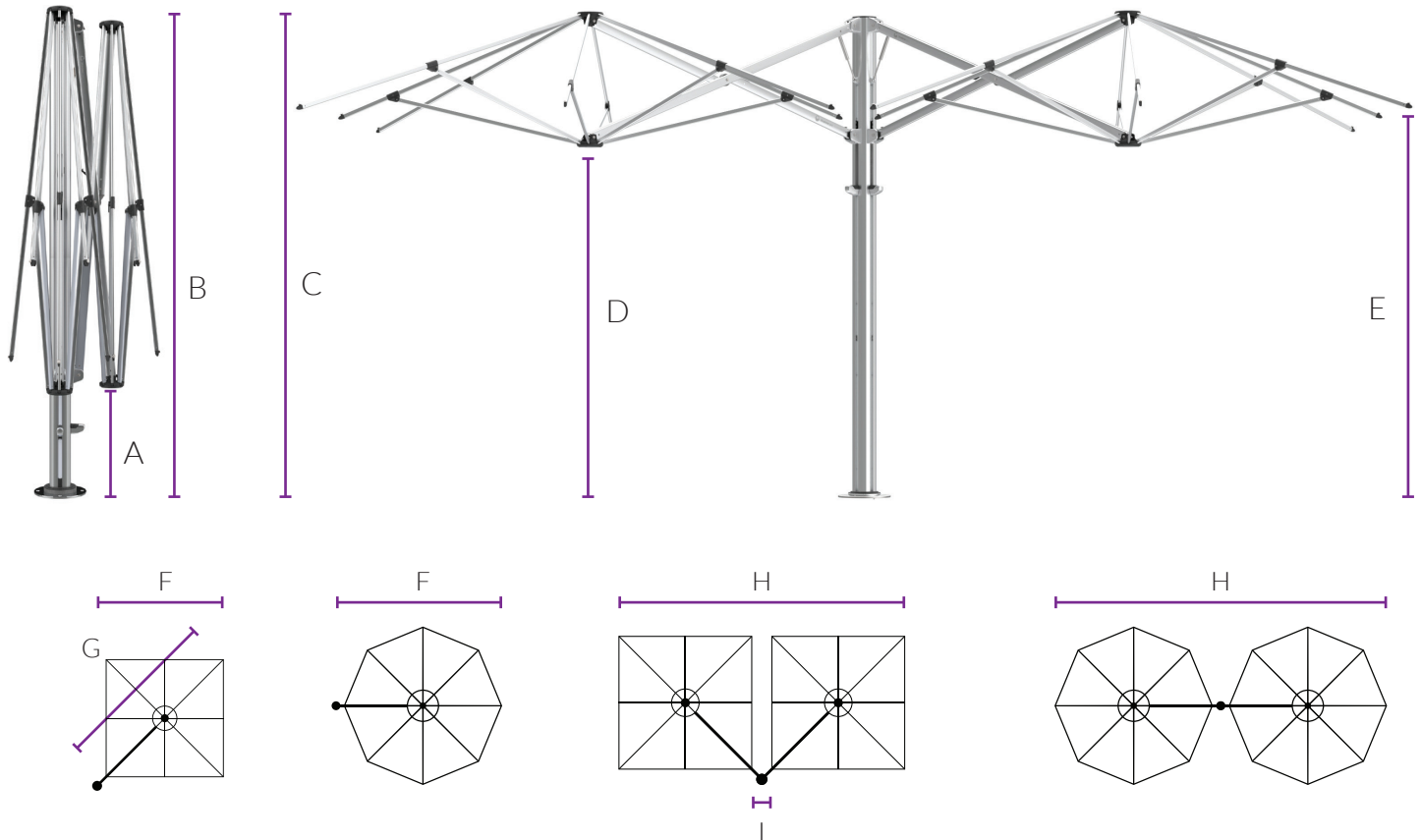


Diagram Legend	8'	2.5m	10'	3.0m	11'	4.0m	13'	4.0m
A Ground to central frame hub when closed*	2'10"	860mm	2'1"	620mm	3'7"	866mm	2'10"	866mm
B Total height to top of canopy*	9'6"	2900mm	9'3"	2824mm	9'9"	2899mm	9'6"	2899mm
C Height of umbrella to top of mast cap*	9'6"	2908mm	9'6"	2908mm	9'7"	2908mm	9'6"	2908mm
D Ground to central frame hub when open*	7'0"	2130mm	6'9"	2054mm	7'3"	2128mm	7'0"	2128mm
E Ground to lower outer edge of canopy*	7'3"	2222mm	7'3"	2219mm	7'4"	2172mm	7'2"	2172mm
F Centre of Spigot to outside edge of canopy	8'8"	2646mm	9'10"	2973mm	11'4"	3923mm	12'10"	3923mm
G Diagonal from centre of mast to corner	12'3"	3742mm	13'10"	4205mm	N/A	N/A	N/A	N/A
H Duo/Quattro Umbrella Width Edge to Edge	17'4"	5292mm	19'6"	5946mm	22'7"	6894mm	25'9"	7846mm
I Gutter Space Between Canopies	6"	160mm	6"	160mm	N/A	N/A	N/A	N/A

Note: All sizings and conversions are +/- 2.5mm / 2/32" and are subject to change without notice.

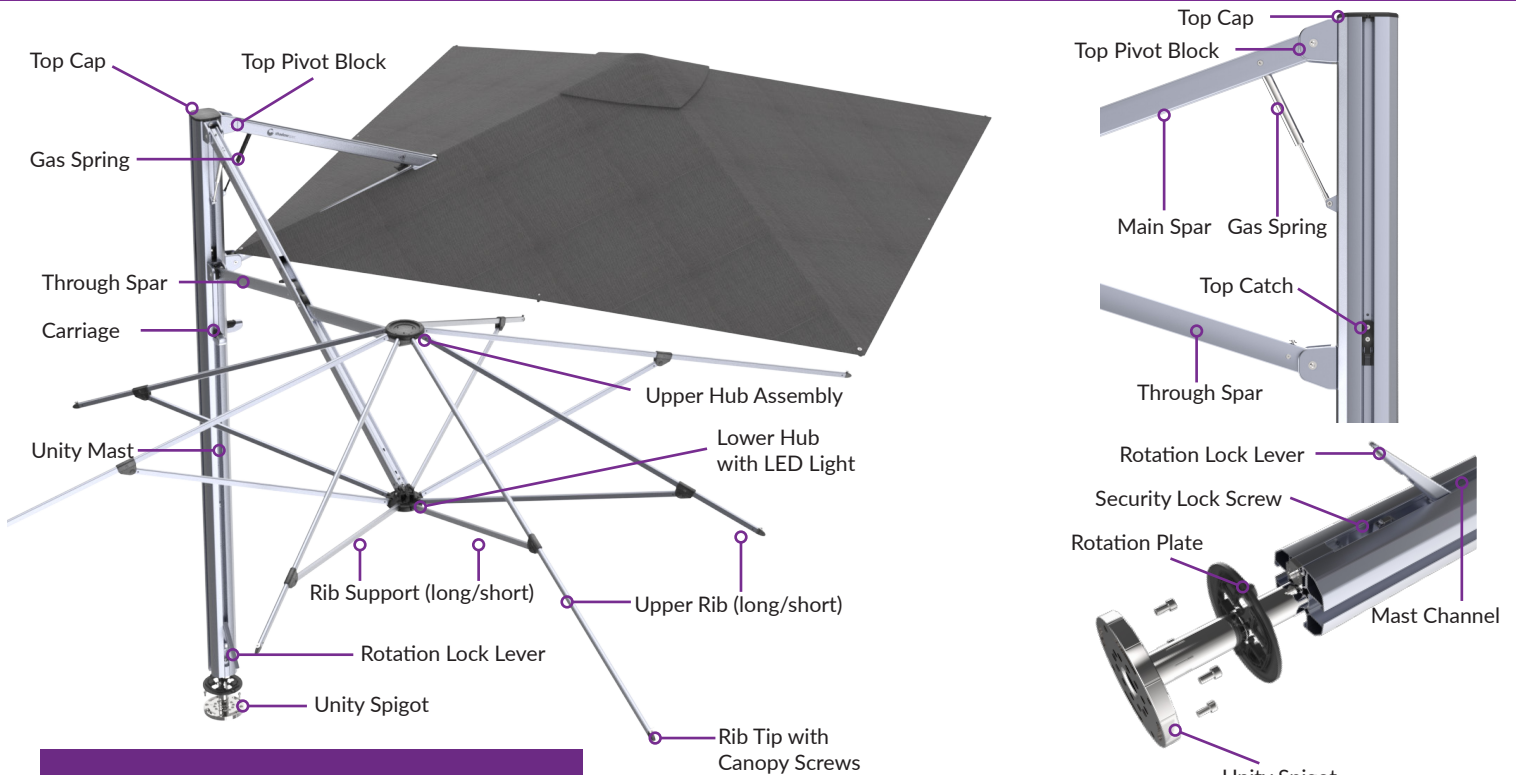
It is recommended for commercial installations that metric measurements are used for any umbrella spacing to ensure accuracy

Shadowspec Unity Part Naming

When unpacking your Unity umbrella please check you have all the correct parts pictured below before beginning assembly. If any parts are missing please contact support@shadowspec.com to resolve.

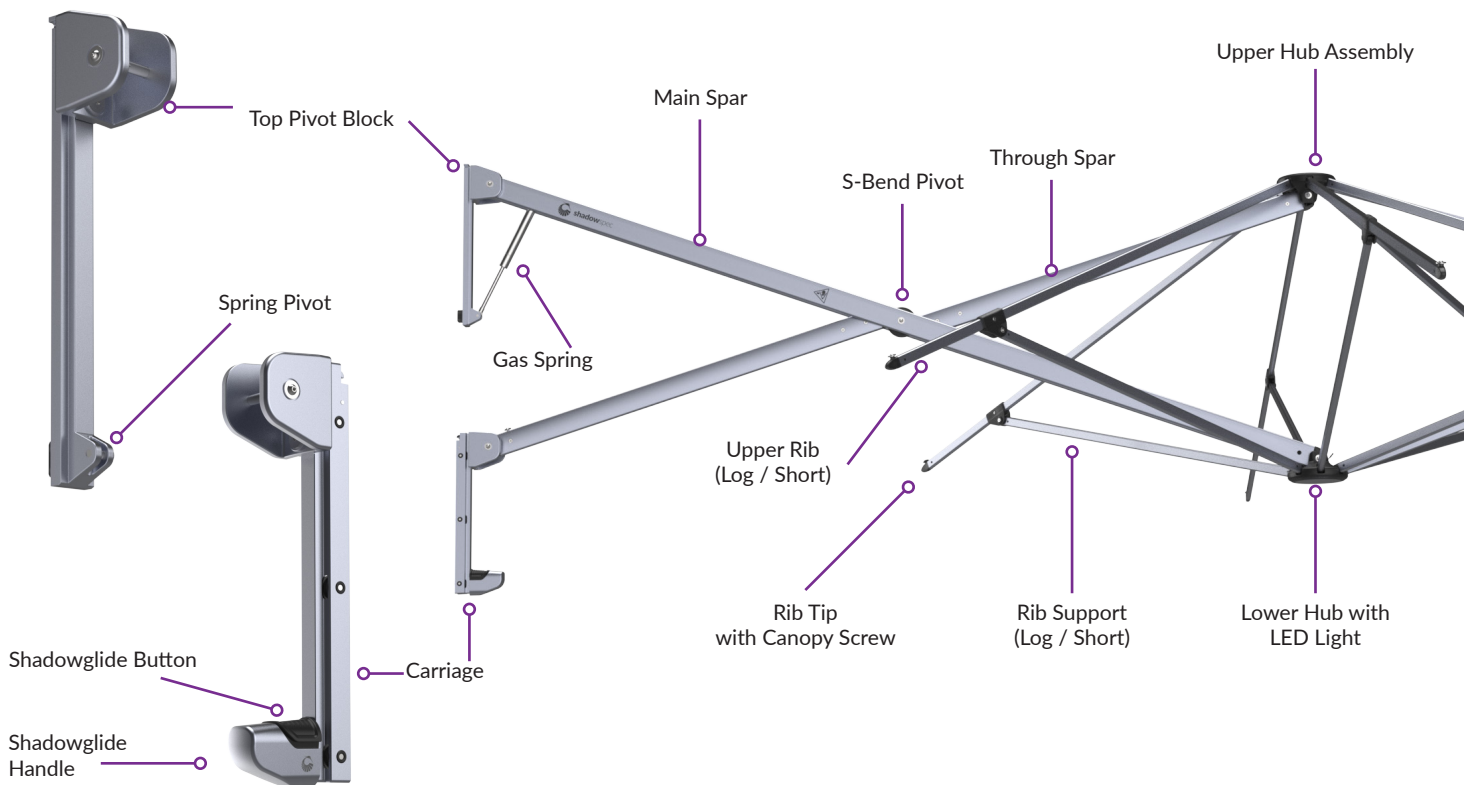
You will need to refer back to this page so why not earmark it for quick reference whilst you're assembling your umbrella.

Figure B - Unity Umbrella Parts



Also included: Hex Key Set, No. 17 Ring Spanner & a pot of grease for the spigot

Figure C - Frame Canopy Parts



Planning your Umbrella Location.

Special care is needed when selecting the best location for your umbrella. Some key points to keep in mind are:

1. Check that your chosen installation position will give you optimal coverage of the area you're looking to shade.
2. Consider the direction the sun travels during key months of the year. If unsure, we recommend downloading a free-to-use sun-tracker app to your smartphone.
3. Take care to double, or even, triple check your measurements.
4. Check measurements for the Rotation Lock Lever and its clearance when placing close to a wall.

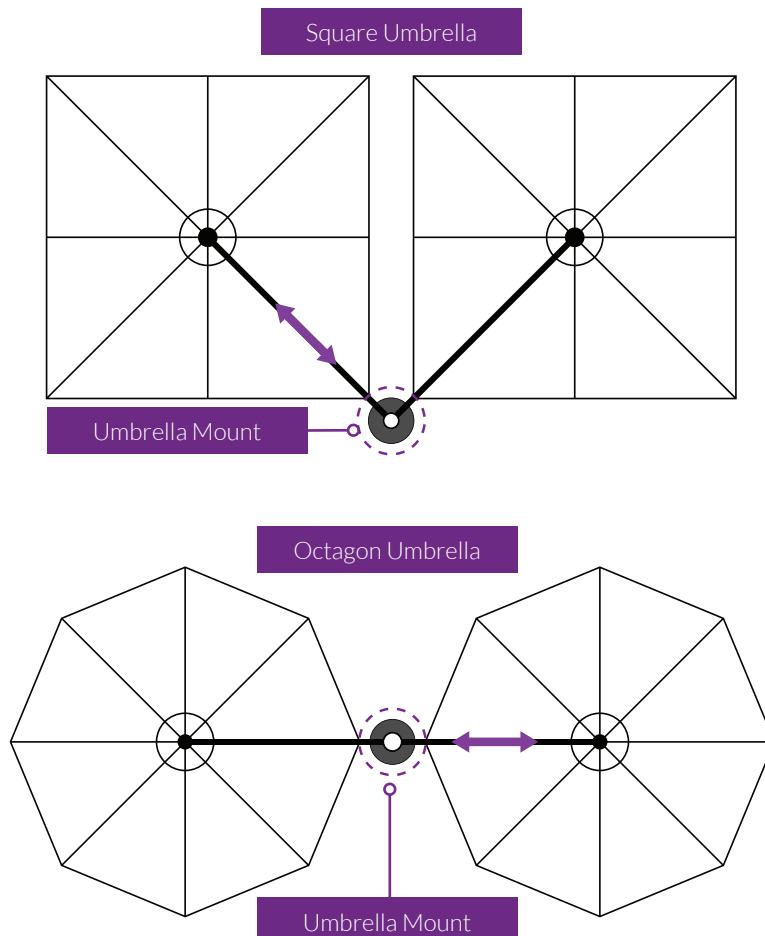
Detailed and up-to-date measurements and spec-sheets are available online at:
shadowspec.com/cad

Important note: Shadowspec Unity Frames

Your additional Frame will be affixed to the Unity Mast in a different Mast Channel based on your selected Frame shape. Square Frames will be affixed in the channels beside each other. Octagonal Frames will be affixed opposite each other.

When choosing the location of your umbrella and mount it is important to take this into account. Please be aware of the difference in mount location for the shapes as this will affect the location, including along walls.

Square and Octagonal Frame Orientation



Offset, Opposing & Reflecting Umbrellas.

A popular choice when installing Shadowspec Serenity and Shadowspec Unity umbrellas is to pair them in a “flock”. This, of course, requires specific measurements to ensure the umbrellas can open beside each other and in the case of square frames, fit an additional raingutter in between them.

The following diagrams will show you how far apart to set the Spigots of your Shadowspec Unity when matching it with another Shadowspec Serenity or Shadowspec Unity.

These measurements are from centre of the Spigot to the centre of the Spigot for the adjacent umbrella.

For accuracy, we recommend using the metric measurements. Below you will find several common layout options and the measurements relevant to them for your reference. Please also complete your own measurements to double check before installation. Contact customer@shadowspec.com with any installation or spacing questions.

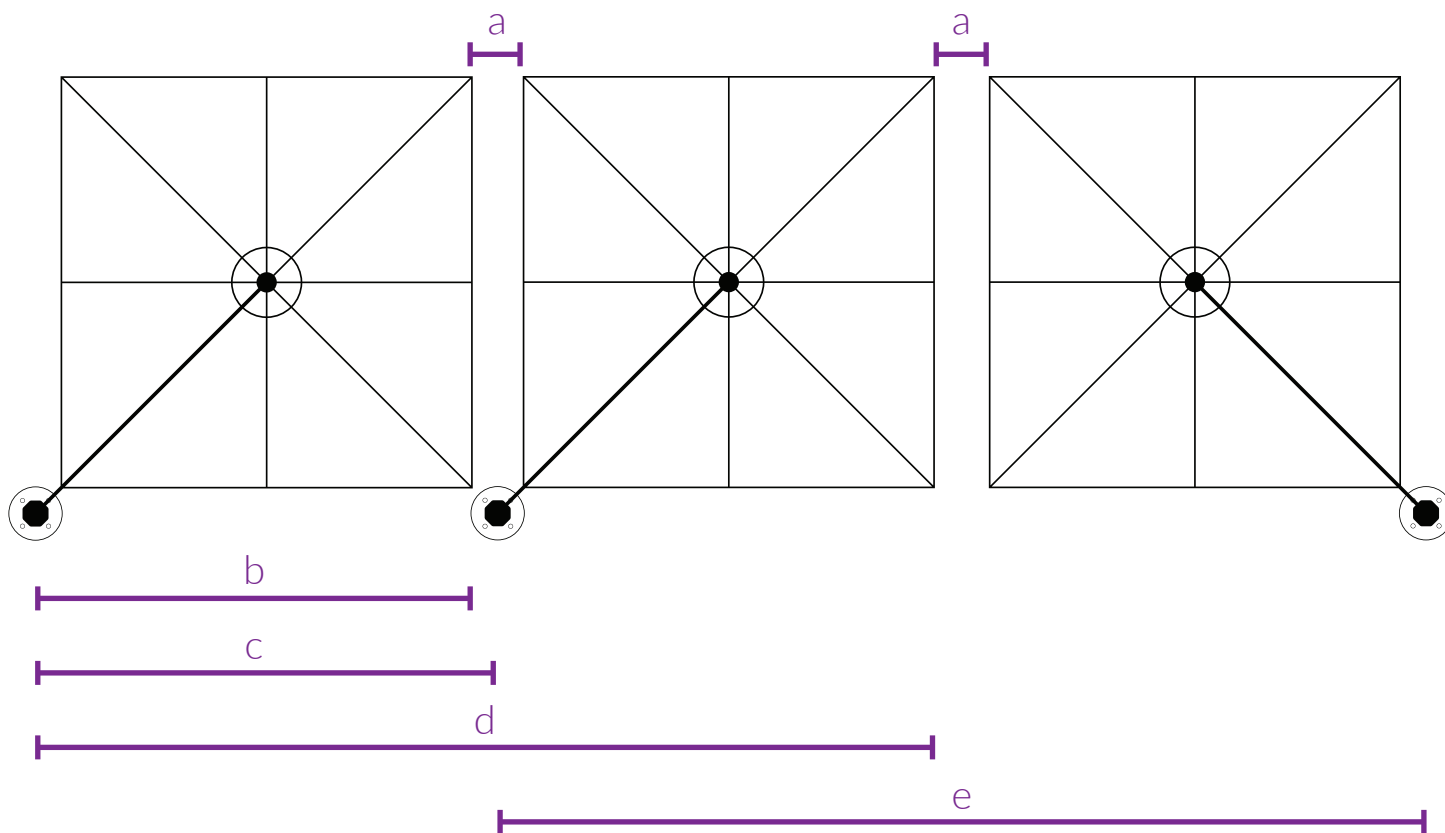


Diagram Legend	2.5m	8'	3.0m	10'
a Gap between Canopy Frames	158mm	6"	160mm	6"
b Centre of Spigot to outside edge of canopy	2648mm	8'8"	2980mm	9'9"
c Centre of Spigot to Centre of Second Serenity/Unity	2727mm	8'11"	3060mm	10'1"
d Centre of Spigot to outside edge of Second Serenity/Unity	5375mm	17'8"	6040mm	19'10"
e Centre of Spigot to Center of Second Spigot (reflected)	5454mm	17'11"	6120mm	20'1"

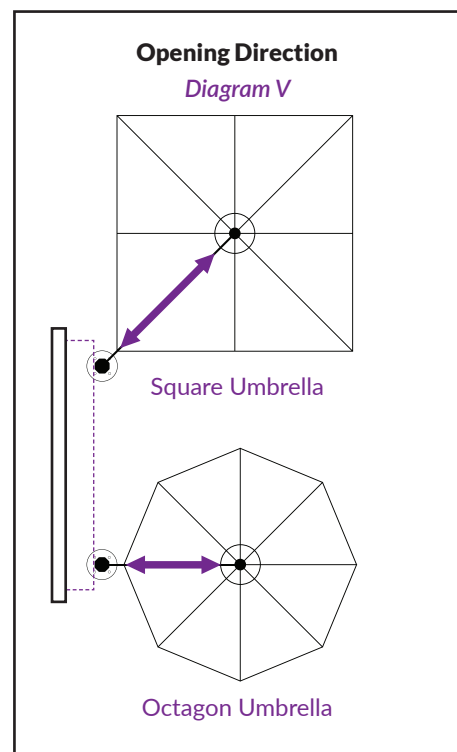
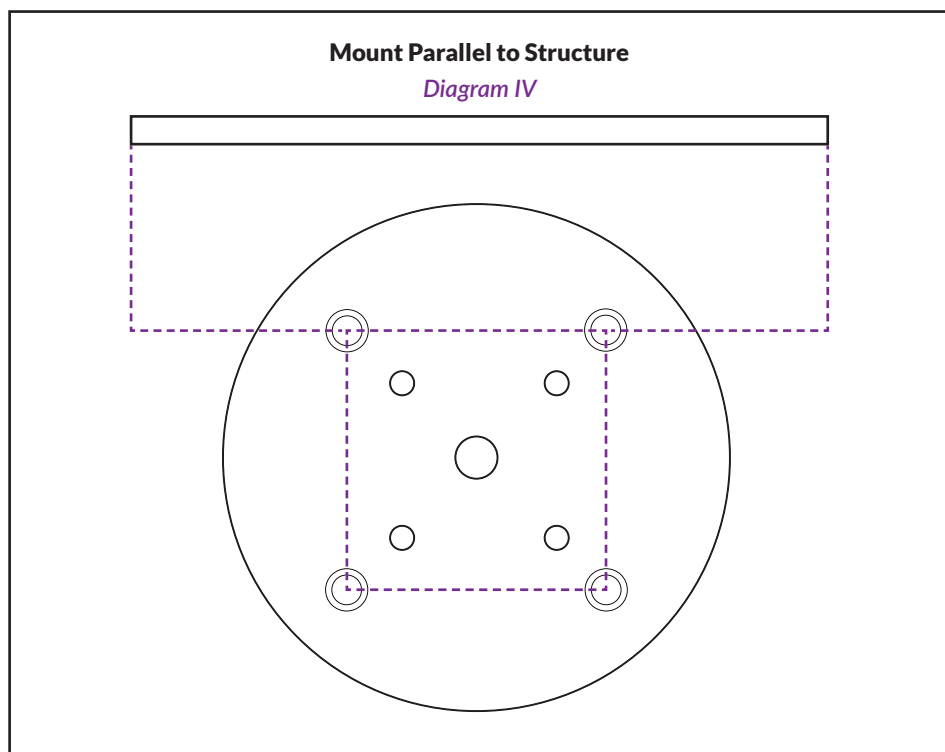
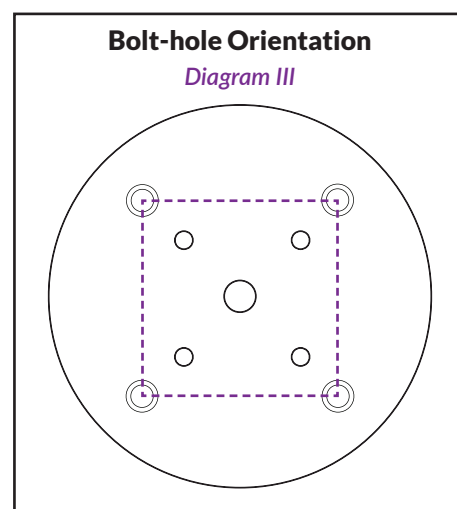
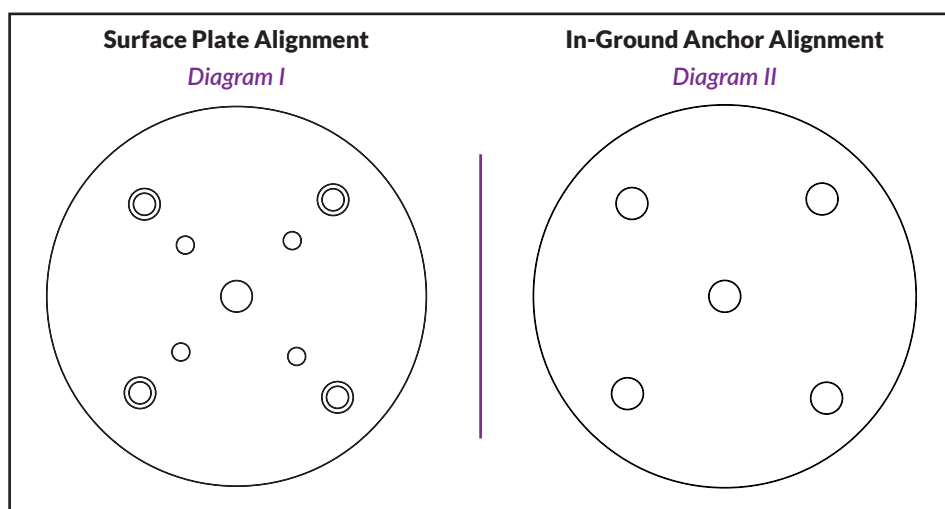
Note: All sizings and conversions are +/- 2.5mm / 2/32" and are subject to change without notice.

Aligning your Umbrella.

When you install your umbrella, you need to be conscious of the orientation in relation to the buildings, walls and other umbrellas in your space.

When installing your umbrella using the Surface Plate (page 16) or the In-Ground Anchor (page 14) you need to align the bolt holes with the existing structures.

- Step 1** Locate the Bolt Holes on your chosen mounting option. (Diagram I and II)
- Step 2** Draw an imaginary box along the center of each bolt hole to create a square. (Diagram III)
This will give you the orientation, required to match existing structures and other umbrellas.
- Step 3** Before creating any holes, align the square parallel to the existing structure. Any secondary umbrellas should then be aligned in parallel with the holes to ensure correct orientation. (Diagram IV)
- Step 4** Double check your measurements and orientation before affixing your umbrella. (Diagram V)



Stage 2 - Installation of Your Umbrella Mount

We offer four different mounting options. Please relate to the section relevant to your purchased mounting option. We recommend that you read through all of the instructions before starting. It's worth it, trust us.

- Step 1** First, unscrew the Security Lock Screw under the Rotating Lock Lever - *Figure D*.
- Step 2** Remove Spigot from your umbrella Mast.
- Step 3** Affix the Spigot to your mounting option of choice (**Options 1 - 4**).
- Step 4** Grease the Spigot with the supplied Spigot Grease.

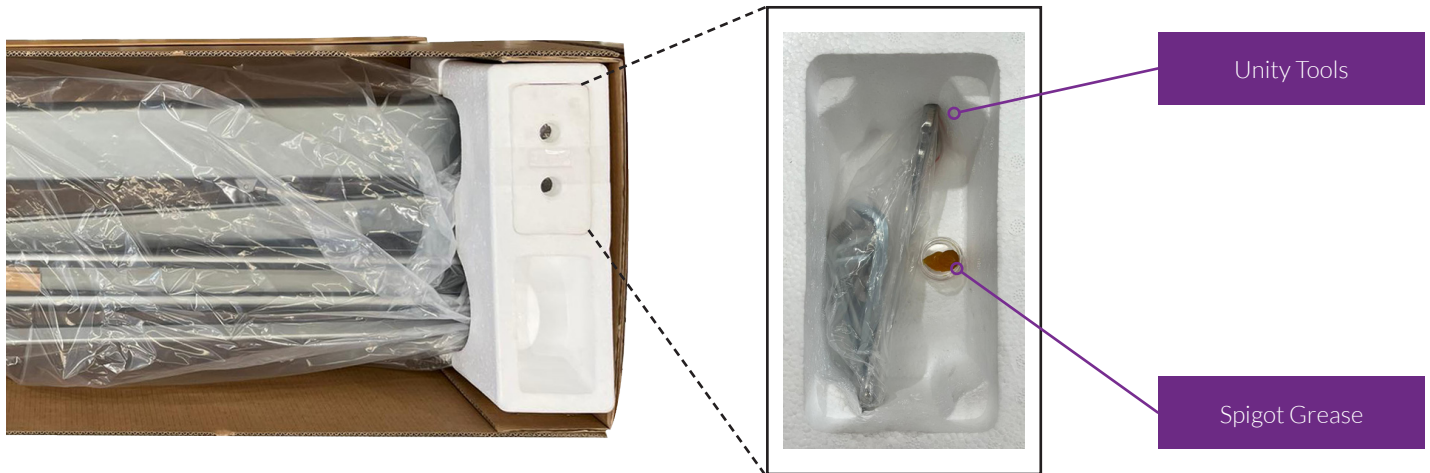
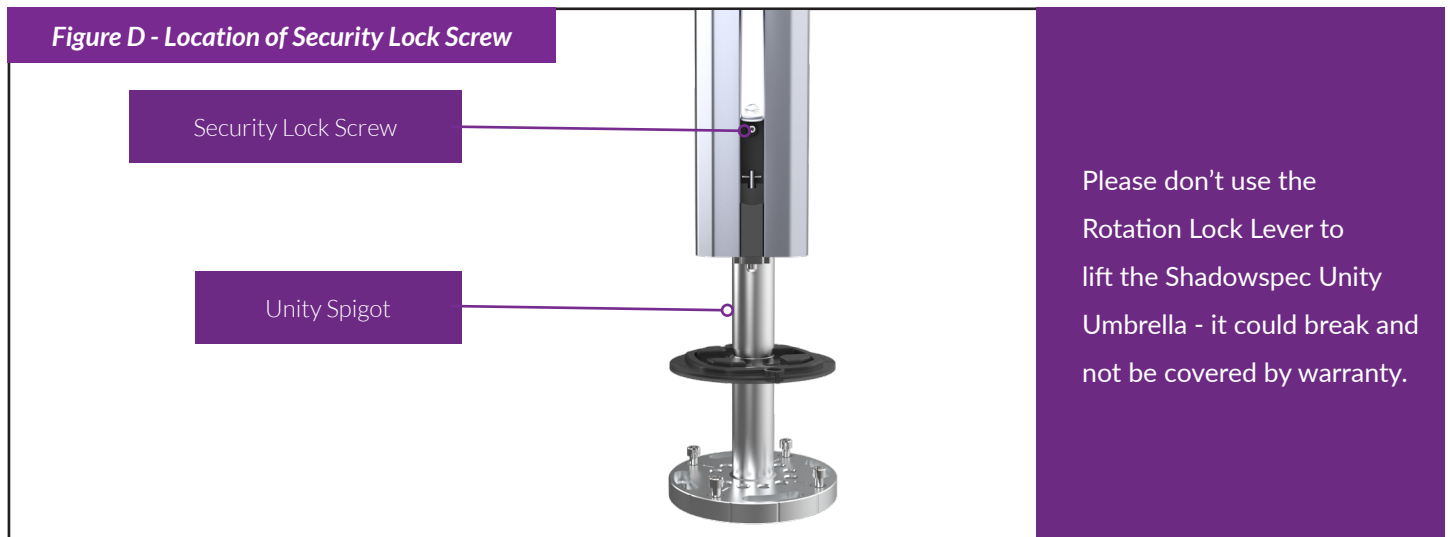


Figure D - Location of Security Lock Screw



1. Free-standing Base	2. In-Ground Anchor	3. Surface Plate	4. Wall Base Bracket
Page 12	Page 14	Page 16	Page 21

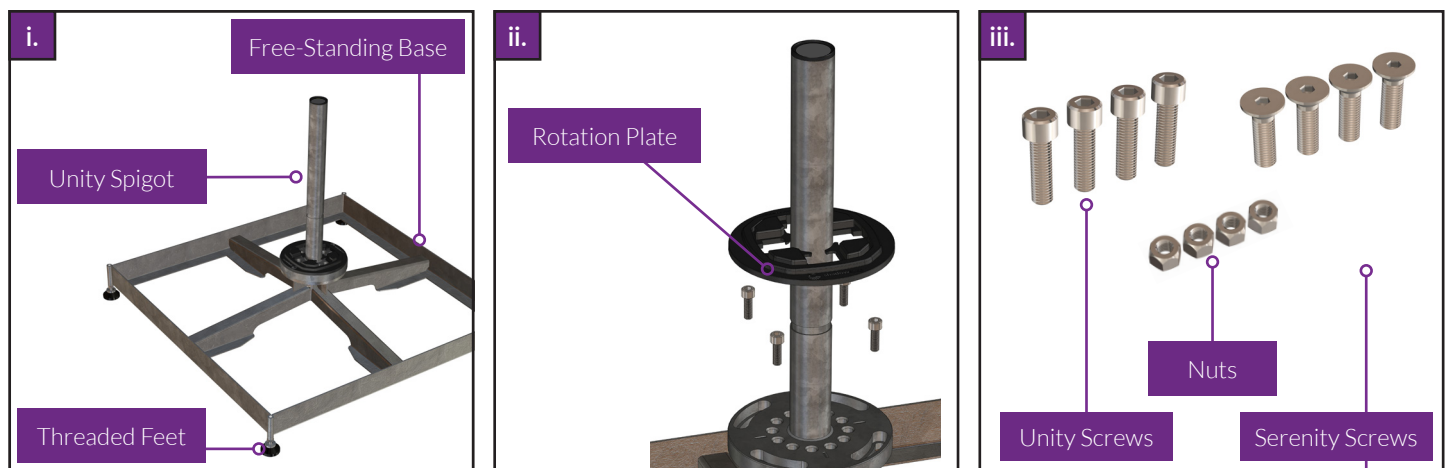
Option 1 - Free-Standing Base

For installation you will require:

- An adjustable spanner (there is a No. 17 Ring Spanner included with umbrella box)
- Hex Key Set - Included in your umbrella box
- The complete Free-standing Base kit. See **Figure E** of included components

- Step 1** Turn the Free-standing Base upside down.
a. Screw the supplied Threaded Feet into each corner of the underside of the Base.
b. If you've purchased the Optional Wheels / Castors, screw them into the corners instead. See **Figure F**.
- Step 2** Return the Free-standing Base to its correct orientation, supported on its Threaded Feet / Optional Castor.
- Step 3** Affix the Spigot to the Free-standing Base using the provided Unity Screws and Nuts. It's important to use the holes between the pavers to ensure there's enough clearance when you insert the pavers in Step 6.
- Step 4** Adjust the feet or wheels to ensure the base is level.
- Step 5** Place the Free-standing Base in the desired location.
- Step 6** Insert the 12 pavers for ballast then slide the base cover over top.
- Step 7** Slide your Rotation Plate over the Spigot and move on to **The Installation Stage (Page 24)**

Figure E - Free-Standing Base Parts



*Both Serenity and Unity Screws are included in box. Only use the set required for your Serenity and the Unity Screws will be surplus.

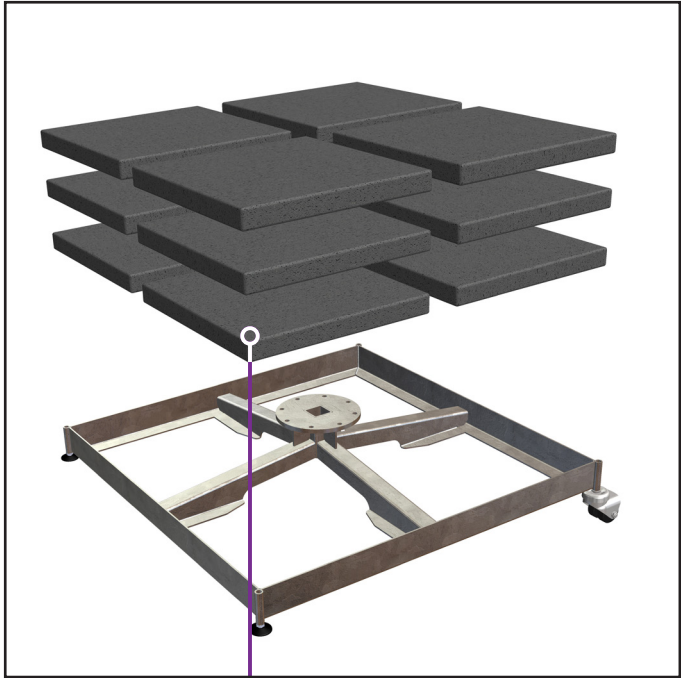
You must use 12 concrete pavers to provide ballast for your umbrella.

This will provide the weight required for normal operation. Not having 12 pavers in your Free-Standing base will void your warranty.

Note:
The Pavers are not included or supplied by Shadowspec.

Size required:
Metric: 400mm x 400mm x 40mm
Imperial: 1'3" x 1'3" x 1.5"

These can be purchased from your closest building supply, DIY or Hardware Store store.



Pavers

Note: 12 Pavers stacked in 3 layers.



Optional Castor Wheels can be affixed in place of the supplied Threaded Feet. Contact us to purchase Optional Castor Wheels.

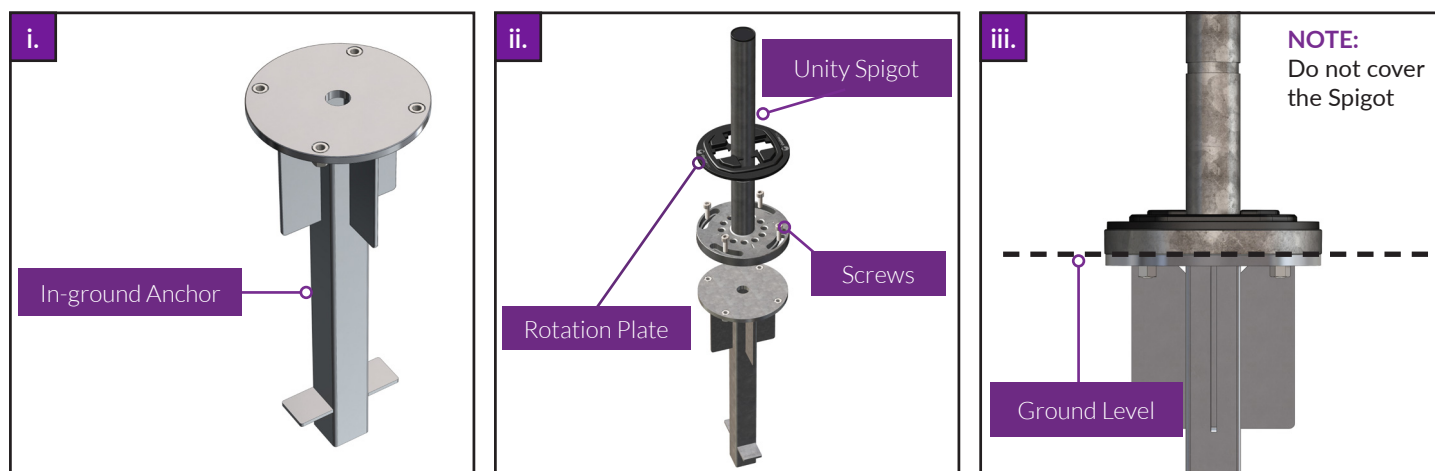
Option 2 - In-Ground Anchor

For installation you will require:

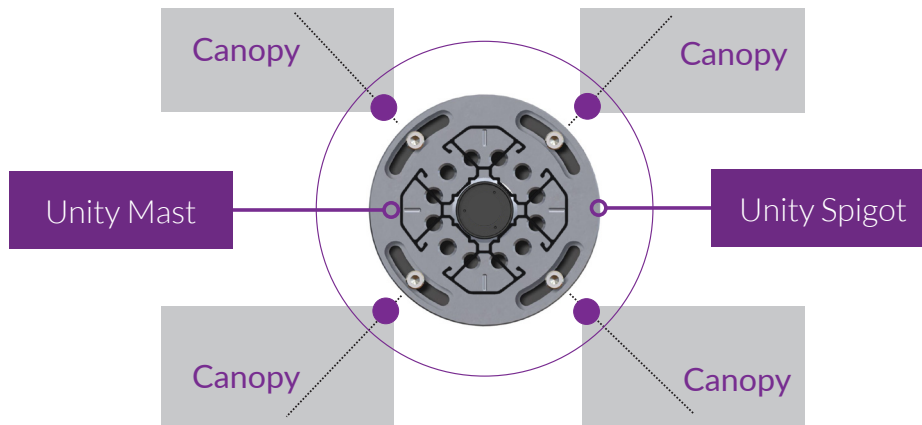
- Wheelbarrow and Spade.
- Concrete Mix - not included. Can be purchased from your closest building supply, DIY or hardware store.
- Spare wooden planks or other bracing materials
- Hex Key Set. This is included with the Umbrella.

- Step 1** Choose your site and ensure the ground is level. Check for buried utilities.
- Step 2** Dig your footing hole at least 500mmW x 500mmL x 600mmH / 1'7" x 1'7" x 1'11". It is recommended that you flare the footing hole slightly at the base for extra stability - See [Figure H](#).
- Step 3** Using the Screws supplied with your Umbrella, fit the spigot to the In-Ground Anchor. - See [Figure G](#).
- Step 4** Prepare the concrete mix in your wheelbarrow.
- Step 5** Position the In-Ground Anchor in the hole and ensure the anchor is level. See [Figure G.iii](#) for where the ground level should be.
Ensure orientation is correct for how you wish to position your umbrella - see [Page 10](#).
- Step 6** Pour concrete into the hole up to the bottom of the Spigot base. DO NOT cover any part of the Unity Spigot. See [Figure G](#).
- Step 7** Use bracing and support to ensure the In-Ground Anchor and Spigot stay level.
- Step 8** Allow at least 24-hours for the concrete to cure - your chosen product will have a recommended time on the packaging so double check this.
- Step 9** Slide your Rotation Plate over the Spigot and move on to **Stage 4 - Page 24**.

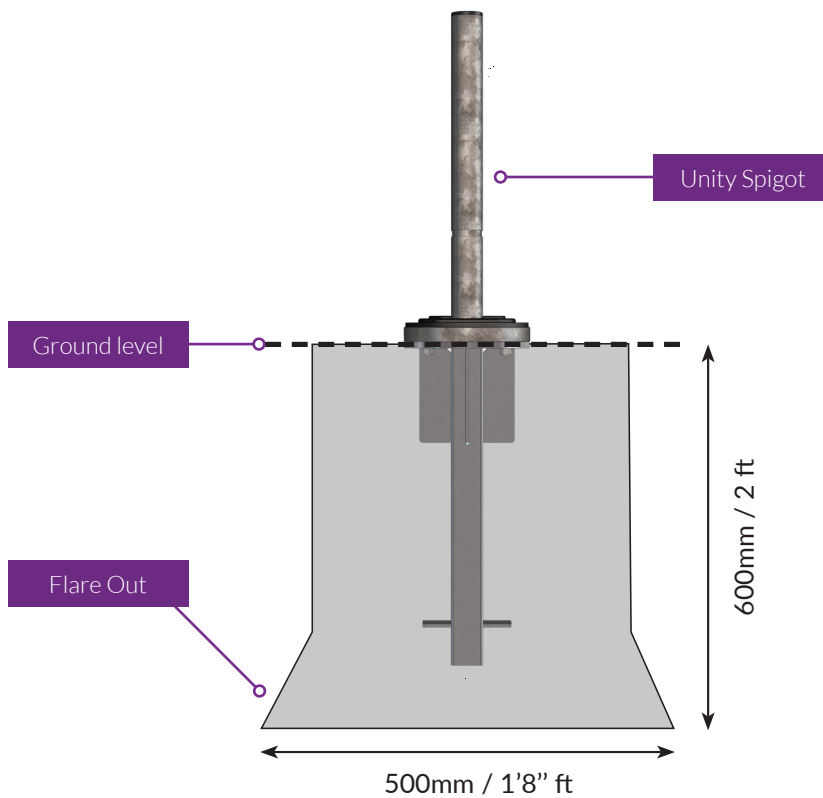
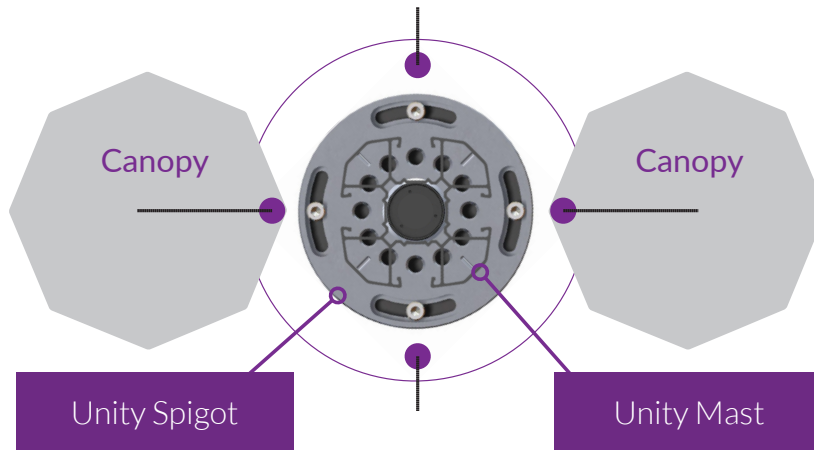
Figure G - In-Ground Anchor Parts



1. Mast Orientation for Square Canopies



2. Mast Orientation for Octagon Canopies



Option 3 - Surface Plate

For installation of the Surface Plate you will require:

Hex Key Set which is included with umbrella

- Corrosion proof washers for leveling base (316 Stainless Steel Bolts, Nuts and Washers are recommended) For installing to a **wooden deck** you will require:
- 4 x 12mm CSK Bolts and matching Nuts (not supplied - length will depend on the thickness of the deck and bracing timbers you are fixing through)

Or, for installing to a **concrete slab** you will require:

- 4 Dyna-Bolts or Concrete Screws (not supplied - recommended at least 100mm / 4" long)

- Step 1** Choose your site. It's important that the chosen site is clean, level and structurally sound. See [Page 10](#) for correct orientation for either your square or octagon canopies.
- Step 2** Place the Surface Plate in your chosen location. Install Spigot on top of Plate - Use bolts included with umbrella see [Figure I](#).
- Step 3** Check the spirit level on the top of the Spigot.
- Step 4** Slide washers under the base to level if required. Use corrosion resistant washers.
- Step 5** Mark the position of the bolt holes on the surface.
- Decking:** Ensure your bolts are running through a joist for stability. You may need to lift up some planks and install extra timber joists or bracing between existing joists - see [Page 18 & 19](#)
 - Concrete Slab:** Recommended minimum depth of 100mm / 4" (reinforced)- See [Figure J](#).
 - It's also recommended to use washers to space the plate on the decking to allow water to escape to minimise water damage to the deck.
- Step 6** Drill pilot holes on the marks and check that the pilots are in the right place by laying the Surface Plate over the top of them, and then if correct, drill the proper holes.
- Step 7** Use your bolts to secure the Surface Plate and Spigot to the chosen spot.
- Step 8** Slide your Rotation Plate over the Spigot and move on to **Stage 3 - Page 24**.



Figure I - Surface Plate

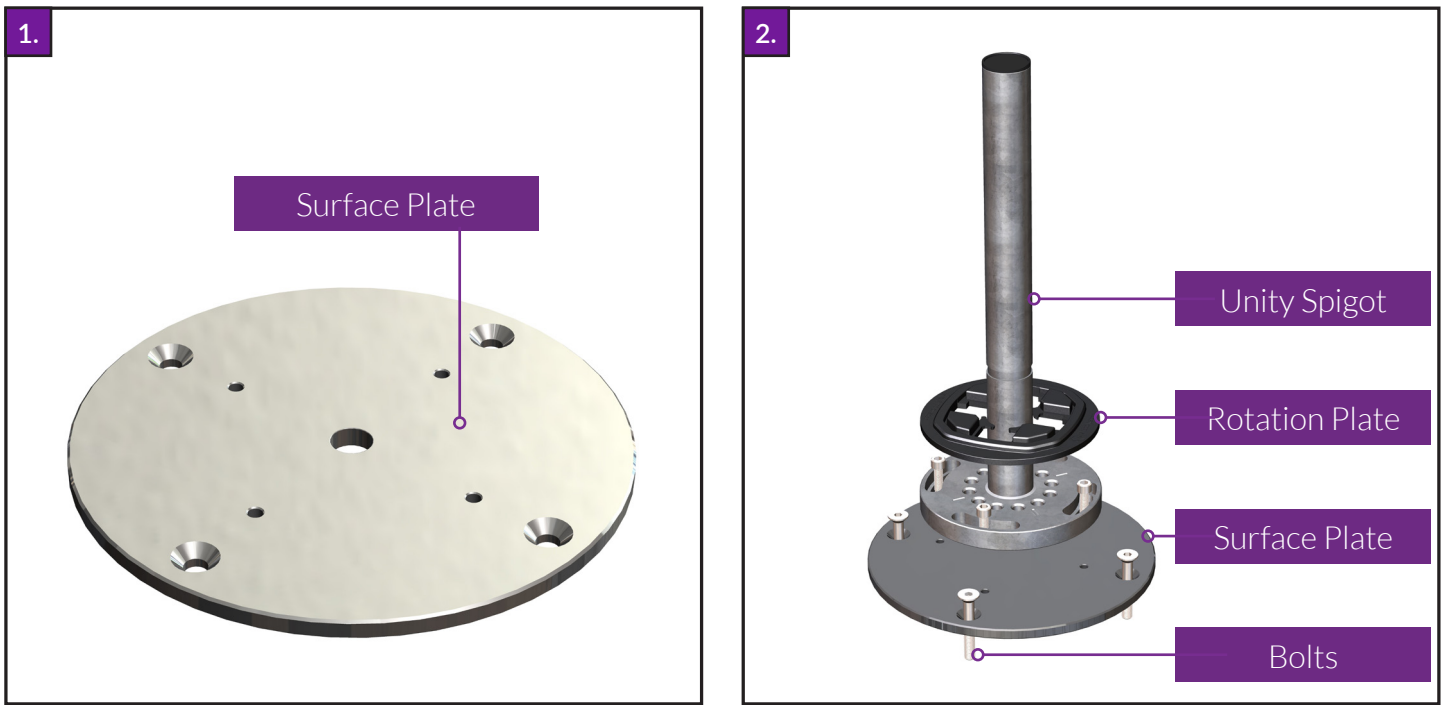
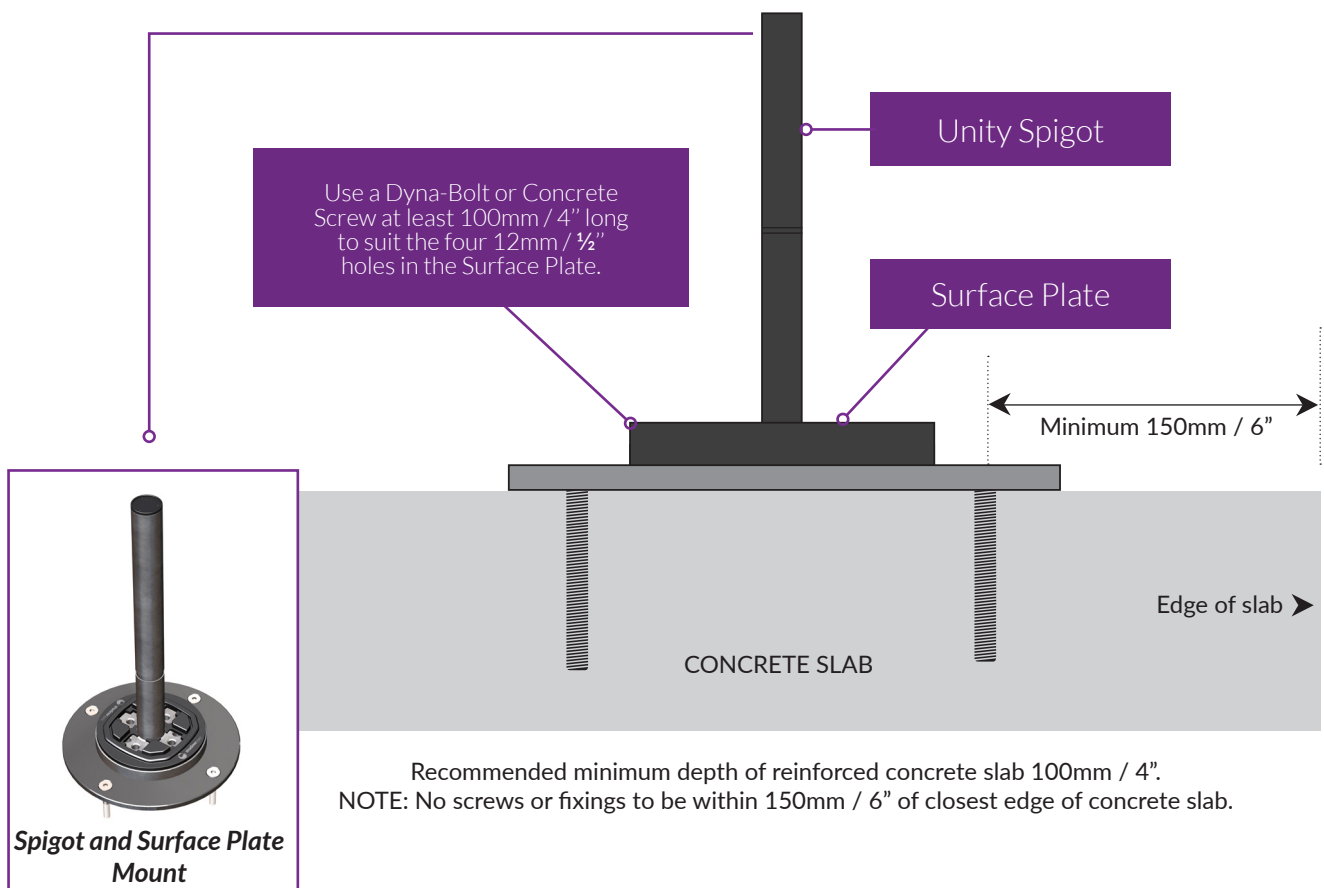


Figure J - Securing Surface Plate to Concrete Slab



Surface Plate Deck Install Guide

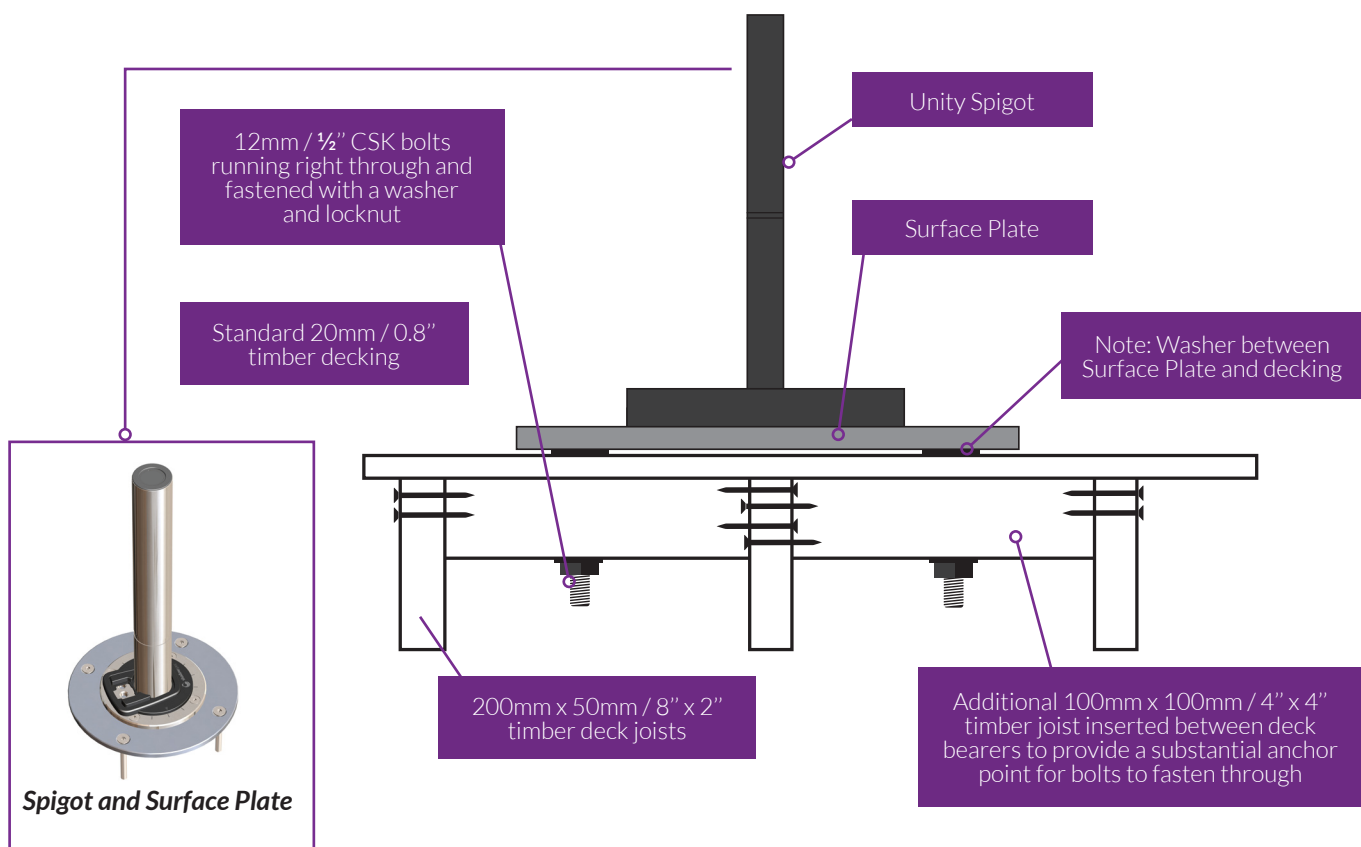
The following guide is designed for prebuilt decks. To ensure sufficient strength you should install additional nogs/joists in between the existing bearers on your deck.

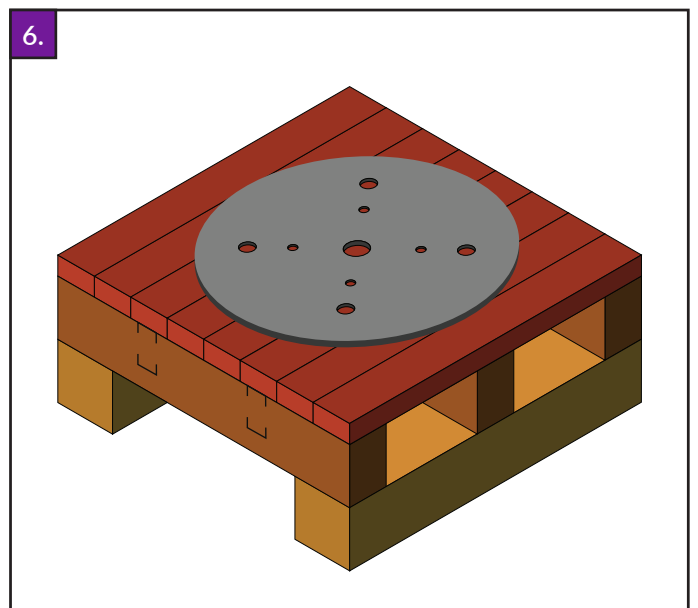
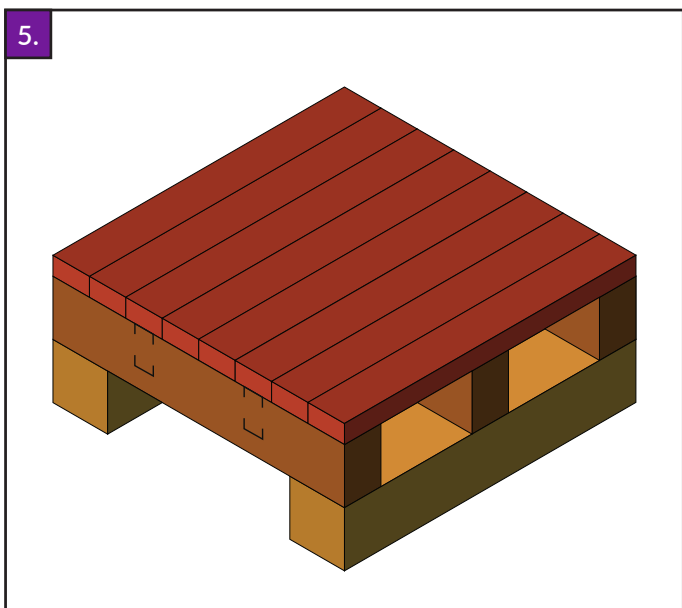
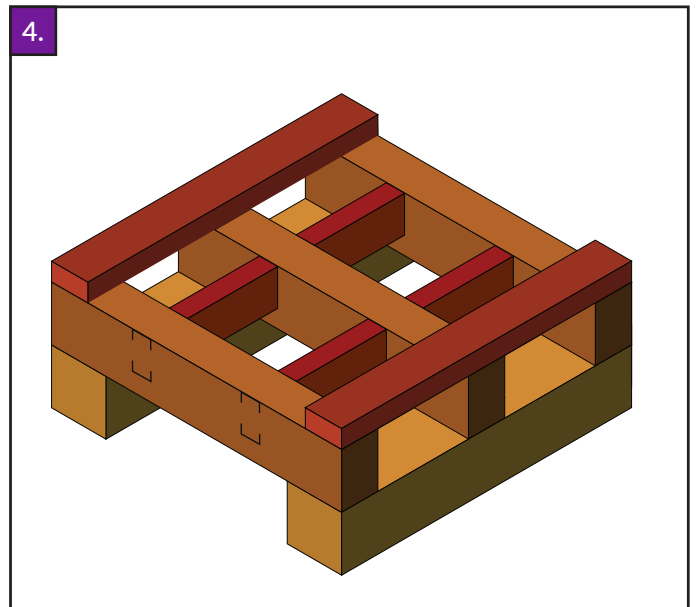
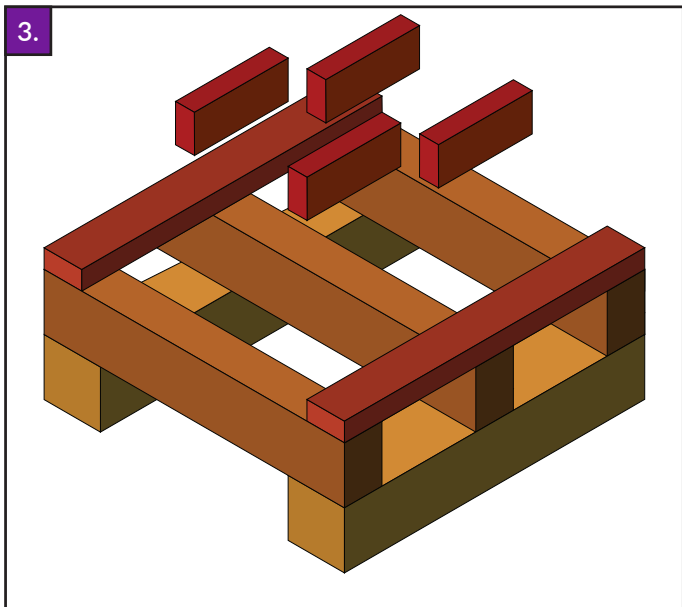
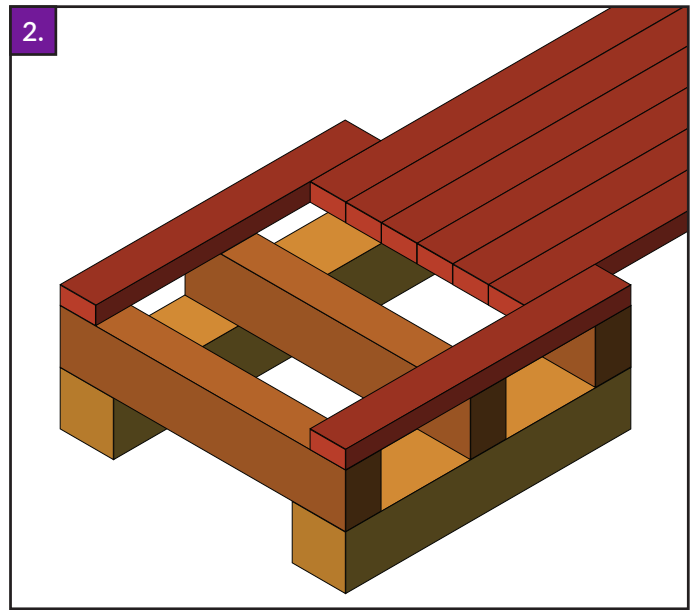
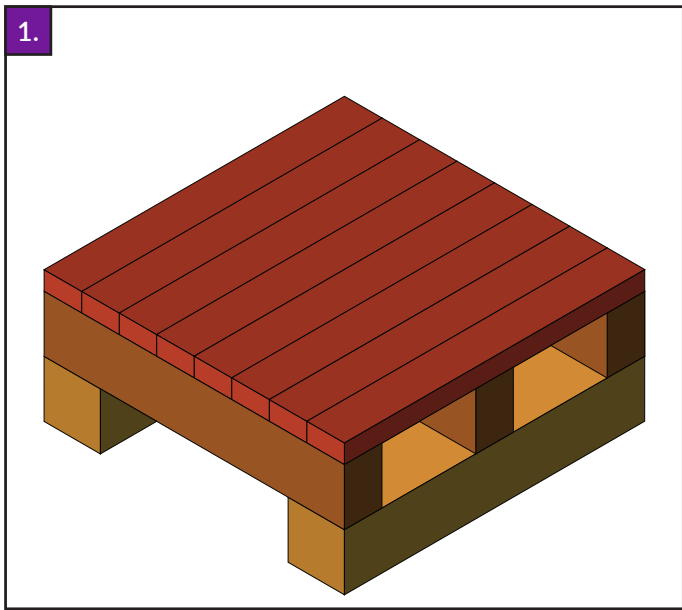
You will require the following:

- 4x 100mm x 100mm Timber Nogs/Joists
- Sufficient screws
- Electric screw driver / drill
- Replacement nails / screws
- 4 x 12mm CSK Bolts and matching Nuts (not supplied - length will depend on the thickness of the deck and bracing timbers you are fixing through)

- Step 1** Determine the installation location on your deck.
- Step 2** For access, remove enough decking to access at least 400mm | 1'4" of space for the next steps.
- Step 3** Ensure the additional timber nogs/joists are spaced with their center 270mm | 11" apart for the surface plate to be screwed into.
- Step 4** Insert 100mm x 100mm | 4" x 4" timber nogs/joists between existing bearers.
- Step 5** Replace the timber decking we recommend using screws to ease of re-access.
- Step 6** Install your surface plate as per [page 17](#) and [Figure I](#).

Figure K - Securing Surface Plate to Wooden Deck



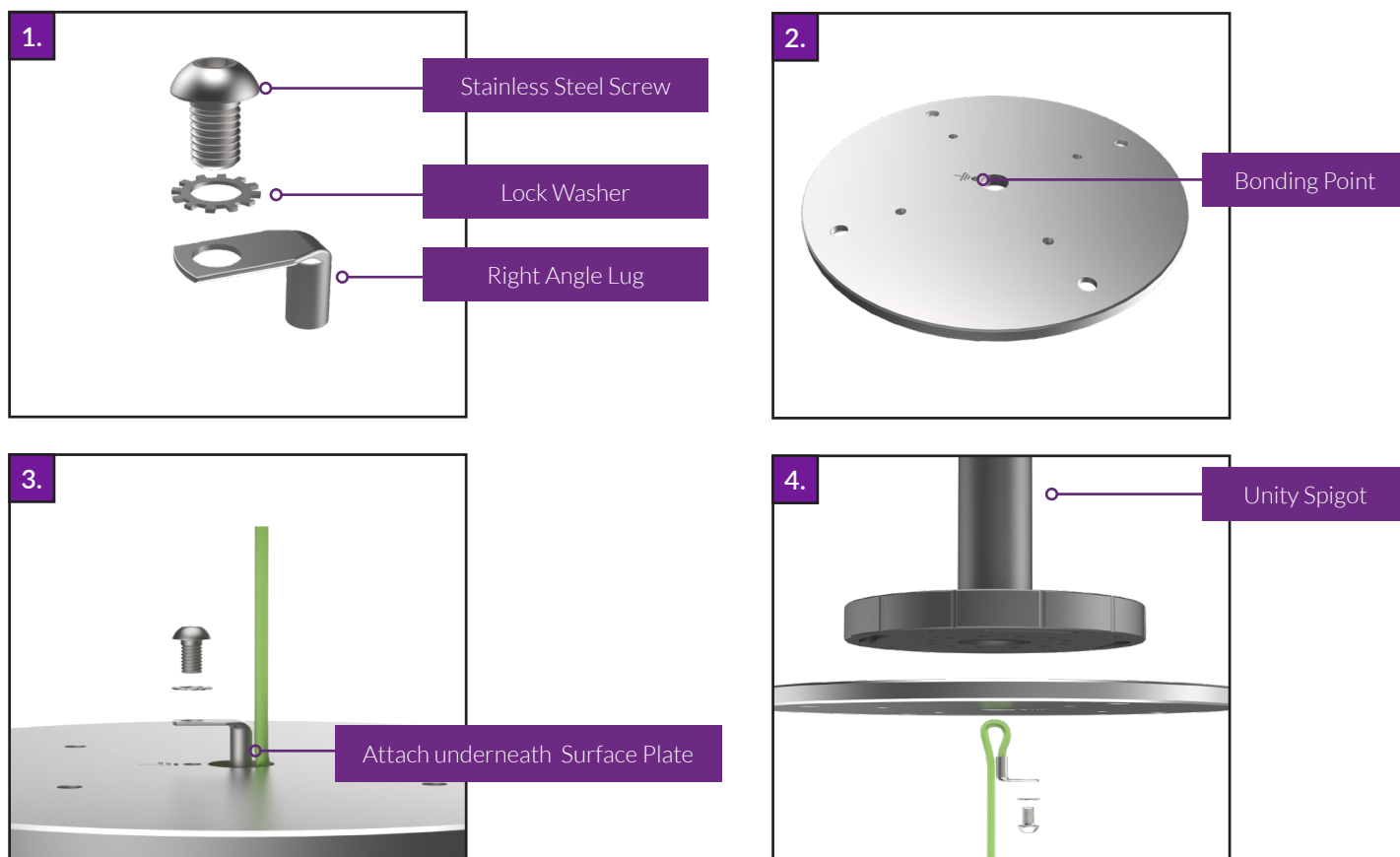


Surface Plate - Equipotential Bonding Point

For umbrellas installed within an arms reach of a body of water, then Equipotential Bonding must be performed by a licensed electrical person prior to the product being used.

Note: The following instructions assume your pool area has been installed with an earth system built in. The following work should be performed by a registered electrician.

- Step 1** Join your pre-installed earthing cable to the supplied Lug
- Step 2** Use the supplied screw to affix the Lug underneath the Surface Plate
- Note: You will need to install the Lug on top of the Surface Plate on Unity installations.
- Step 3** Drop the earth cable through the central cable hole.
- Step 4** Ensure the earth cable is attached at the other end to the pre-installed earth loop.



NOTICE

Equipotential Bonding Compliance Obligation

This product is subject to Equipotential Bonding compliance in accordance with the Australian/New Zealand Standards (AS/NZS 3000: 2018 Electrical Installations) otherwise known as the Wiring Rules and the USA code, NFPA 70, National Electrical Code (NEC) - 2020 edition - Article 680. If this product is installed within arms reach (NZ/AU*) or 5' (USA*) of a body of water including spa, swim spa or pool, then Equipotential Bonding MUST be performed by a licensed electrical person prior to the product being used. This is a mandatory requirement. As the purchaser of this product, you are responsible for ensuring compliance with this requirement at your own expense.

* Please verify the minimum distance required as stipulated by your specific regional regulations outside NZ/AU/USA



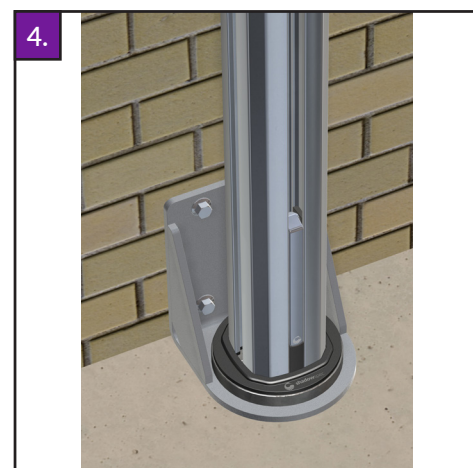
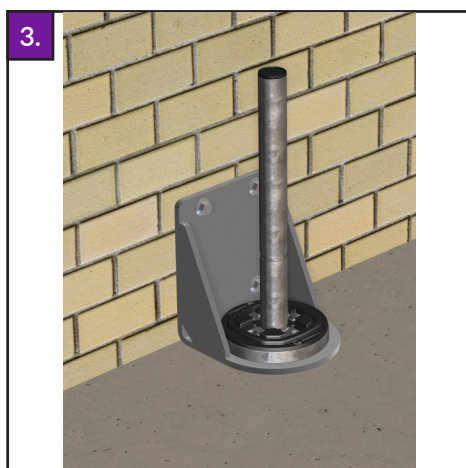
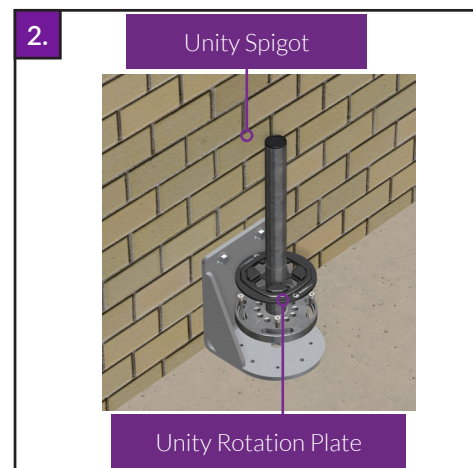
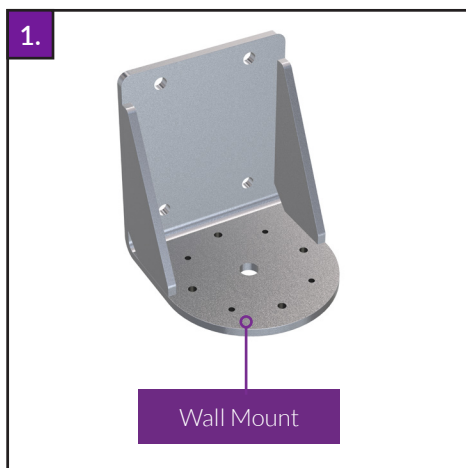
Option 4 - Wall Base Bracket

For installation you will require:

- 4 X M16 Bolts and Washers.
 - Hex Key Set - Included with umbrella.
 - Additional Spanner/Socket wrench required for M16 Bolts.
 - Wall Mount Bracket.
- (Follow the indications on *Figure L* to install the necessary parts)

- Step 1** Choose your site carefully.
- Step 2** Please ensure the wall you're mounting to is sound, strong and appropriate - seek appropriate advice if you have any reservations.
- Step 3** Affix the Spigot to the Wall Mount using the supplied bolts.
- Step 4** Position the Wall Mount against the wall but on the ground so that the weight of your umbrella is partially supported by the ground. Ensure a stable and solid support is provided by the ground - *Figure L*.
- Step 5** Mark hole locations on the wall and drill pilot holes
- Step 6** Drill holes ensuring that they are parallel to each other and secure the Wall Mount bracket to the wall.

Figure L - Wall Mount

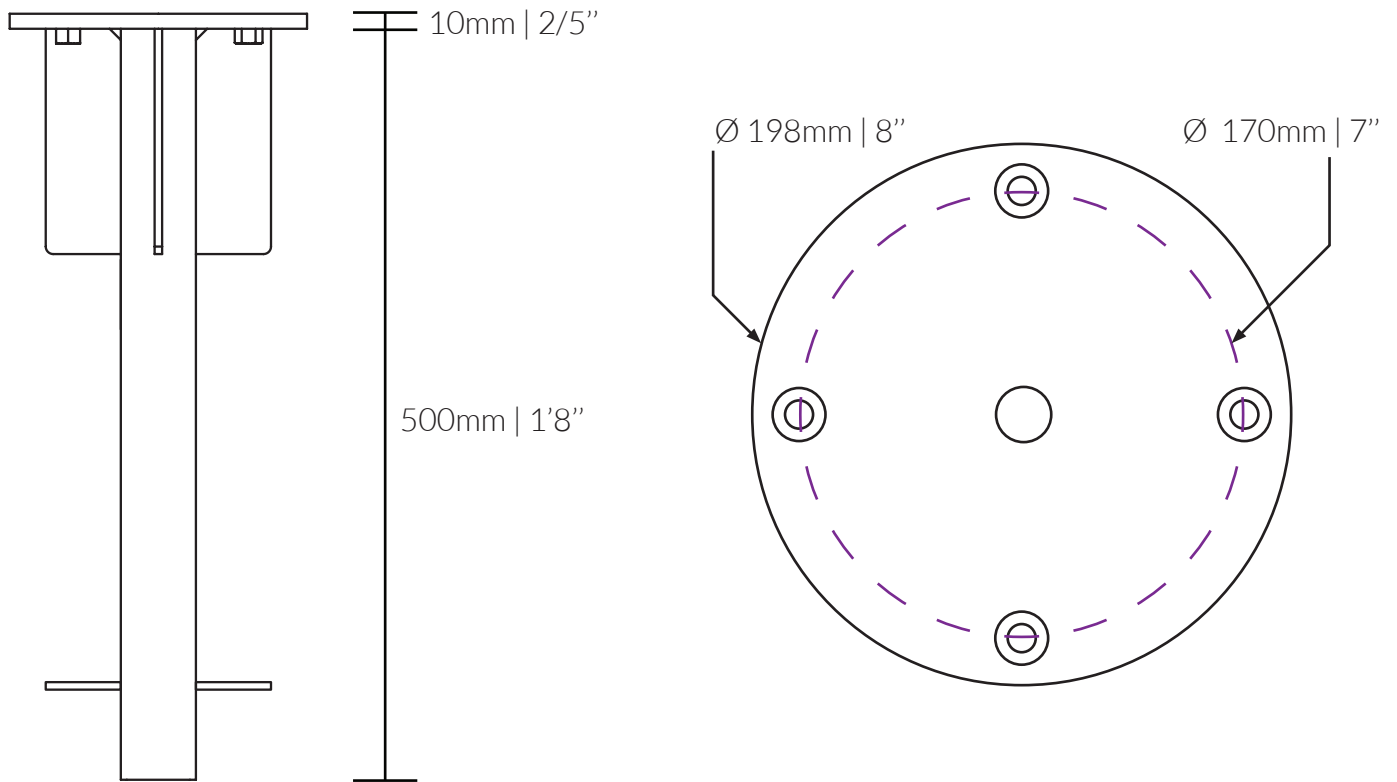


NOTE: Refer to Spigot orientation diagram - *Page 10*

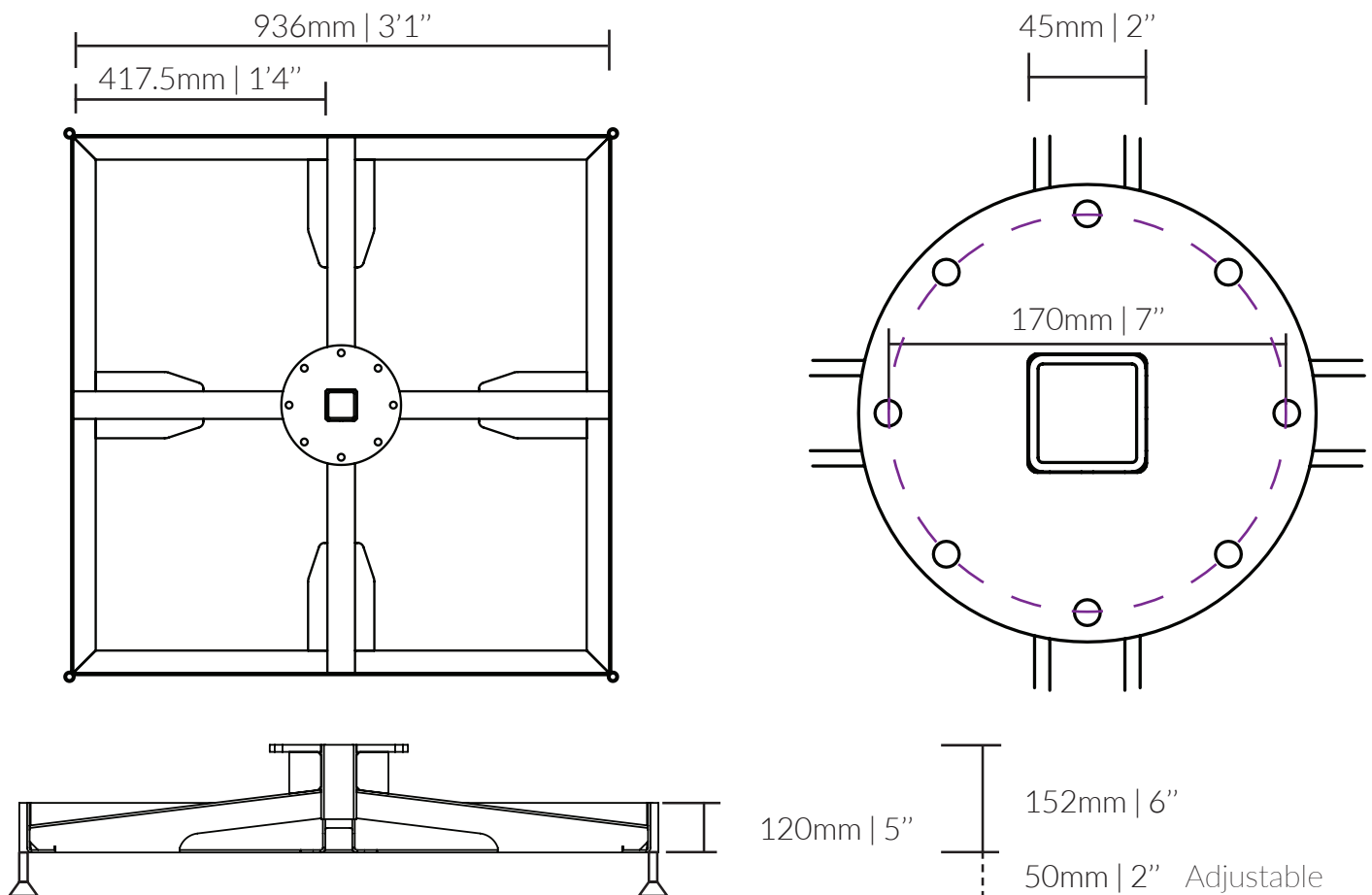


Mounting Option - Spec-Sheets & Sizes

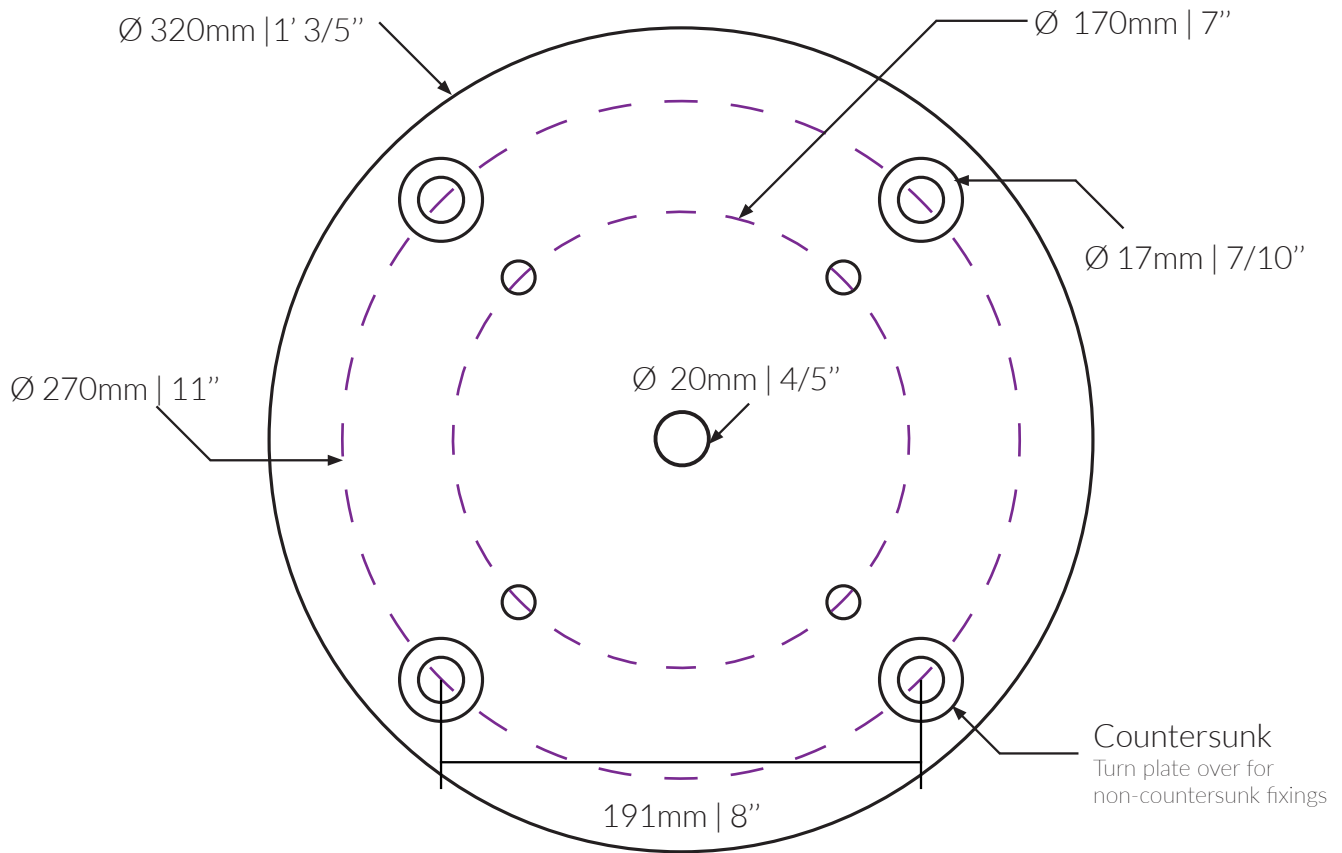
In Ground Anchor - Spec Sizing



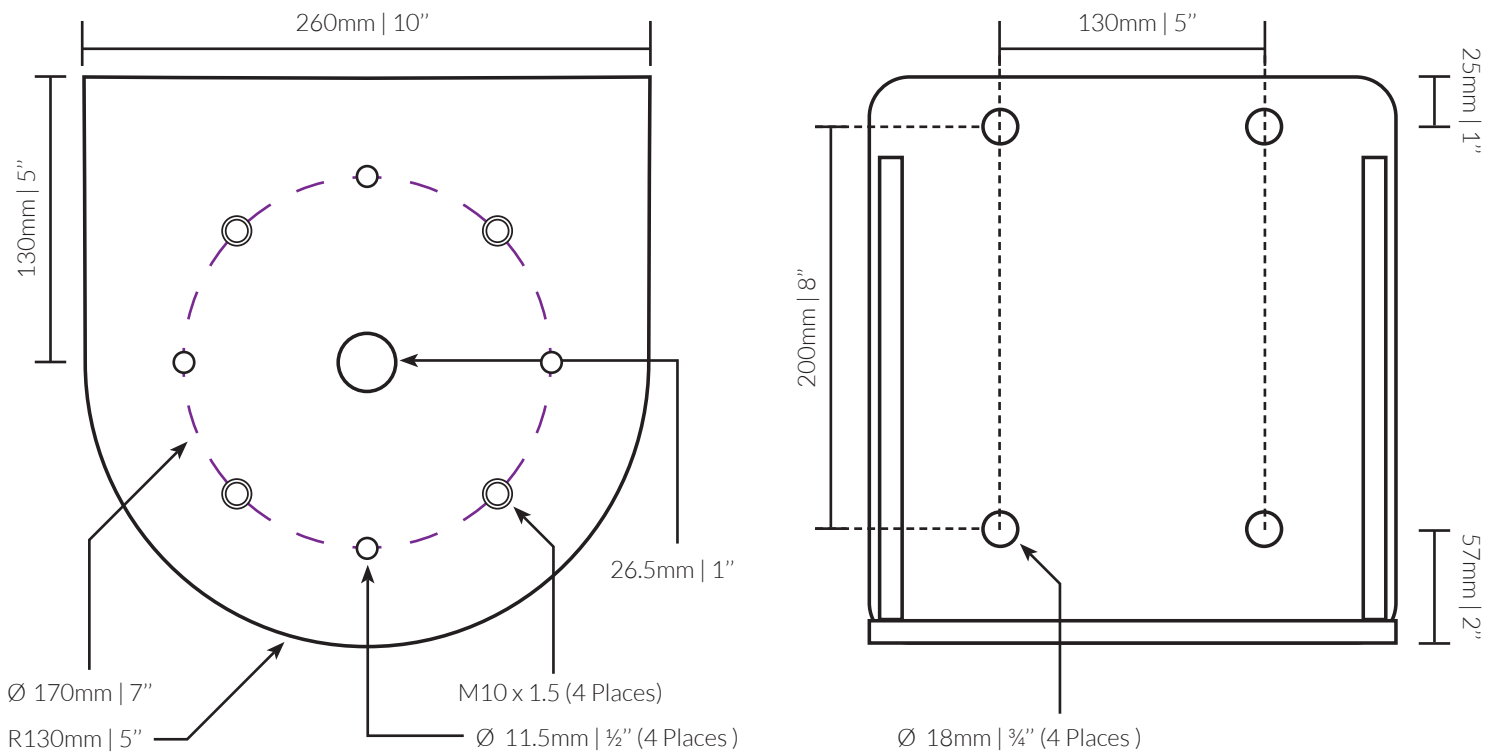
Free-standing Base - Spec Sizes



Surface Plate - Spec Sizes



Wall Base Bracket - Spec Sizes



UMBRELLA MAST AND FRAME INSTALLATION

Shadowspec Unity comes partially assembled which is great! If you have a Duo, Trio or Quattro you'll need to attach a few things to the Mast to add your additional Frames. Remove the pre-assembled Unity umbrella from your box packaging and make sure you place it somewhere where the surface of your umbrella parts won't get scuffed or scratched. The other smaller box will contain the extra parts you need for the additional Canopy Frames. Remove the parts and lay them out.

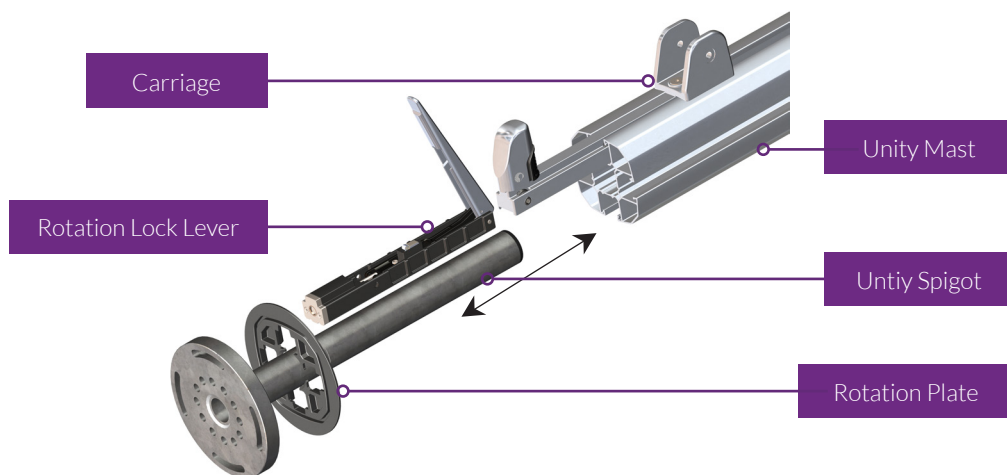
You will require:

- A two person team
- Step Ladder
- Hex Key Set - Included in your umbrella box
- Your umbrella (large box)
- The additional umbrella Frame(s) - smaller box(s)
- The assembly parts kit (supplied with each additional umbrella Frame)
- Your umbrella Fabric Canopies

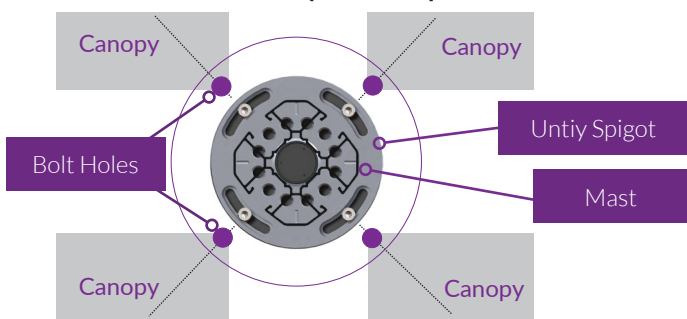
NOTE: Remember to install the Spigot on your chosen mounting option before proceeding.

- Step 1** Turn the Mast so the Mast Channel you wish to install the additional Frame on is facing skyward. *Figure M.*
- Note:** For correct Frame orientation please refer to *Figure M - i & ii* on page 25.
- Step 2** Using your Hex Key, unscrew the Security Lock Screw from your Rotation Lock Lever and remove it from the Mast Channel.
- Step 3** Insert the Carriage into the Mast from the bottom with the correct side facing upwards, sliding it up the Mast until it locks into the Top Catch bracket.
- Step 4** Insert the Rotation Lock Lever into the same Mast Channel and finger tighten the screw until it just catches.
- Note:** Don't over-tighten this screw or you won't get the Mast on the Spigot.
- Step 5** Remove the Top Cap from the top of the Mast. *Figure O* on page 27.
- Step 6** Remove Gas Spring from the Top Pivot Block - keep it safe, you'll need it again soon.
- Step 7** Slide the Top Pivot Block into the top of the Mast.
- Step 8** Tighten the Top Pivot Block in position using your Hex Key
- Step 9** Remove Axle Pin from the Top Pivot Block - keep it safe, you'll need it again soon.
- Step 10** Recheck to ensure the Top Pivot Block is as tight as possible
- Step 11** Return the Top Cap to the top of the Mast
- Step 12** Remove the Axle Pin from the Shadowglide Carriage - keep it safe, you'll need it again soon.

Figure M - Carriage and Rotation Lock Lever Assembly



i. Mast Orientation for Square Canopies



ii. Mast Orientation for Octagon Canopies

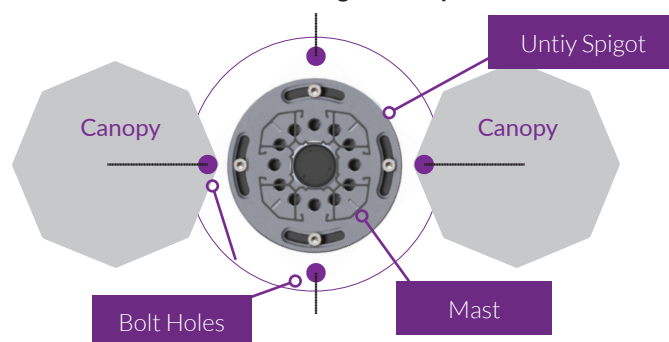
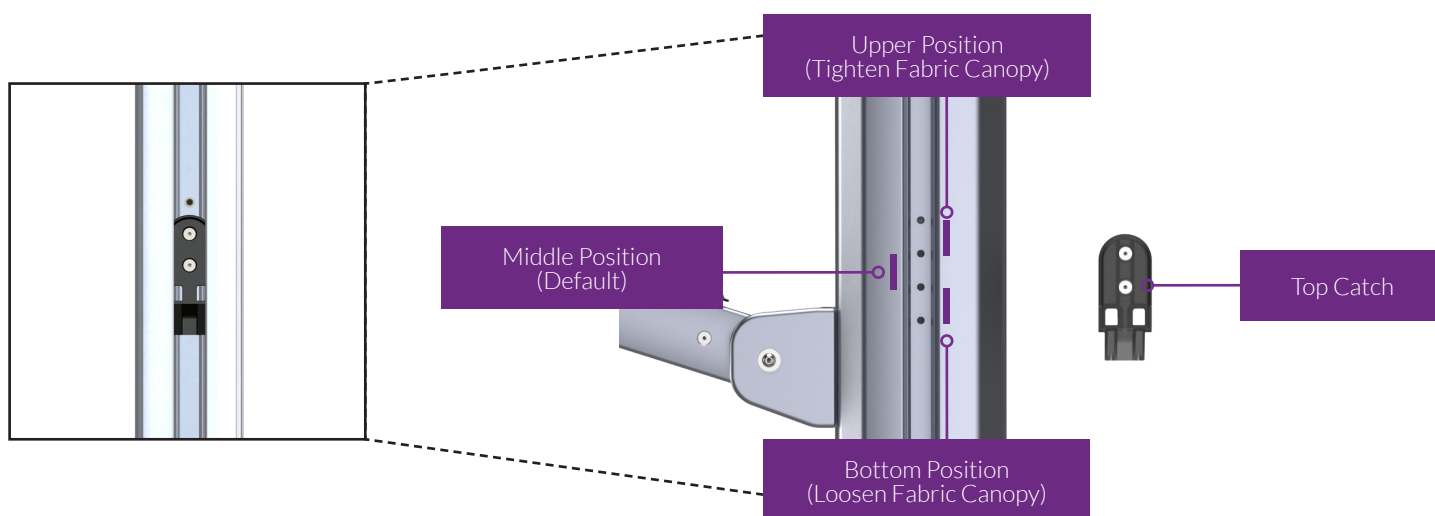


Figure N - Top Catch Permanent Operational Position



Note: The Top Catch can be moved to adjust the tightness of your canopy. The Middle position is the factory default position, the Upper Position will tighten the canopy and the Bottom position will loosen the Fabric Canopy.

Tip: Fabrics are malleable and stretch over their life time, you may find that down the line, you may need to adjust your top catch to maintain taughtness

Stage 4 - Mounting your Shadowspec Unity™

- Step 1** With the help of an assistant, stand your Unity Umbrella. - **Do Not Lift with the Lever**
- Step 2** Together now, lift the Unity Umbrella up and manoeuvre it over the Spigot so the base of the Mast is positioned over the top of the Spigot.
- Note:** Remember to grease the spigot with the supplied grease.
- Step 3** With care, lower the Mast down onto the Spigot and push it into the correct grooves of the Rotation Plate.
- Step 4** Lift the Rotation Lock Lever and tighten the security screw all the way. You now should not be able to lift the Umbrella off the Spigot.
- Note:** You'll need to do this on both Rotation Lock Levers on the umbrella.
- Tip:** Ensure the Mast can still rotate once the screw is tight - **Figure M** - If not, loosen the screw slightly. Rotate the Mast until the index pin locates into the desired position hole. The lever will fall down into place - **DO NOT force the lever down.**
- Step 5** With the Mast now in the upright position, with the help of an assistant and a ladder, lift the Additional Frame to line up with the Top Pivot Block on the mast.- **Figure P.**
- Step 6** Insert the Axle Pin that you kept safe at **Step 9** and tighten it from both sides.
- Step 7** With the additional frame now hanging secure from the Top Pivot Block, secure the other end of the Additional Frame to the Shadowglide Carriage. Ensure both Axle Pins are tightened.
- Tip:** We recommend using a thread locking compound to ensure the screws do not loosen over time.
- Step 8** Unscrew the Top Catch and secure it in the upper-most position as illustrated in **Figure N**. This is a temporary position to allow the installation of the Gas Spring (note only one screw will be used). Please remember to move this back to the operational position as illustrated in **Figure N** after the completion of installation.
- Step 9** Lift and slide the carriage up until it clicks into the fully open position. Please take care to ensure the ribs clear all objects and persons. This action will require a bit of effort as the Gas Spring is not installed yet.
- Tip:** The Top Catch must be in the Temporary Installation position - **Figure N**.
- Step 10** Unscrew and remove the Gas Spring bolt from the Main-Spar and reinsert it through the Top Eyelet of the Gas Spring. - **Figure Q.**
- Note:** Ensure the Gas Spring is the right way round, the larger body should be at the top and the thin shaft at the bottom. - **Figure Q.**
- Step 11** Reposition the Top Catch into the permanent operational position. - **Figure N.**
- Note:** here are three adjustable positions. We recommend starting with the middle position.
- Step 12** Open and close the Frame a few times to ensure smooth operation.
- Step 13** Repeat for Frames 3 and 4 for a Trio and Quattro Umbrella.

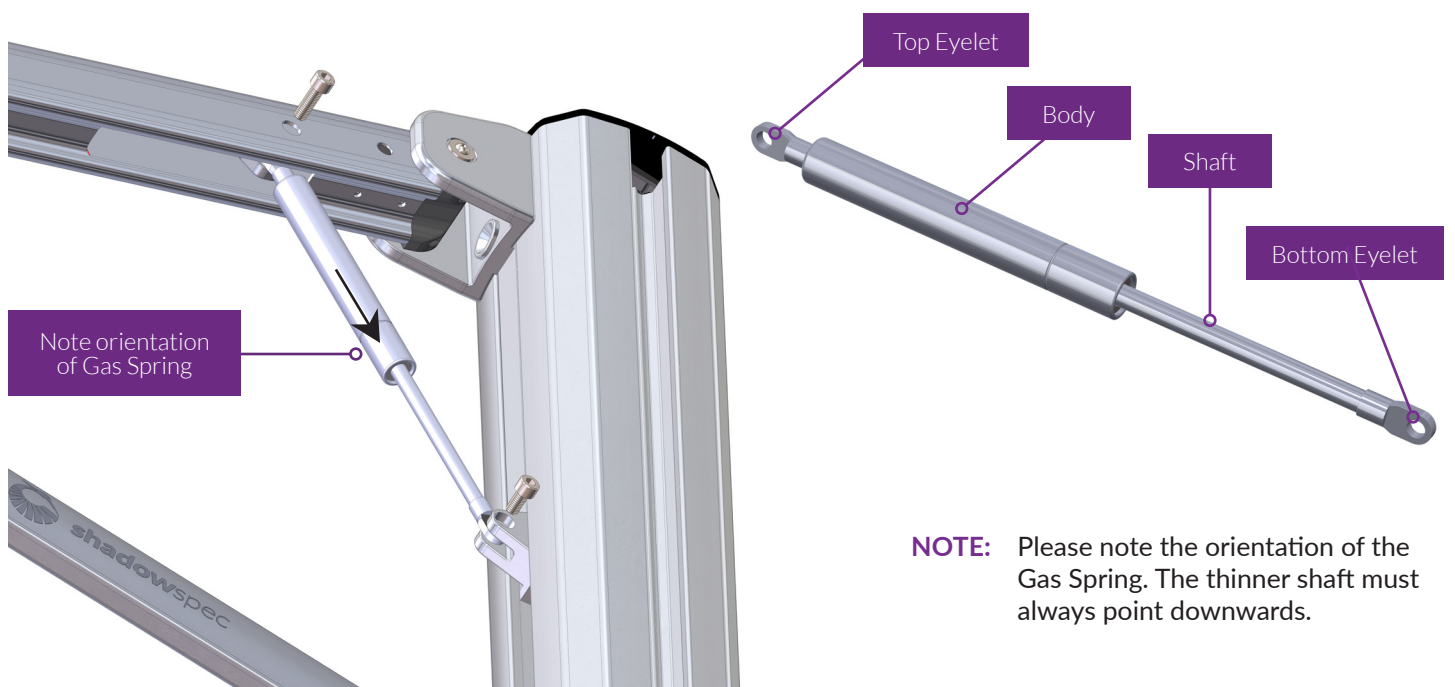
Figure O - Top Pivot Block



Figure P - Mounting Additional Frames(s)



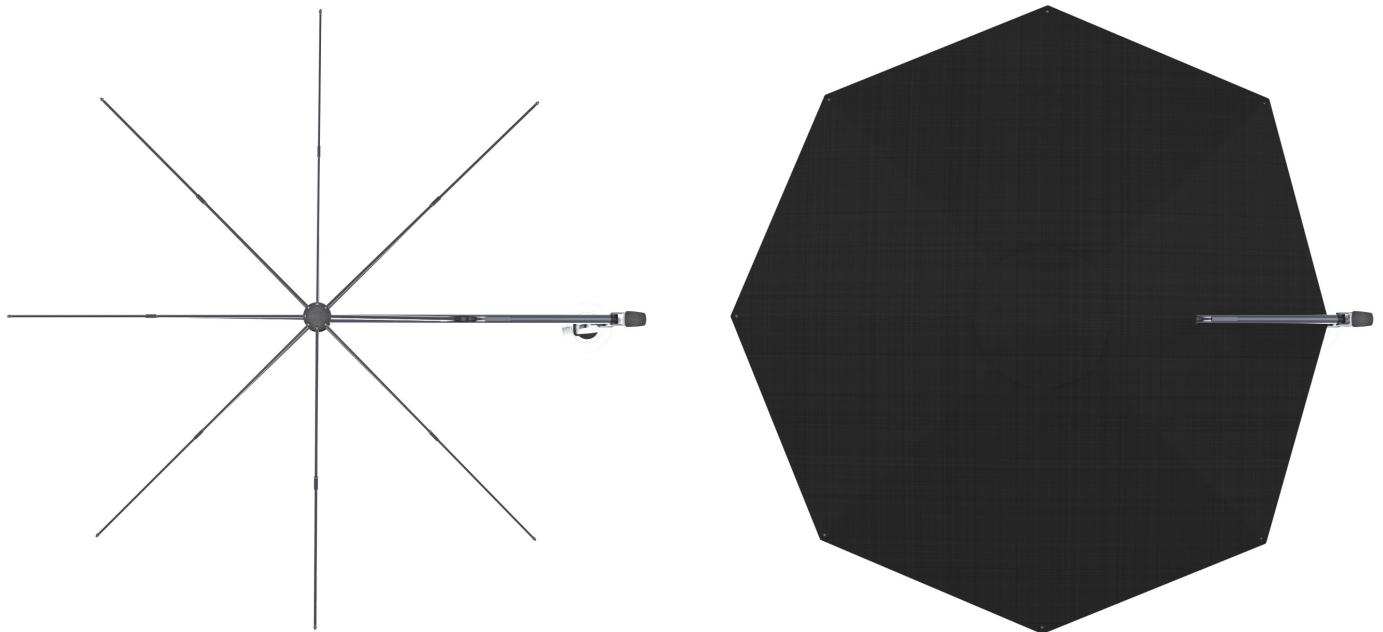
Figure Q - Shadowlift - Gas Spring Installation



NOTE: Please note the orientation of the Gas Spring. The thinner shaft must always point downwards.

Stage 5 - Fabric Canopy Installation

- Step 1** Click the Shadowglide Button to release the Frame and lower it to the middle of the Mast to make it easier to attach the Fabric Canopy.
- Step 2** Using a step ladder, (carefully) place the Fabric Canopy onto the Frame.
- Step 3** Align the eyelets on the Fabric Canopy with it's correct Rib Tip and using your Hex Key, fix the Fabric Canopy in place.
- Note:** Ensure they're tight to prevent them coming loose over time.
- Step 4** Align the split in the canopy with the Through-Spar and apply the Fabric Canopy velcro to the Through-Spar, securing the canopy.
- Step 5** Align the final Fabric Canopy eyelets at the base of the Through-Spar and secure the final screw to the Securing Point using your Hex Key as per **Step 3**.
- Step 6** Lift the Shadowglide Carriage to the top, slowly, to test the tension of the Fabric Canopy. See **Figure N** for tension adjustability options for the Fabric Canopy.
- Step 7** Repeat for each Additional Frame (2-4).
- Tip:** Reposition the bottom velcro strip if needed so it is perfectly symmetrical onto the Through-Spar.



Stage 6 - Operating your Shadowspec Unity™

Your Shadowspec Unity is engineered to be easy to use. Squeeze the Shadowglide Button to release the Carriage from its closed position and push it up the Mast until it locks in place.

Step 1 To open your umbrella, push down onto the Shadowglide Button located in the Shadowglide Handle and assist the opening by pushing the Carriage with the palm of your hand upwards until it locks into place. *Figure R.*

Tip: Please ensure that the immediate area is free from traffic before opening or closing the Canopy.

Step 2 To close your umbrella, squeeze the Shadowglide button to release the Carriage. Allow your umbrella to collapse by supporting the handle in the palm of your hand. Use your free arm to gather the Frame and push it towards the Mast until the Carriage locks into the closed position.

Step 3 Once fully closed it is important that you wrap the provided Canopy Strap around the Mast and Canopy to keep it secure when not in use.

Tip: Use an optional Protection Cover to prolong and safeguard your investment against the elements when your umbrella is not in use.
Contact us if you would like to purchase a Protection Cover.

Figure R - Operating Your Umbrella



Accessories - LED Lights

LED LIGHTS

All Shadowspec Unity Umbrellas are supplied with an LED Light built into the into the lower hub of each Frame

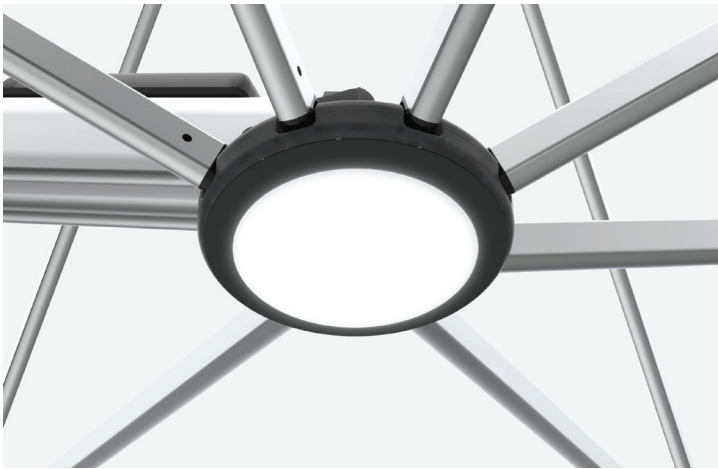
You've got two options to power your LED light. The LED Light can be powered by the optional Shadowspec Smart Battery.

This battery makes for easy installation, without the need for electrical wiring to be installed in your umbrella. The Smart Controller allows the user to control the LED Light via Android or iOS using the Shadowspec App.

The Hard-Wire kit enables a permanent hard wired DC feed for your LED Light. This installation will require the assistance of a qualified electrician.

Contact our Shade team to order your LED Power Solution - we will help you decide which is best for you.

Figure T - LED Light Specifications



*Input voltage: 9V
Power consumption: 900mW
2.1mm DC Connector (Tip + / Ring -)
Colour: Cold White - 6500K*

Smart Controller



For Smart Battery LED Light installation visit:
www.shadowspec.com/smart-battery

Hard-Wire Kit

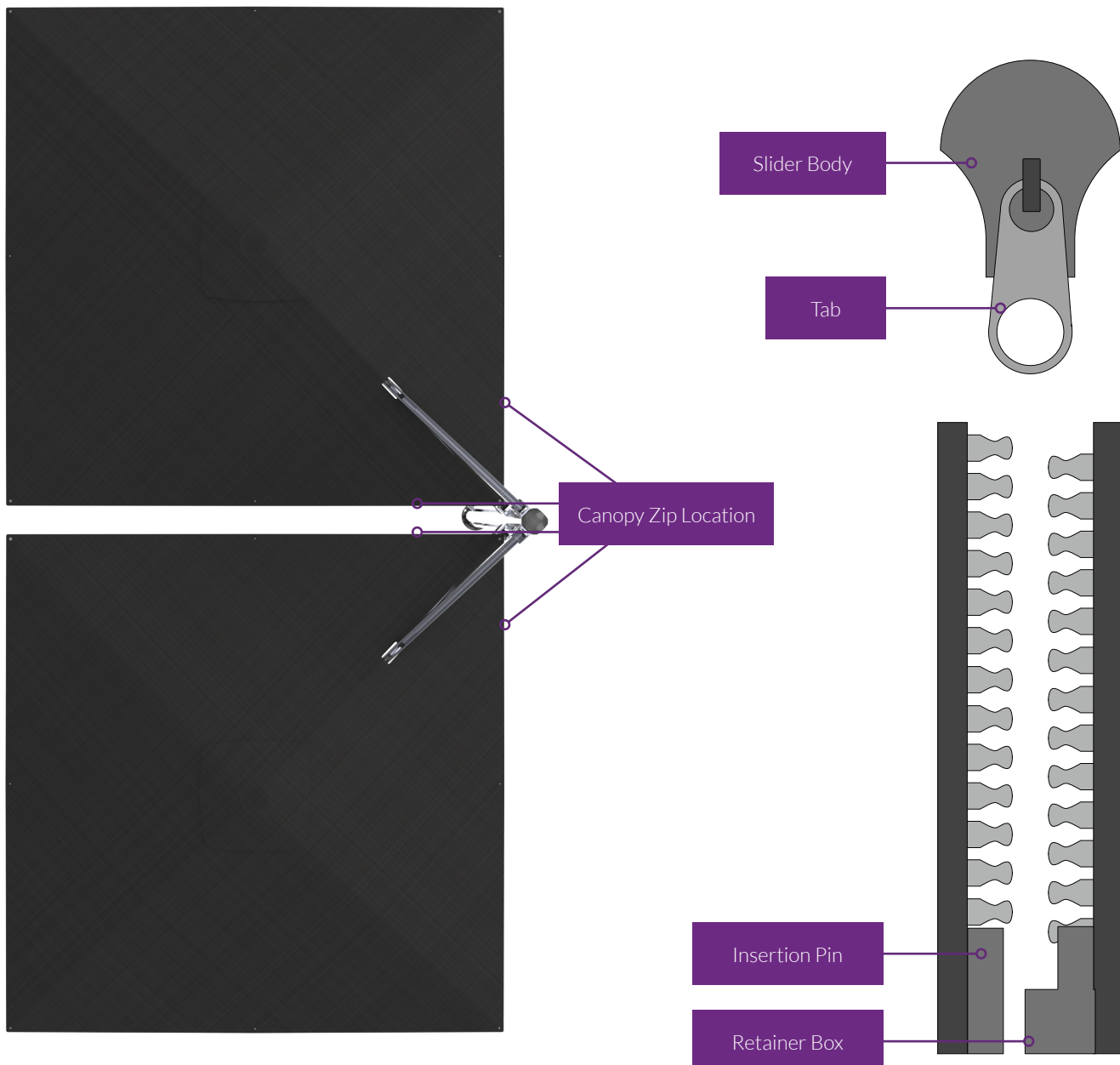


For Hardwire LED Light installation visit:
www.shadowspec.com/hardwire-kit

Accessories - Raingutter

Congratulations on your acquisition of a Shadowspec Unity umbrella and an accompanying rain gutter. It is important to operate your raingutter with care.

- Step 1** Deploy your Shadowspec Unity Umbrella.
- Step 2** Remove the Raingutter from the bag.
- Step 3** On the Raingutter, pull the slider body all the way to the base of the zip so it lines up with the Retainer Box.
- Step 4** Locate the insertion pin on the canopy of your Shadowspec Unity.
- Step 5** Slide the insertion pin through the Slider Body and into the Retainer Box.
- Step 6** Pull the Tab and Slider Body to the opposite side of the umbrella.
- Step 7** Repeat the above process for the other side of the raingutter.
- Step 8** Reverse the process to remove the raingutter when finished.





shadowspec

umbrellas with distinction

Contact our in-house shade and outdoor specialists
for more information and advice.

AUSTRALIA

Australian Nest

Laverton North, Victoria

1800 144 155

www.shadowspec.com.au

NEW ZEALAND

Heron Base

Whangarei, Northland

0800 144 155

www.shadowspec.co.nz

UNITED STATES

North American Nest

Houston, Texas

844 888 5577

www.shadowspec.com