

Clearance Guidelines

The following document gives indications of clearances of the Shadowhub™ and Rib Tips of the Shadowspec Serenity™ and Shadowspec Unity™ umbrellas.

This document refers to the 4.0m / 13' canopy frame which is available on the Shadowspec Serenity, Shadowspec Unity Duo, Shadowspec Unity Trio and Shadowspec Unity Quattro configurations.

Note measurements are different depending on what angle you install the umbrella at and the way you look at it - take care when measuring to note the angle of view on the right hand side of the following pages.

All dimensions are from the centre of the Spigot.

Measurements are supplied in metric for detailed accuracy.

Drawings are shown with the Surface Plate mount.

Height references are from the bottom of the Surface Plate as standard.

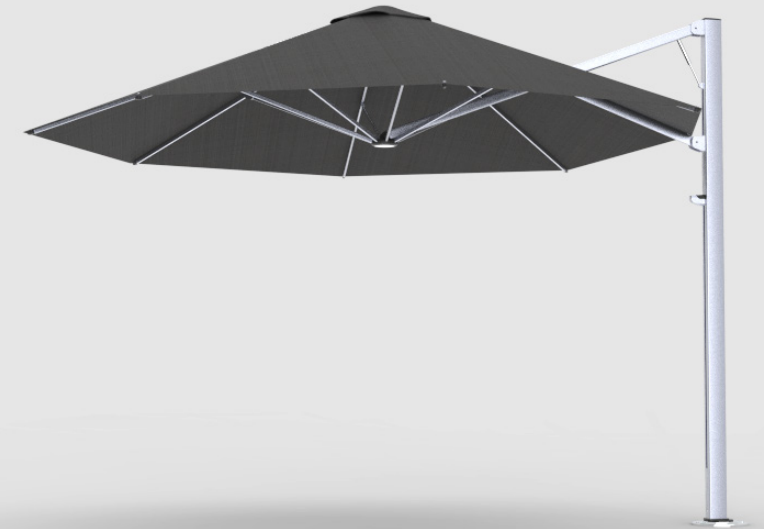
Add additional height for Free-Standing Base:

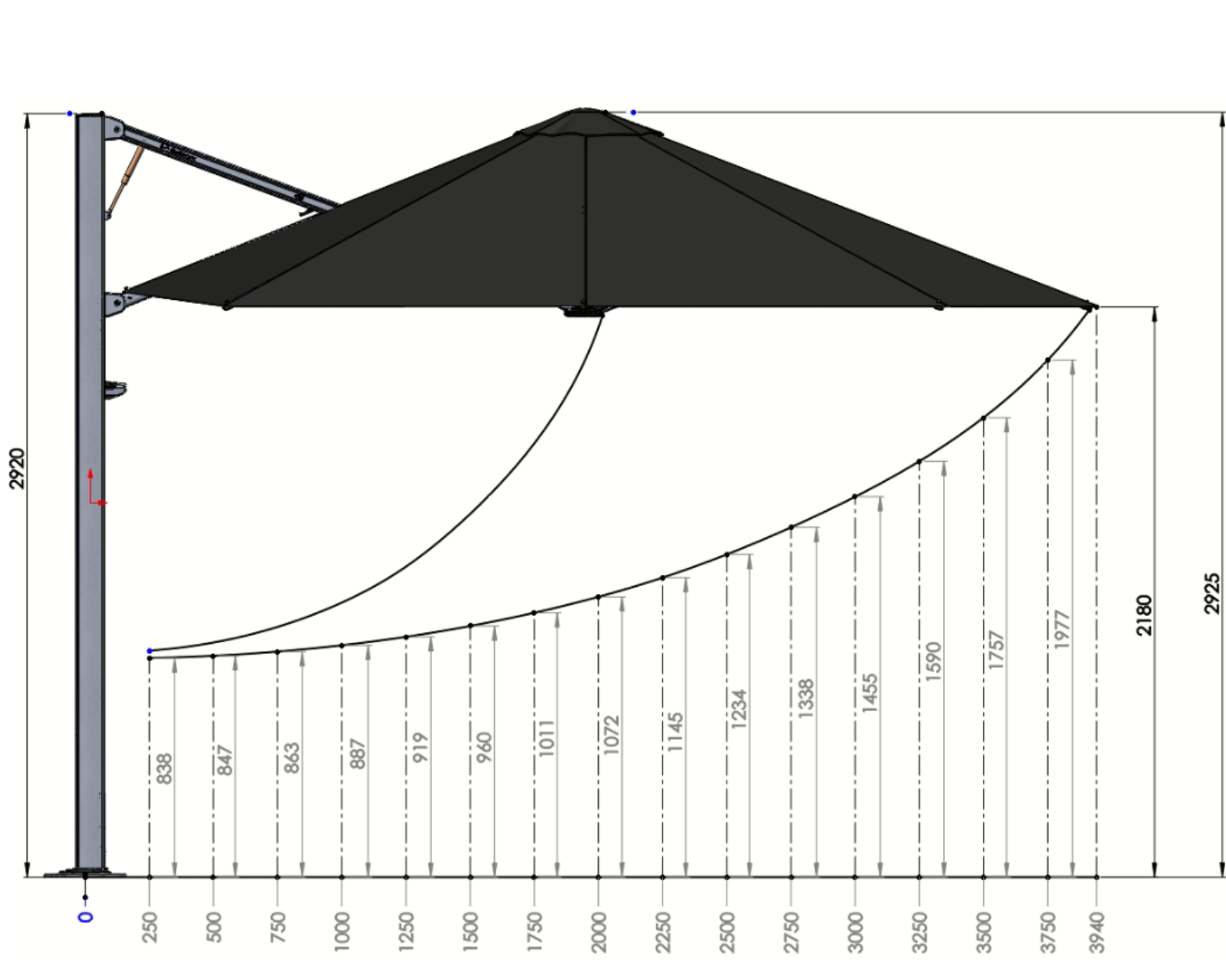
180mm for Free-Standing Base with Feet.

230mm Free-Standing Base with Wheels.

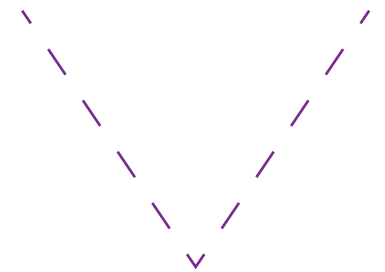
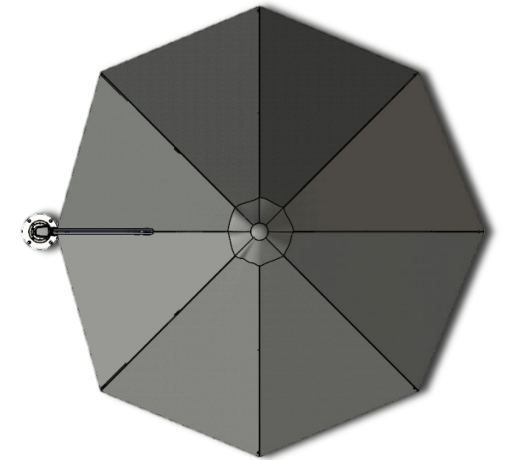
All dimensions are approximate. Please allow 50mm additional clearance when doing height calculations.

Full umbrella dimensions are available on the last page.

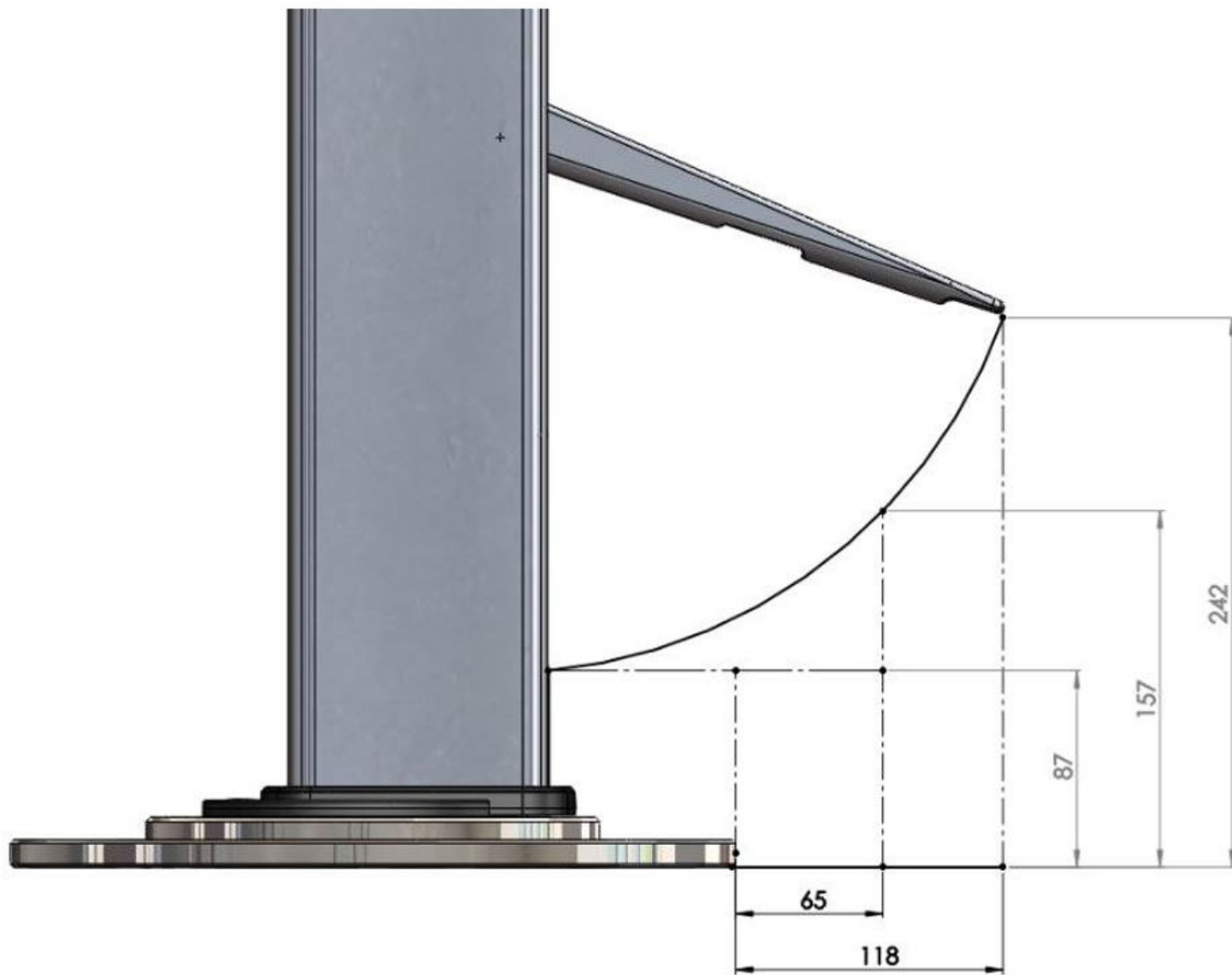




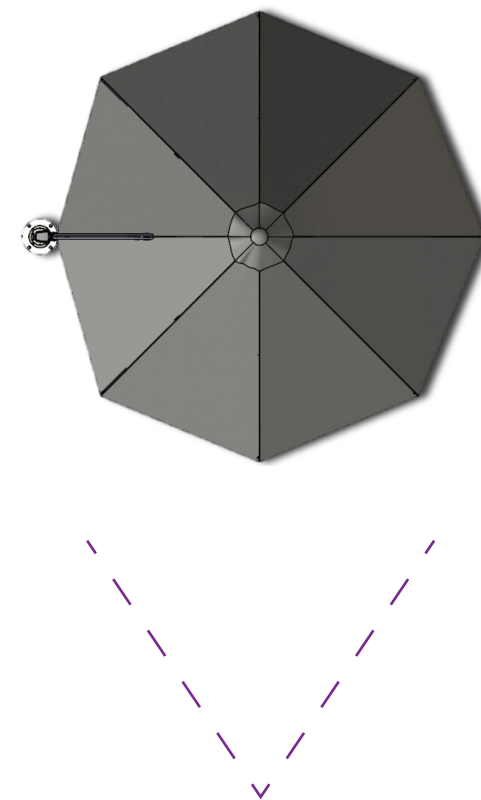
View Angle



Shadowspec Serenity & Unity
4.0m / 13' Octagon



View Angle



Shadowspec Serenity & Unity
Lock Lever Clearance

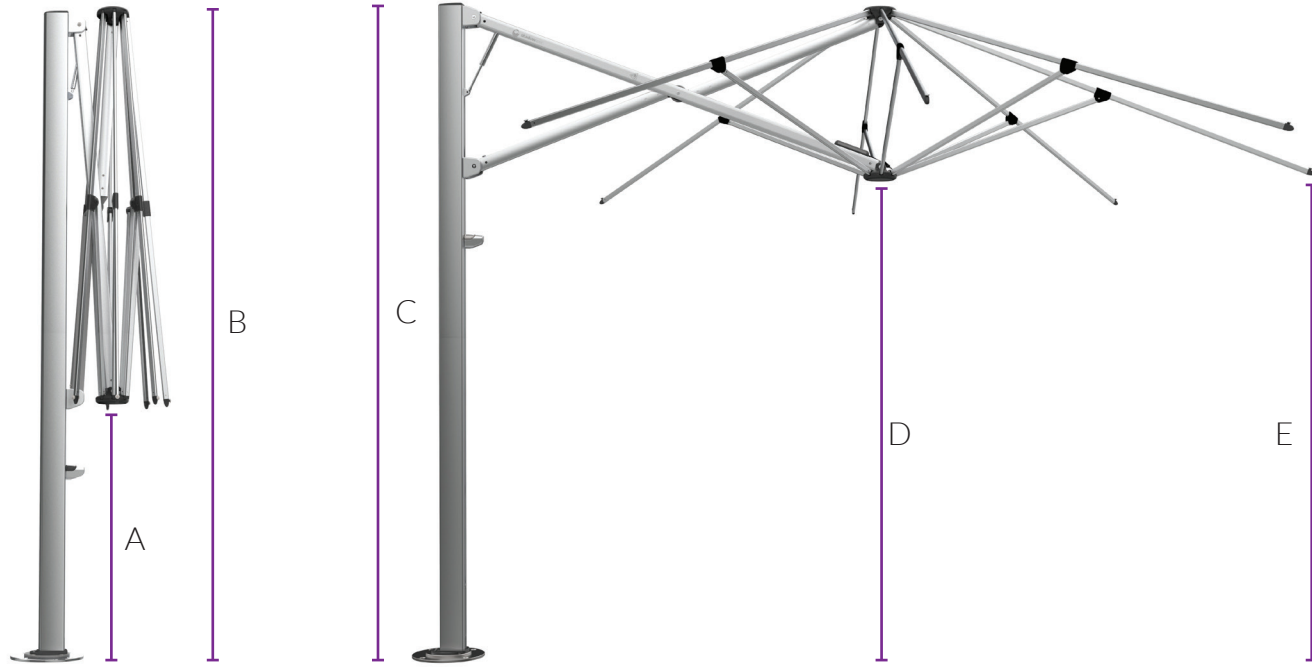
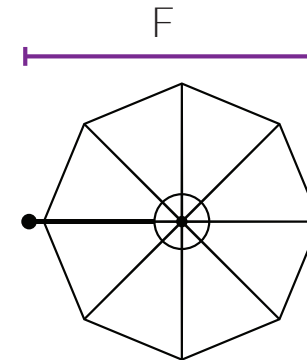


Diagram Legend

A	Ground to central frame hub when closed*
B	Total height to top of canopy*
C	Height of umbrella to top of mast cap*
D	Ground to central frame hub when open*
E	Ground to lower outer edge of canopy*
F	Centre of Spigot to outside edge of canopy
G	Diagonal from centre of mast to corner

4.0m	13'
866mm	2'10"
2899mm	9'6"
2908mm	9'6"
2128mm	7'0"
2172mm	7'2"
3923mm	12'10"
N/A	N/A



*Free-Standing Base installations will add 165mm | 6" to the height and surface plates will add 12mm | 1/2" to the height. Adding Free-Standing Base Wheels also will add a further 45-80mm | 2-3". All sizings are +/- 2.5mm | 3/32" and subject to change without notice.