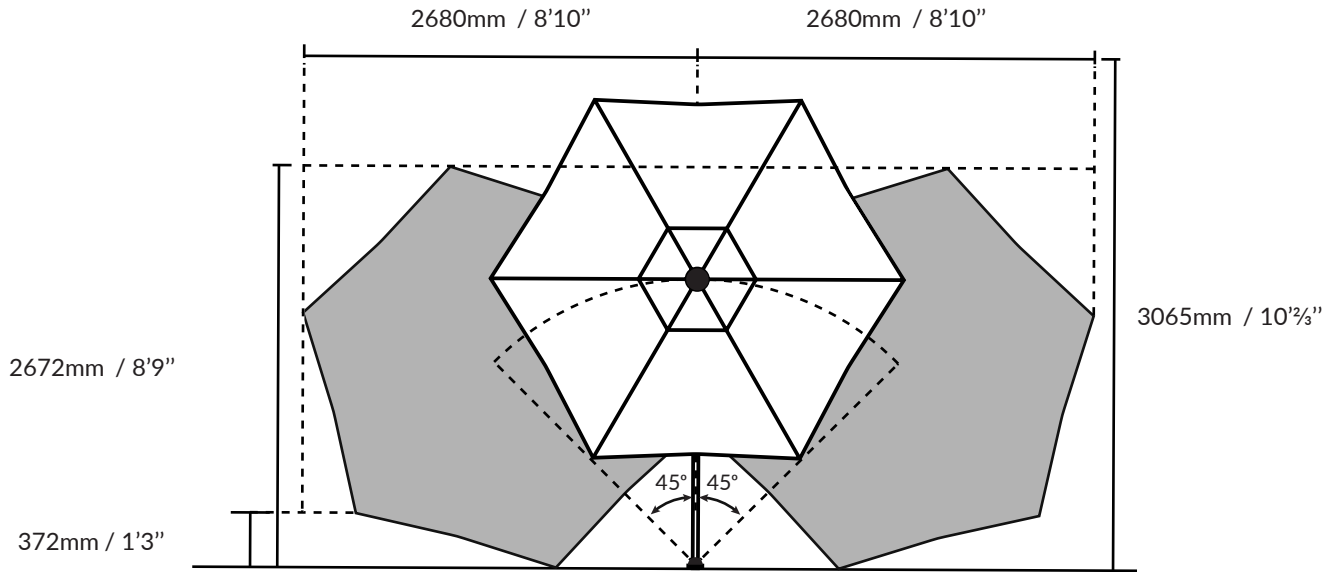
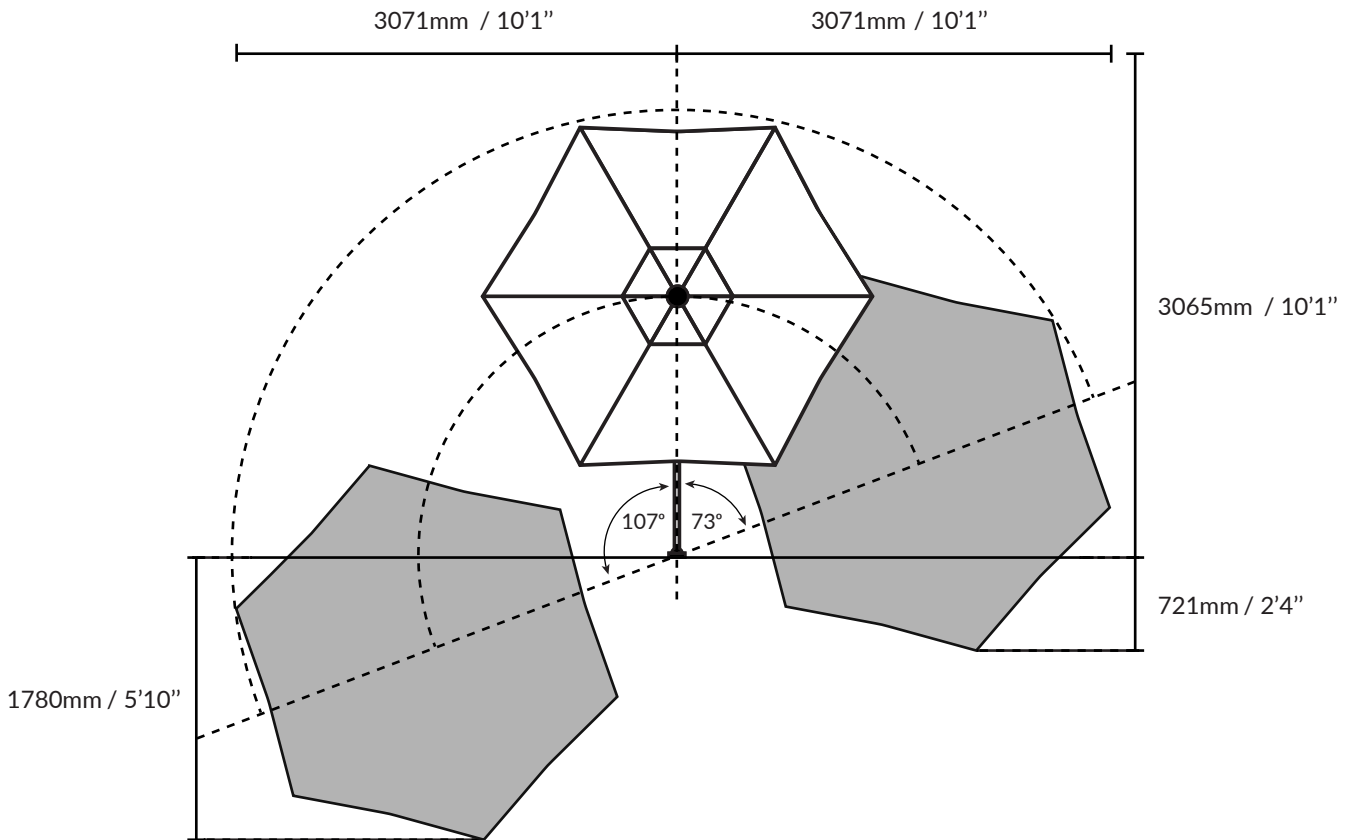




Retreat Rotation Arc - Wall Mounted



Retreat Rotation Arc - Wall Mounted



Note: All sizings and conversions are +/- 2.5mm / 2/32" and are subject to change without notice.

We recommend commercial installations use metric measurement for any umbrella spacing to ensure accuracy.

The Above dimensions make the assumption that you have installed your umbrella at the recommended installation height on your wall.

If you have installed your retreat lower or higher than the recommendations you will need to add that difference to the above measurements.