



SCHATTELLO Mounting Instructions: Exchanging the canopy



Warning

Non-observation of mounting instructions can result in personal injuries or damage to property.

Please note that if these instructions are not observed, the manufacturer cannot assume any liability or guarantee.

- Always follow the safety regulations.
 - Should you not understand any part of these mounting instructions, please contact your MAY dealer.
-



Thank you for purchasing a MAY spare canopy

This instruction manual includes all necessary information on how to attach your MAY spare canopy onto a MAY parasol frame. Read these instructions carefully to guarantee a safe assembly.

Content

Page 03	Cleaning the canopy
Page 04	Repairing the holes
Page 07	Removing the canopy
Page 11	Unpacking the canopy
Page 11	Attaching the canopy



Cleaning the canopy

The MAY company wants to support sustainability. Cleaning and repair save the resources of our planet. Therefore, before buying a new canopy please check whether cleaning may extend the durability of the existing one. Additionally, small holes may be repaired, see page 4.

Cleaning by the customer / dealer:

1. Use CleanoMay 13 article no. 350848 to
 - Spray onto the surface and soak for approx. 10 minutes or
 - mix it into a high-pressure cleaner, follow the instruction on the label, e.g. for mixing ratio.



2. Carefully clean the canopy with a high-pressure cleaner.



Cleaning the canopy may damage the canopy

If the set temperature or the pressure at the jet nozzle is too high or the distance between canopy and jet nozzle is too small, the fabric may get irreparably damaged.

Specially to protect the waterproofing please consider:

- Temperature maximum 30° Celsius.
- Pressure maximum 30 bar.
- Distance from nozzle to fabric minimum 30 cm.

3. After cleaning set the temperature on “cold” and spray as long there is no visible foam (you may have to remove the cleanser from the high-pressure cleaner).
4. Let the parasol get dry in open position to avoid crinkling.

Cleaning by a service provider:

Only authorise a service provider if they are experienced in cleaning sun protection fabrics. Inappropriate cleaning may damage the fabric or threads.

Repairing the holes

Repairing damaged spots with patches of original material is reasonable. However, depending on the amount of daylight or backlight the patches appear as dark shades. Follow the instructions below for a proper repair:

1. Identify the type of fabric and the colour of the original canopy. The patches should be of the same material as the original canopy. Even if the canopy no longer looks like the new original material due to abrasion, the original material and colour will still be the best matching choice. There are several options to find out the original material:

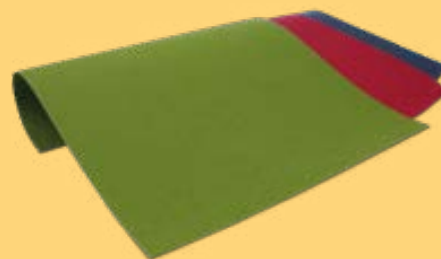
- You will find the fabric number in the product description indicated on the order confirmation or invoice.
- In case of recent parasols you will find the fabric number at the sewed-on MAY label.
- By indicating the serial number (see serial plate at the centre pole), your MAY consultant can identify the fabric number accordingly.
- Photos are not true to colour and therefore are not recommended. Even modern cameras are not save. Different exposure times or special filters distort the results. If photos are still used for fabric identification the MAY company won't assume any guarantee. There is no return, change or compensation of additional costs possible.



2. To make sure the fabric glue provides good adhesion a decent area of fabric must be moistened. Approximately 1 cm around the hole should be glued on.

3. Get patches of the suitable fabric type and colour. You can order patches in DIN-A4 format at the MAY company.

- MayTex-Acryl, article no. 352867 + indicate colour number
- MayTex-Poly, article no. 352868 + indicate colour number
- MayTex-PVC, article no. 352869 + indicate colour number



4. Get the fabric glue. You can order the suitable textile glue for the original canopies at the MAY company. A tube contains 30 g and is adequate for several DIN-A4 patches.

- Textile glue article no. 200131

5. Open the MAY parasol completely to avoid crinkles or waves at the patch.

6. Use a free standing-ladder for the repair (double ladder).



Danger

Inappropriate use of a ladder can cause personal injury and material damage.

If a ladder is positioned insecure or laid-out too weak, you may fall off the ladder.

- Use a free-standing ladder (double ladder).
- Make sure the ladder is in good condition.
- Make sure the ladder stands straight on solid ground.
- Follow the instructions of the ladder manufacturer.

7. The patch and the area to be glued on must be clean and dry. The canopy must be cleaned with soap, the cleanser CleanoMay 13 article no. 350848 is suitable. The patch may be glued on both sides of the canopy.



8. Cut the patch to the required size and shape.

9. Apply the textile glue evenly all over the patch. Follow the specifications of the glue manufacturer.



10. Step onto the ladder and glue the patch centered onto the hole or slit. There must not leak any glue from the patch.



← proper: glue is not leaking

← improper: glue is leaking

Removing the canopy



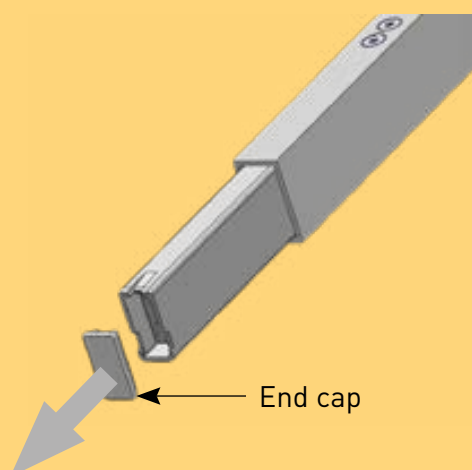
Danger

Wind can turn a loose canopy into a sail.

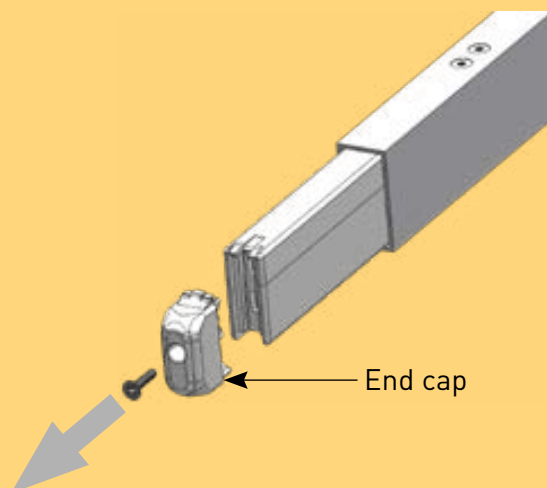
If wind blows into an unsecured canopy, it may fly away with enormous power. This may cause personal injury or material damage to the frame or surrounding obstacles.

- Remove the canopy only if there is no wind.

1. The canopy can be removed at the standing parasol.
2. Open the parasol approximately half-way.
3. Remove the end caps. Until 2017 a connector system was assembled, therefore, the end caps can easily be pulled off.

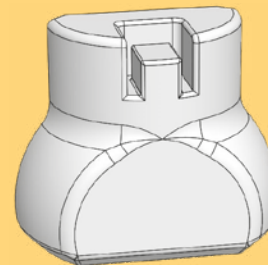
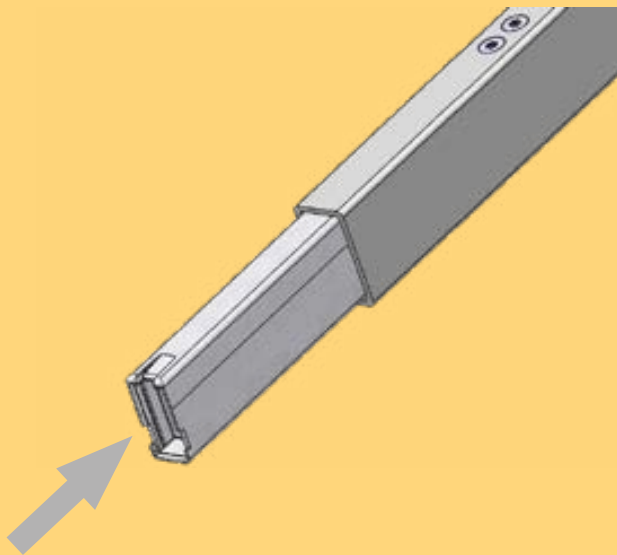


4. As of 2018 the end caps are screwed on. Use a screw driver Torx 15 in adequate length.



5. Push the telescopic tube towards the centre pole. When using the optional assembly aid by MAY the force is distributed evenly on the palm which facilitates the assembly.

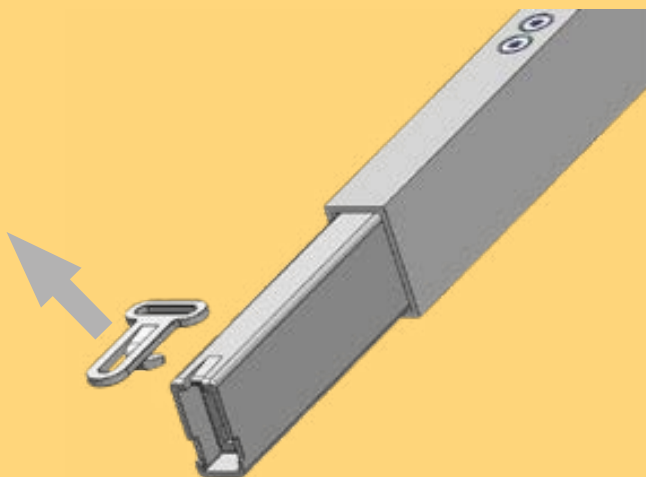
- Assembly aid SCHATTELLO article no. 357816
- Assembly aid ALBATROS article no. 357817



← Assembly aid



6. Remove the tensioning hook at the telescopic tube of the spoke by pulling it outwards.



7. In case you have a canopy with hook-and-loop fastener, open these.



8. Pull off the canopy half-way to the top.



9. Reach over the canopy (to the top) and remove the head plate by turning it clockwise.



Danger

Inappropriate use of a ladder can cause personal injury and material damage.

If a ladder is positioned insecure or laid-out too weak, you may fall off the ladder.

- Use a free-standing ladder (double ladder).
- Make sure the ladder is in good condition.
- Make sure the ladder stands straight on solid ground.
- Follow the instructions of the ladder manufacturer.



10. Remove the hooks



11. A parasol frame without canopy can be cleaned optimally. With water and soap CleanoMay 13 article no. 350848 dirt can easily be washed off the aluminium profiles. With a bit of time, you will gain a fresh and clean appearance. Additionally, it prevents the clean spare canopy from getting dirty.



Unpacking the canopy

1. Open the box.



Caution

Using a knife for opening and removing of the packaging may damage the canopy.

- Do not use a knife or any sharp object to remove the packaging.

2. Take the canopy out of the box.



Danger

Putting the canopy down to the floor may damage the canopy or it may get dirty.

Also, the own weight may cause cuts or abrasions.

- Put the canopy onto a soft mat (e.g. onto a carpet).

Attaching the canopy



Danger

Wind can turn a loose canopy into a sail.

If wind blows into an unsecured canopy, it may fly away with enormous power. This may cause personal injury or material damage to the frame or surrounding obstacles.

- Attach the canopy only if there is no wind.

1. The canopy is attached to the standing parasol.

2. Use a free standing-ladder for assembly (double ladder).



Danger

Inappropriate use of a ladder can cause personal injury and material damage.

If a ladder is positioned insecure or laid-out too weak, you may fall off the ladder.

- Use a free-standing ladder (double ladder).
 - Make sure the ladder is in good condition.
 - Make sure the ladder stands straight on solid ground.
 - Follow the instructions of the ladder manufacturer.
-

3. Clean the parasol frame.



Caution

The new canopy may get dirty.

If the parasol frame is not cleaned before attaching the new canopy, the new canopy will most likely get dirty. It is very difficult to keep the canopy clean in case of a dirty frame (not cleaned) or dirty hands. Therefore, a complete cleaning of the frame is urgently recommended.

- CleanoMay 13 article no. 350848 is suitable for cleaning the frame, even in case of persistent dust and dirt.
 - Step onto the free-standing ladder and check the parasol frame from the top. Any dirt you see may make the canopy dirty. Make sure to clean these parts completely.
-

4. After cleaning the parasol frame, wash your hands and use protective gloves to prevent the canopy from getting dirty.

5. Open the parasol frame approximately half-way (see fig., below 7.).

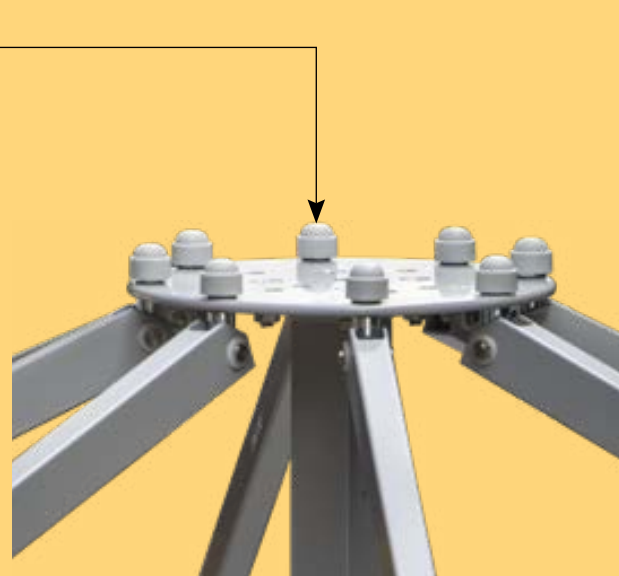
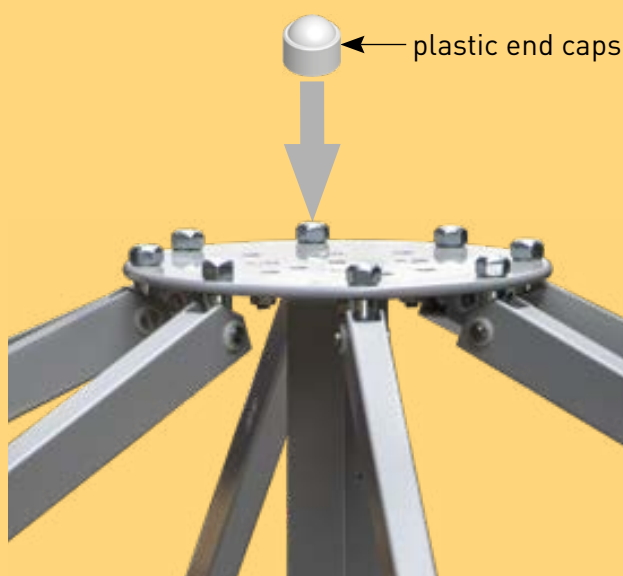
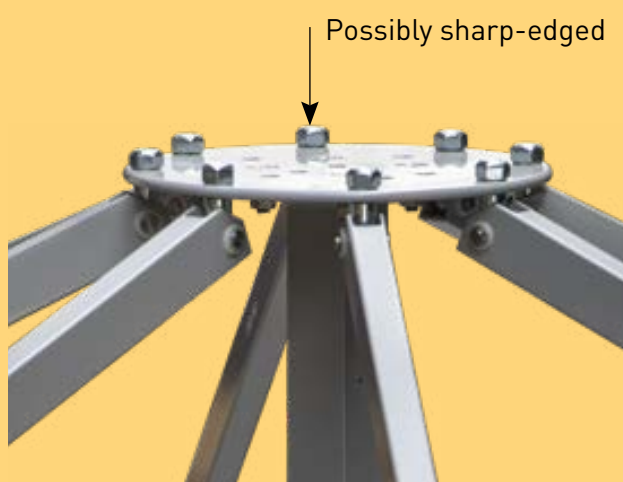
6. Protect the new canopy from possible damage.



Sharp objects may damage the canopy.

In rare cases, there are sharp edges at the upper part of the parasol frame. If the new canopy is pulled over these edges without protection, it may cause abrasions or cuts. Prevent this by taking one of the following precautions:

- Put a “plastic end cap” onto each nut. You can use regular M10, commercially available or you order them at the MAY company. See list “spare parts: type SCHATTELLO”, e.g. in white, article no. 353969.
- Pull the MAY protection cover over the parasol frame; article no. 357905.
- In case you must improvise, create your own protection cover. Several shopping bags (cotton bags, one upon the other, fixed with sewing thread) may be functional as well.



7. Use a free-standing ladder to put the canopy centered on top of the parasol frame.

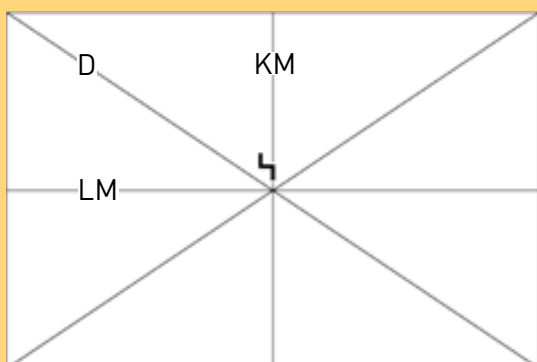


8. Spread the canopy. Top and bottom side differ in the hook position. The hooks are sewed to the bottom part.

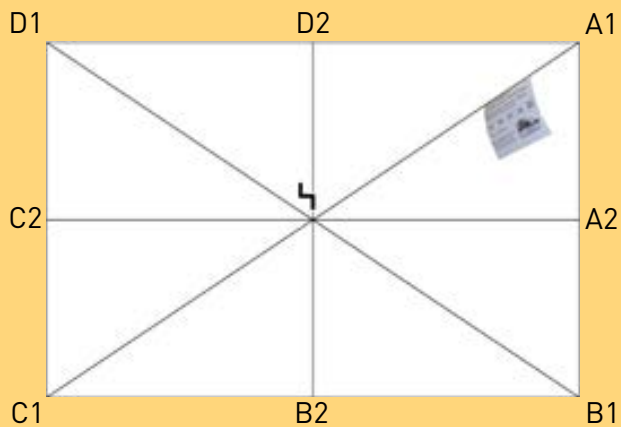
9. There is an opening in the centre of the canopy, put it at this point over the parasol frame.

10. Only for square or rectangular parasols, alignment of the spokes:
 Make sure to attach the hooks at the suitable spokes. For orientation, there are marks at the canopy.
 These must be arranged in accordance to the spokes.

- D = diagonal spoke
- KM = short centre spoke
- LM = long centre spoke



11. Only for square and rectangular parasols, position of MAY label: If several parasols are positioned in a row, it looks better when all labels are positioned equally. Position the label always at the diagonal spoke (A1) directly besides the crank.



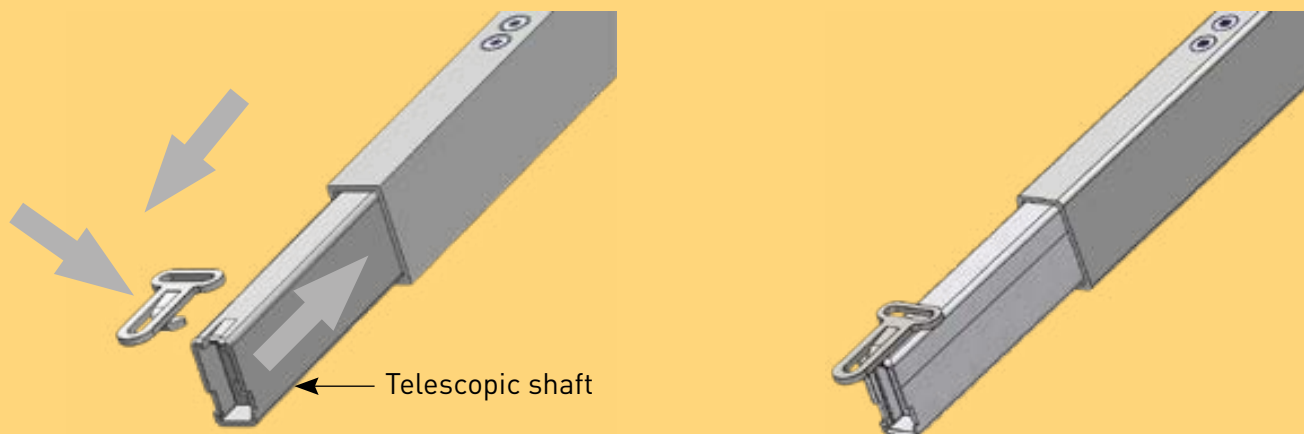
12. Attach the hooks to the spokes.



13. Screw the head plate onto the centre.



14. Attach the tensioning hook to the telescopic shaft of the spoke: Push the telescopic shaft towards the centre pole (with assembly aid, optional tool) and pull the hook outwards until it can be hooked in.



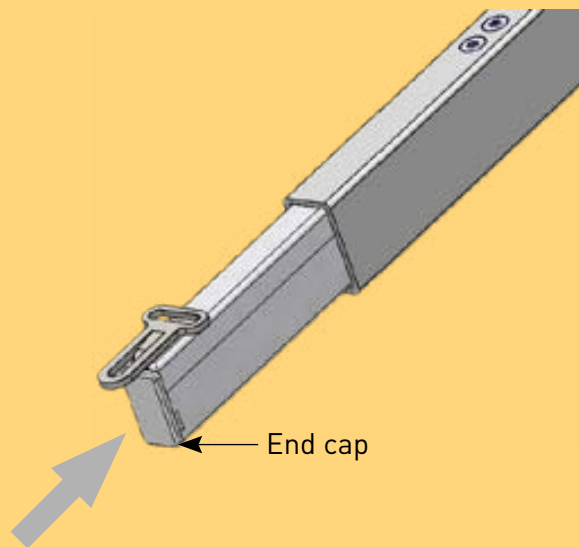
Caution

The canopy may get damaged.

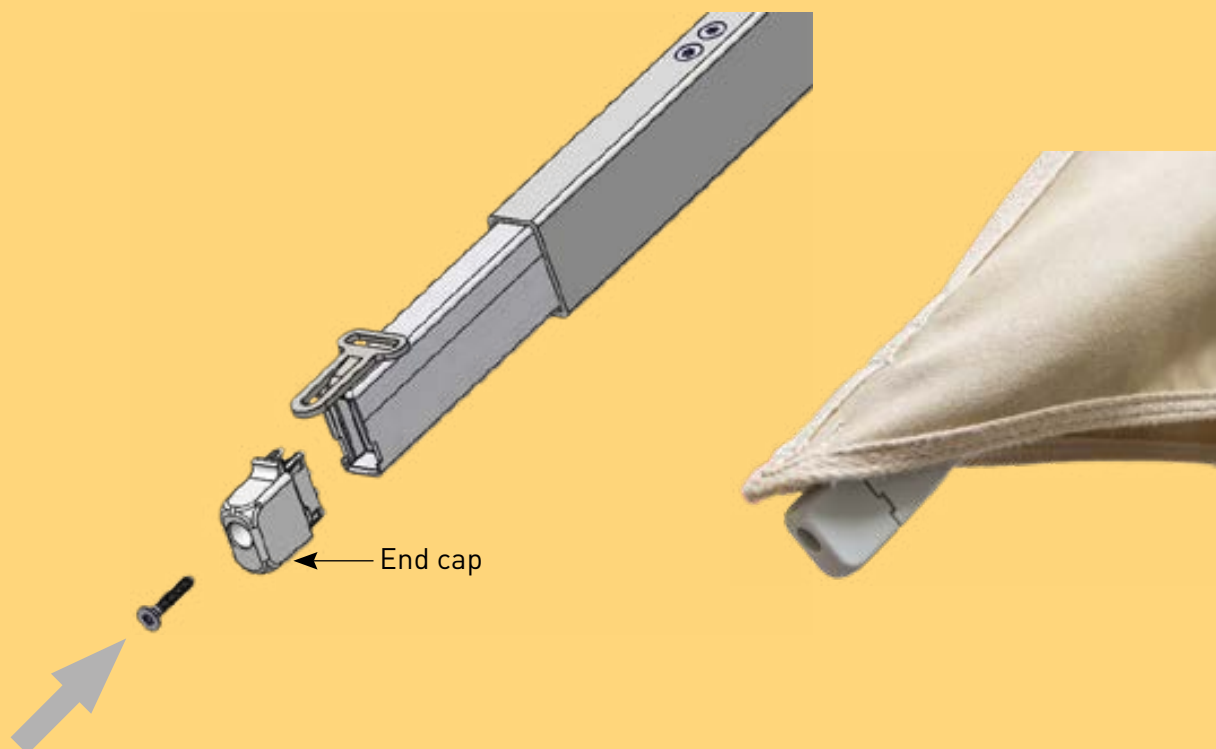
Unless each hook is attached, the wind load cannot be absorbed properly. This leads to premature wear and tear.

- Make sure each hook is attached. Double check this after completing these instructions.

15. Attach the end cap. Pay attention, the cap fits only in a certain position, you may have to turn it. Until year 2017 a connector system was assembled, these can be impressed with relatively low effort.



16. As of the year 2018, the end cap has been screwed on, therefore a screwdriver Torx 15 is required.



17. In case you have a canopy with hook and loop fastener, wrap and connect them around the spokes.



