

SCHATTELLO



Installation instructions type SCHATTELLO

Suitable for installation options with placement hinge



SZ127



SZ131



SZ150



SZ186



SZ194



SZ210



SZ221
SZ243



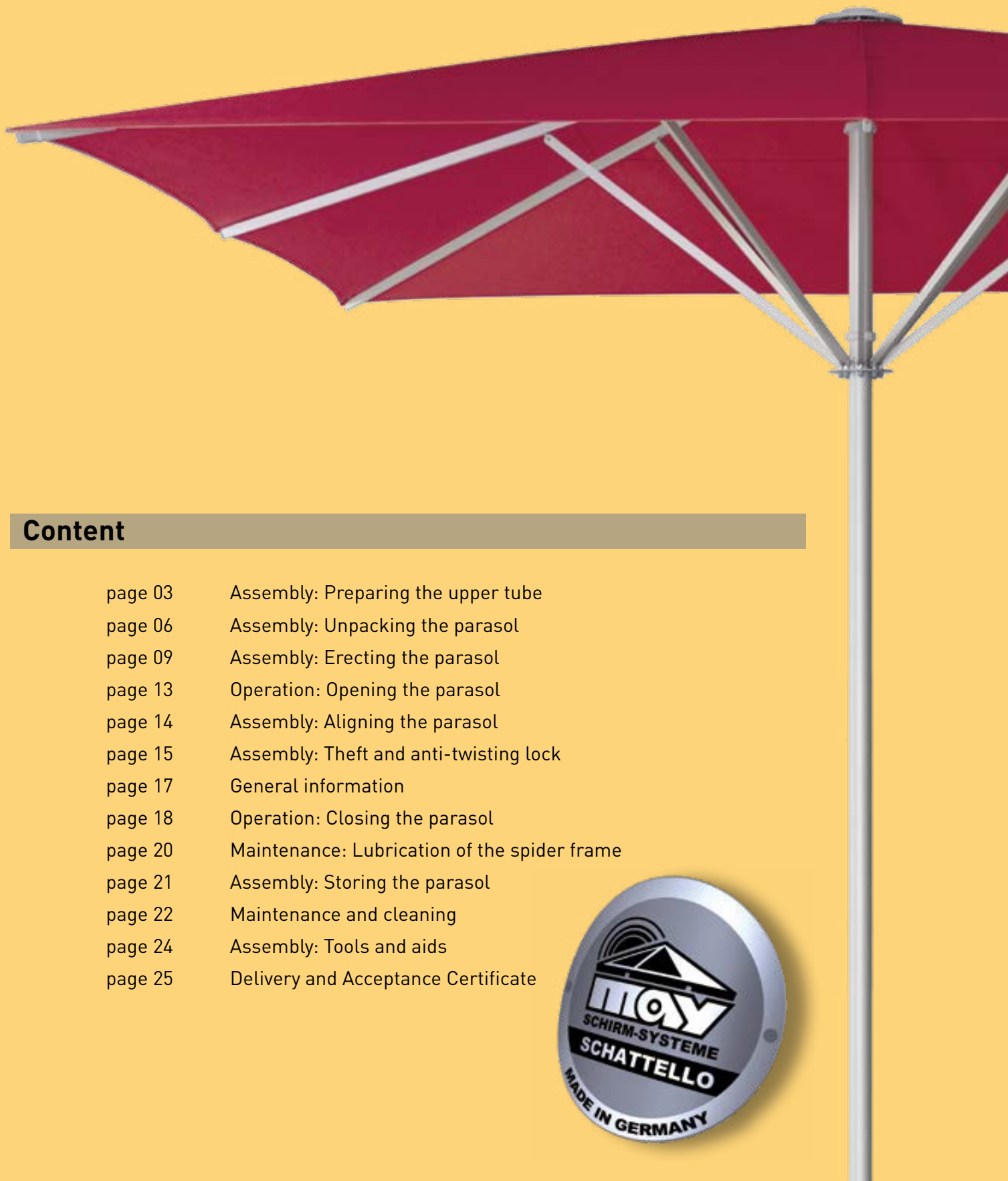
SZ273
SZ275



SZ349
SZ350

Thank you very much for purchasing a MAY parasol.

The following instructions include all information necessary for the correct assembly, operation and maintenance of your MAY parasol. To guarantee absolute safety when handling your parasol, please read these instructions carefully and then keep them for later reference.



Content

page 03	Assembly: Preparing the upper tube
page 06	Assembly: Unpacking the parasol
page 09	Assembly: Erecting the parasol
page 13	Operation: Opening the parasol
page 14	Assembly: Aligning the parasol
page 15	Assembly: Theft and anti-twisting lock
page 17	General information
page 18	Operation: Closing the parasol
page 20	Maintenance: Lubrication of the spider frame
page 21	Assembly: Storing the parasol
page 22	Maintenance and cleaning
page 24	Assembly: Tools and aids
page 25	Delivery and Acceptance Certificate





Warning

Non- observation of operating instructions can result in personal injuries or damage to property.

Please note that if these instructions are not observed, the manufacturer cannot assume any liability or guarantee.

- Always follow the safety regulations.
- Should you not understand any part of these operating instructions, please contact your MAY dealer.



Warning

Wind can damage your parasol. No guarantee possible.

- Always completely open or close the parasol. Never leave it merely half-opened, as it is then not fully stable.
- Immediately close the parasol whenever wind rises.
- If parasols are erected in an exposed location (e.g. in upcurrents, on sloping ground, in wind corridors, etc.) the weight of the base must be increased.

Assembly: Preparing the upper tube

1. Use the two M10 hex socket head screws and washers to fix the upper tube including hinge plate onto the tube base part.



Caution

A falling parasol can cause serious or even fatal injury.

If, during assembly, the upper tube slips away, it will be impossible to hold onto the parasol. It will fall down and possibly cause a serious accident.

- Slip the washers on the M10 hex socket head screws.
- Tighten the M10 hex socket head screws manually using the hex key provided.
- The correct torque for a torque wrench:
Steel anchor tube: 49 Nm ; Stainless steel anchor tube: 37 Nm.



Caution

Screws that are not tightened correctly will work loose.

If screws are not tightened firmly enough, there will not be sufficient tensile force to trigger self-locking. If the screws are tightened too firmly and over-stressed, the screw connection may slacken.

- Tighten the screws manually.
- The correct torque for a torque wrench:
Steel anchor tube: 49 Nm ; Stainless steel anchor tube: 37 Nm.



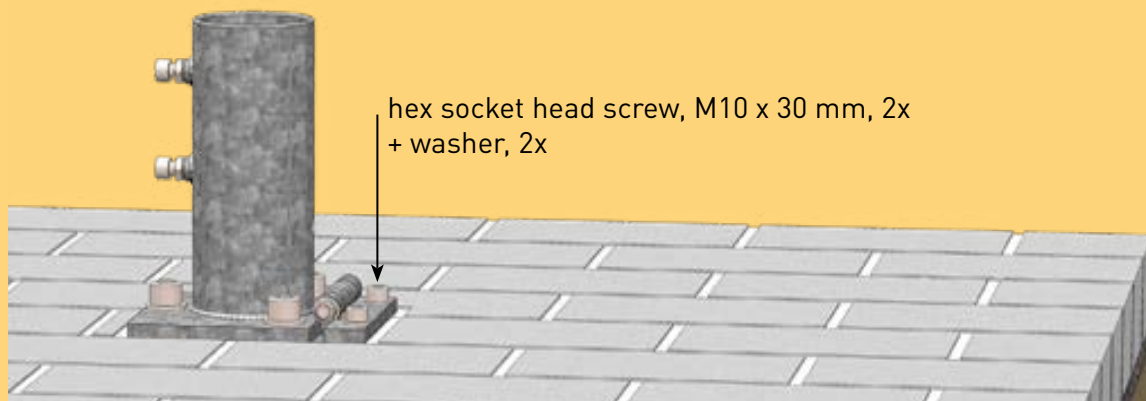
Danger

Threads may be damaged.

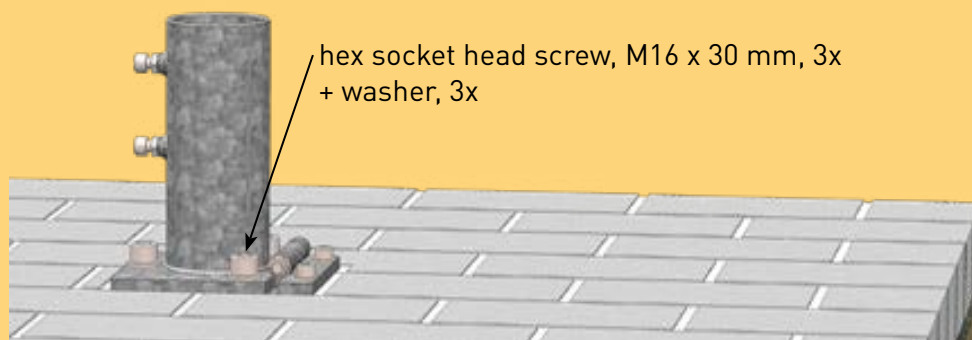
If the threads are intact, it should be easy to screw in a screw by hand. If this is not the case, the external and internal threads are damaged. Under heavy loads or strong winds, the screw connection may loosen as the tensile forces can no longer be absorbed. The parasol will then fall over.

How does damage occur? This is caused by wear, incorrect use or corrosion. This becomes noticeable when the screw is very difficult to screw in or without any resistance. Thread damage also occurs when the screw is forcibly screwed in with dirty thread grooves. Sand in particular causes significant material removal, as sand is harder than steel.

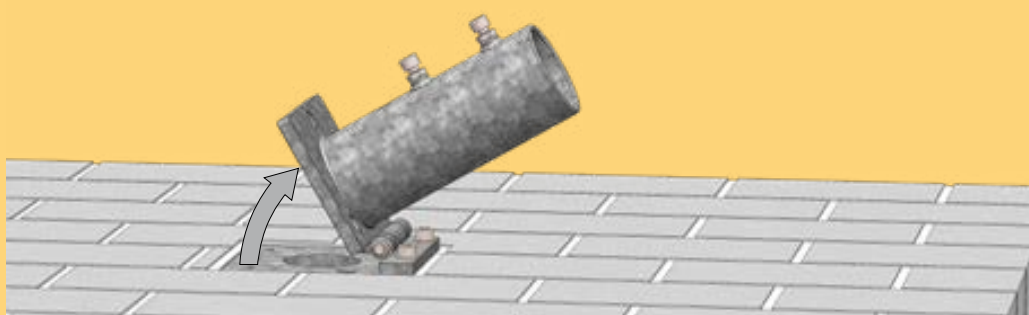
- Carry out a visual inspection of the threads during each screwing process. If visual damage is visible, skip the next point and process the threads as described.
- If the screw can only be screwed in with a great deal of force, you will damage the thread. Then immediately unscrew the screw again and carry out the next steps.
- Clean the external thread of the screw. Ideally, you should do this with a die. Or with a steel brush, or a brass brush for stainless steel screws. If necessary, replace the screw.
- Clean the internal thread in the lower part of the sleeve with a tap. If the thread is too badly damaged, it must be replaced. This can be done by a metal specialist, e.g. with an Ensat.



- Loosen the M16 screws of the upper tube plate.

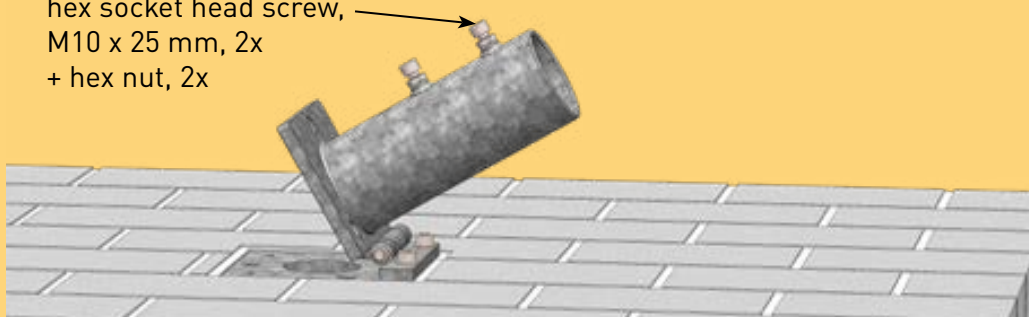


- Tilt the upper tube until it is in a horizontal position.

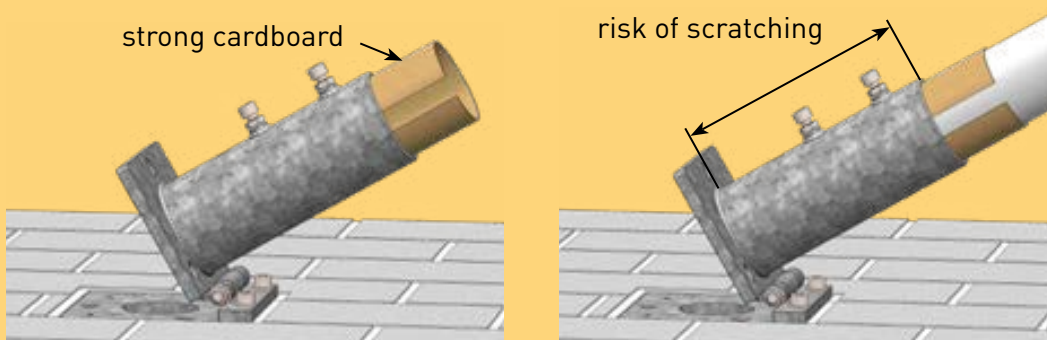


- Loosen the two M10 hex socket head screws of the upper tube until there is sufficient clearance inside the upper tube for the centre pole to be inserted horizontally.

hex socket head screw,
M10 x 25 mm, 2x
+ hex nut, 2x



- Put a piece of thin, strong cardboard (280 x 230 mm, max. 2 mm thick) into the upper tube to protect the powder coating of the base mast from scratches during insertion.



Assembly: Unpacking the parasol

1. Remove bottom end cap of the front part of the cardboard sleeve.

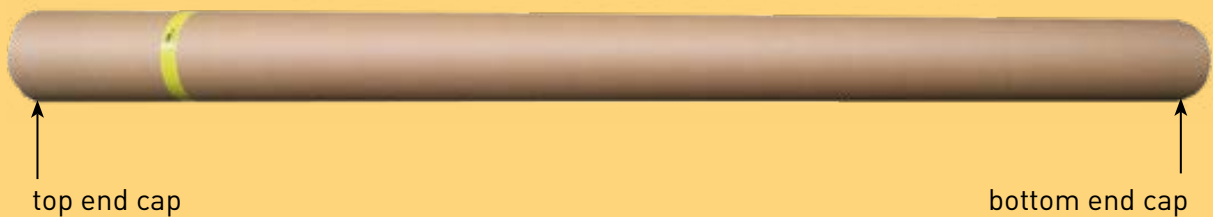


Caution

Pulling out the parasol from the cardboard sleeve may damage the canopy.

When the parasol is withdrawn, the metal brackets that fasten the tube caps can tear the fabric.

- Remove all metal brackets from either end of the protective tube before withdrawing the parasol.



2. Remove the accessory package (crank, MAY protective gloves) and the printout of the operating manual attached to the centre pole.
3. Remove the top end cap. This is not required but helpful as it avoids the development of a vacuum within the cardboard sleeve during pulling out the parasol. This would complicate pulling out the parasol.
4. Pull at the centre pole to pull out the parasol of the cardboard sleeve.



Caution

Pulling the parasol over rough surfaces (brinks, edges, floors) damages the fabric.

- Put the cardboard sleeve onto two tables or working platforms in order to pull out the parasol away from the ground.
- Never pull the parasol over brinks or edges.
- Do not lean the parasol against anything.



Caution

If the parasol falls onto the ground, the canopy fabric gets damaged.

The best way to carry the parasol is on the shoulders. Its heavy weight makes it difficult to lay it on the floor.

- Avoid all risks of tripping on the route of transport. Clean the ground where the parasol is to be positioned.
- Carry the parasol with at least 2 persons.



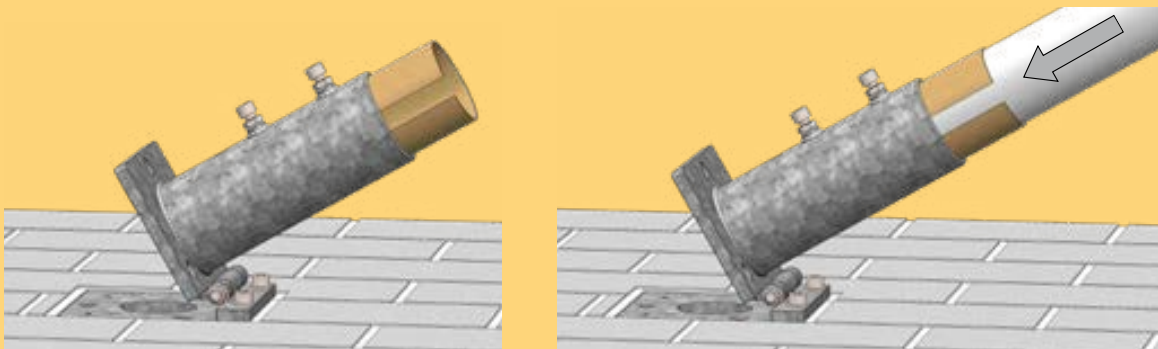
Caution

Laying down the parasol may damage the canopy.

If the parasol is laid on the ground or on a transport trolley, the weight of the parasol can cause cuts and abrasions at the canopy.

- Carry the parasol with 2 persons until it is safely fixed within the anchorage or lay it onto a soft mat which is large enough (e.g. carpet).
- Do not put down the parasol to the ground to avoid point loads (stones, crushed rock, transport trolley with a small rest).

5. The second person brings the upper tube into horizontal position. The axis of the centre pole and of the upper tube should be aligned to make sure they will not cant during connecting.
6. Plug the parasol into the upper tube. If the parasol is with electric power, the second person must pull the electric cable trough the bore hole at the upper tubing at the same time.



7. Put the parasol into the MAY setup aid (if purchased, art. no. 352040) or onto a chair.



Caution

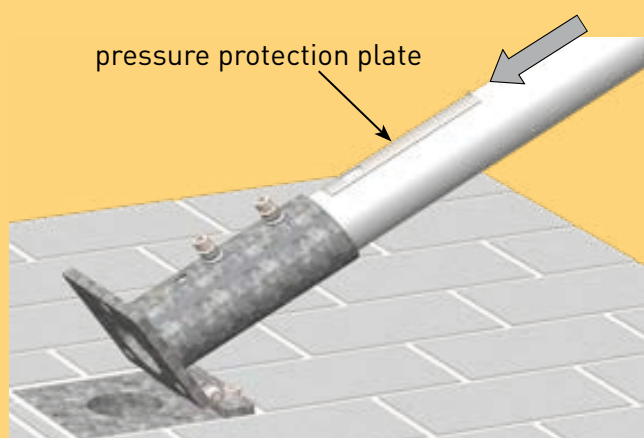
Laying down the parasol may damage the canopy.

Avoid point loads when laying the parasol down as the tare weight can cause cuts or abrasions at the canopy.

- The support points must be softly padded with a cushioned contact layer.



8. Remove the cardboard from the upper tube.
9. If you have purchased the pressure protection plate, art. no. 352201, slide it between the parasol mast and the upper part of the sleeve on the axis of the two M10 screws.



10. Tighten the two M10 hex socket head screws of the upper tube.

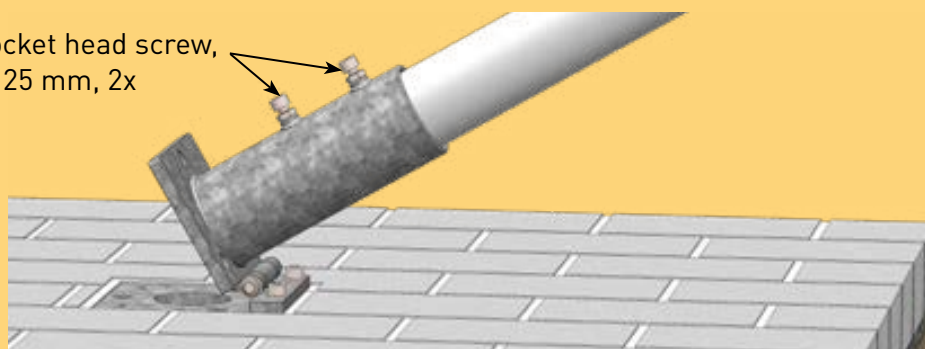


A falling parasol can cause serious or even fatal injury.

If, during assembly, the parasol spins round in the upper tube, it may become uncontrollable, fall and thus cause a serious accident.

- Tighten the two M10 hex socket head screws with a torque of 20 Nm.

hex socket head screw,
M10 x 25 mm, 2x



Assembly: Erecting the parasol

1. Remove the foam package.



Caution

If a knife is used to remove the packaging, the protective sleeve and the canopy fabric may get damaged.

- Do not use a knife or any other sharp instrument to remove the packaging.
- Remove the adhesive tape by pulling at the end and winding it up.

2. Remove the protective sleeve. (It only serves transport and storage purposes)



Caution

Canopy may get dirty or damaged.

While erecting the parasol, always make sure the canopy is firmly tightened around the centre pole and secured with the lashing strap. Otherwise the fabric may touch the ground and may get dirty or damaged.

- Only remove the transparent protection sleeve after you have put a clean carpet or cardboard onto the floor.
- The yellow lashing strap may only be removed when the parasol is in vertical position.



3. Use the enclosed MAY protection gloves to avoid the canopy is getting dirty.



4. Only for parasols operated with electric power via ground cable:
Hold the parasol in a horizontal position and connect the underground cable with the electric cable in the centre pole (cf. illus. next page). Allow a surplus of at least 50 cm length of the underground cable and pass this into the centre pole. The cable joint must be waterproof and detachable.

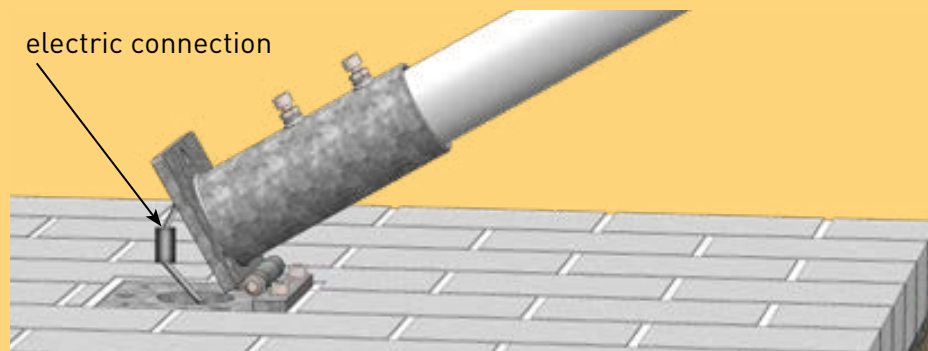


Electric installation work should be carried out solely by a certified electrician. Disregarding this warning may result in serious personal injuries.



Secure your parasol with a residual current circuit breaker / RCB or RCBO (rated differential current 30 mA).

Please note: according to legal requirements, RCB/RCBO protection switches must be checked by the operator at least every six months. Non observation may result in personal injuries.



5. Erect the parasol.





Danger

A falling parasol can cause serious or even fatal injury.

If too few people attempt to erect the parasol, it may become too heavy and uncontrollable, thus causing a serious accident.

- You will need at least 2 people to erect the parasol, possibly even 3 or 4.
- Make sure that there is enough room for the helpers to get out of the way in case the parasol does start falling.
- Make sure that there are no other people standing around while the parasol is being erected.
- Avoid risk of falling during transport. Clean the place of installation, remove the packing and the protective sleeve.

6. Fasten the upper tube to the bottom tube using socket head screws and washers.

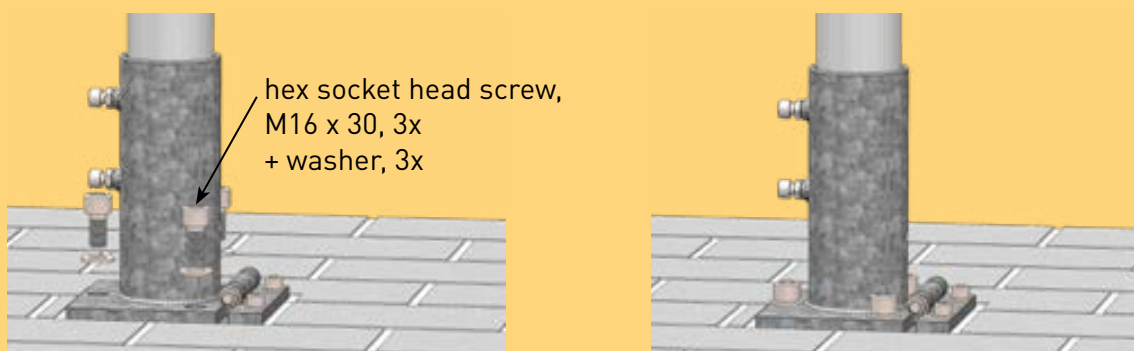


Danger

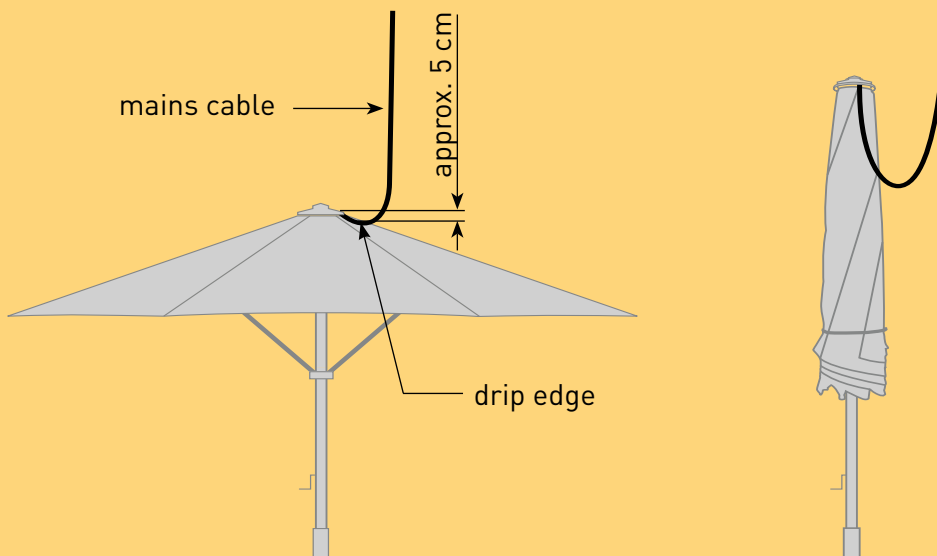
A falling parasol can cause serious or even fatal injury.

If the screws are not tightened firmly enough or they work loose because no washers are used, the parasol may topple down and cause serious or even fatal injury.

- Place the washers onto the M16 socket head screws.
- Tighten the M16 socket head screws with torque as following:
Steel upper tube: 210 Nm ; Stainless steel upper tube: 160 Nm.



7. Only for parasols operated with electric power with head plate:
Connect the power cable on the parasol to the mains cable.



Danger

Water under the head plate can cause a short circuit.

Mains cables, ropes, etc., which are attached to / under the head plate, must be routed in such a way that must be routed so that (rain) water flows away from the parasol. Water under the head plate can lead to short circuits and dangerous surface currents.

- Suspend power cables, ropes, etc. in such a way that the water does not run off or drip down the inside of the parasol pole.



Danger

**Electric installation work should be carried out solely by a certified electrician.
Disregarding this warning may result in serious personal injuries.**



Caution

Secure your parasol with a residual current circuit breaker / RCB or RCBO (rated differential current 30 mA).

Please note: according to legal requirements, RCB/RCBO protection switches must be checked by the operator at least every six months. Non observation may result in personal injuries.



Caution

Protective sleeve cannot be pulled over.

The external mains cable prevents the supplied protective sleeve from being pulled over the parasol. No warranty, guaranty or liability.

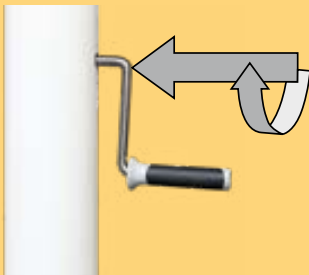
Operation: Opening the parasol

1. Remove the yellow strap from the canopy.
2. Plug the hand crank (art. no. 207525) into the gearbox bore. During first time of opening you may have to push the spokes outward.



If the hand crank is not fully inserted, it will wear and not release the gear brake.

- Always insert the hand crank right up to the limit stop.
- During cranking always also push a bit to make sure the crank / drill bit stays right up to the limit stop.



3. Fully open the parasol (c.f. illustration) by turning it clockwise as far as the limit stop. The parasol will not be fully taut until the stop screw is well settled on the plastic ring.



A falling parasol can cause serious or even fatal injury.

If the parasol is not firmly anchored in the upper tube, it may be lifted by the wind.

- Make sure all screws of the uppertube are tightened firmly.



The parasol can be damaged if it is opened with a drilling machine.

When opening a parasol with a drill, driving too close to the limit stop may damage the operating mechanism.

- Always use the crank for the last few turns up to the stop, not the drill.
- Please only use drills with integrated safety clutch. Always set the safety clutch to the lowest level, this reduces the damage in case the drill would hit the limit stop.



A parasol may be a danger zone.

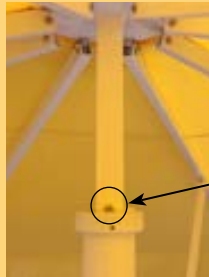
Make sure that there are no other people or items standing around while the parasol is being erected.



If the parasol is not fully opened, it wears out more quickly.

Only if the parasol is fully opened, the canopy is fully stretched and reaches its maximum stability. This makes sure the wind is spread evenly on the spokes and guarantees highest stability and slowest possible wear and tear.

- Always open the parasol as far as the limit stop.



stop screw on the plastic ring

Assembly: Aligning the parasol

1. Open the M10 hex socket head screws of the upper tube.
2. Open the parasol (cf.: "Opening the parasol").

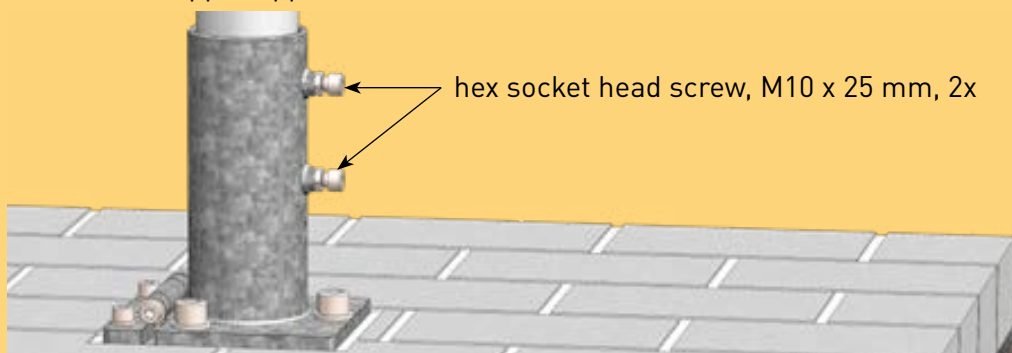


The Wind can lift the parasol out of the upper tube.

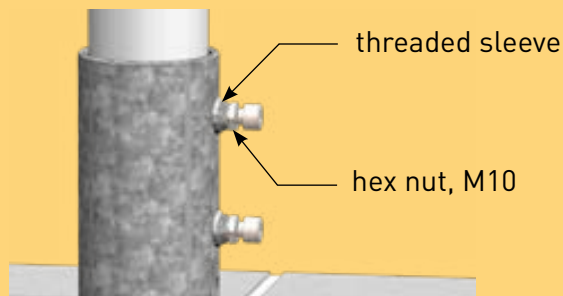
- When the M10 hex socket head screws are loosened, do not open the parasol unless the wind is absolutely calm.

3. Turn the erected parasol within the upper tube until the required position has been reached. Aligned parallel to the wall of the house is visually appealing. In case of several parasols they should be positioned parallel and the crank bores with the sticker should point in one direction.
4. Have one person standing on a double ladder to hold on to one spoke edge.
5. A second person indicates in which direction the canopy should be turned, until the desired position is reached (e.g. canopy parallel to the wall of the house).

6. While the person on the double ladder holds on to the canopy, the other person must tighten the two M10 screws at the upper upper tube.



7. Lock the two M10 hex socket head screws to the welded threaded sleeve by tightening the hex nuts.



Danger

If the parasol is not fully anchored, it can cause serious or even fatal injury.

If the M10 screws work loose, the wind can lift the parasol.

- Use only the original M10 hex socket head screws and tighten them with a torque of 20 Nm.
- Secure the M10 hex socket head screws with the hex nuts.

Assembly: Theft and anti-twisting lock



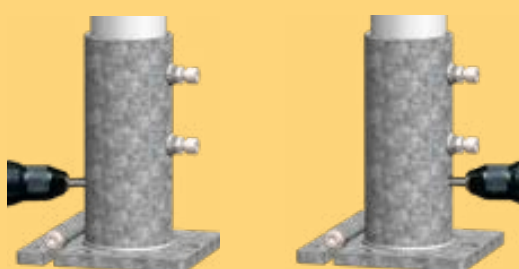
Warning

Drilling holes for theft and anti-twisting lock may ruin the electric motor (if installed).

- If the parasol is equipped with an electric motor, do not drill holes to mount the theft and anti-twisting lock.

1. Align the parasol into the position required (cf. paragraph "Aligning the parasol").

2. Holes have been provided in the upper tube for anti-twisting mechanism. Use these as master/ guide holes. Use a centre punch and a hammer to punch the main axes. This small dent makes sure the drill stays centric during drilling.
3. Drill the through hole for the theft and anti-twist lock by drilling from both sides through the parasol pole and the inner tube. Use a twist drill with \varnothing 12.5 mm for this. To reduce the effort required and to be able to drill with a cordless drill, it is advisable to pre-drill with a smaller diameter first and then gradually increase to \varnothing 12.5 mm. We recommend using the twist drill \varnothing 5 mm, \varnothing 8 mm and \varnothing 11 mm.



Only for parasols operated with electric power with underground cable:

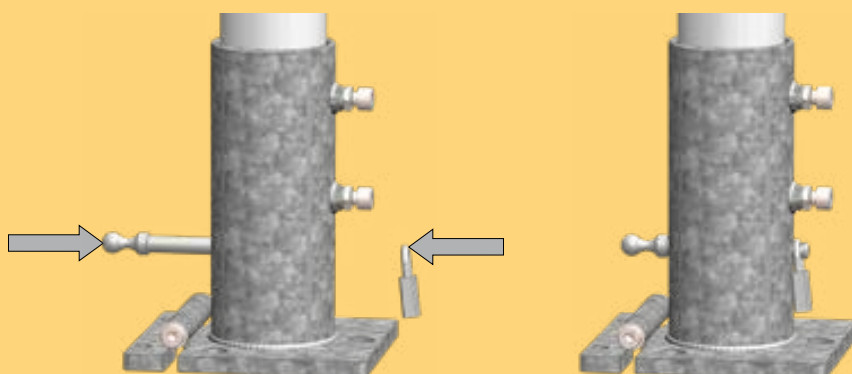


Caution

Drilling may damage electric cables that are routed through the pole of the parasol.

- Make sure the cable is not energized.
- Be sure to avoid routing the cables inside the parasol pole too close to bore holes, otherwise they will be penetrated or damaged by the drill.
- Do not remove the protection tube covering the electric cable. This is factory-made and the only drill protection.

4. Slip the bolt through the holes and mount the lock.



General information

1. Use the parasol only if it is in original condition.



Caution

Any constructional change may lead to damages.

If the original condition is changed, constructional components may collide, the stability gets reduced, opening and closing becomes complicated and the canopy or the metal base gets damaged. Other components beside or below the parasol may also be affected. No warranty, guarantee or liability.

- Only use original MAY spare parts.
- Do not make any constructive changes, e.g. bore holes, exchanging screws.
- Do not use any external material.
- Do not attach any items into the parasol, e.g. decoration or electrical equipment.
- Only use the parasol if it is free of damage and fully functional.
- Repairs may only be done by authorized personnel.

2. Only use the parasol if the weather is permitting.



Warning

Extreme environmental impacts may cause personal injury and material damage.

If a parasol is exposed to excessive strain it may get damaged or even ruined. The spokes, the canopy or the centre pole may get damaged. Also, surrounding objects may be affected.

- After closing the parasol always secure it with the lashing strap.
- Close the parasol in case of thunderstorms, hail or extreme rain showers.
- The parasol is not made for snow loads. Close the parasol in case of snow and icing.
- Close the parasol if unattended.

3. Keep away children from the crank during opening and closing the parasol.
4. Keep the parasol away from open fires and its sparks. Deep fryers from surrounding booths cause dirt. The canopy and the frame also get dirty from electric fires positioned directly below the parasol. Exhaust fumes deposit as a black lubricating film underneath the parasol.
5. Check with your insurance if there is an option to cover storm damage for your SCHATTELLO. Storm damage: If a parasol is not professionally closed and secured (as instructed in this instruction manual) it may damage the parasol.

Operation: Closing the parasol

1. Insert the crank or the drill bit into the designated bore of the canopy mechanism and close the parasol by turning it anti-clockwise as far as the limit stop. Or open the parasol with the integrated tabular motor, see "operating manual tabular motor".

2.



**Fabric jammed between the spokes can cause abrasion and scouring marks.
No guarantee possible.**

- Pull the covering fabric from between the spokes and fold it round the parasol pole in one direction as you would with an ordinary portable parasol.

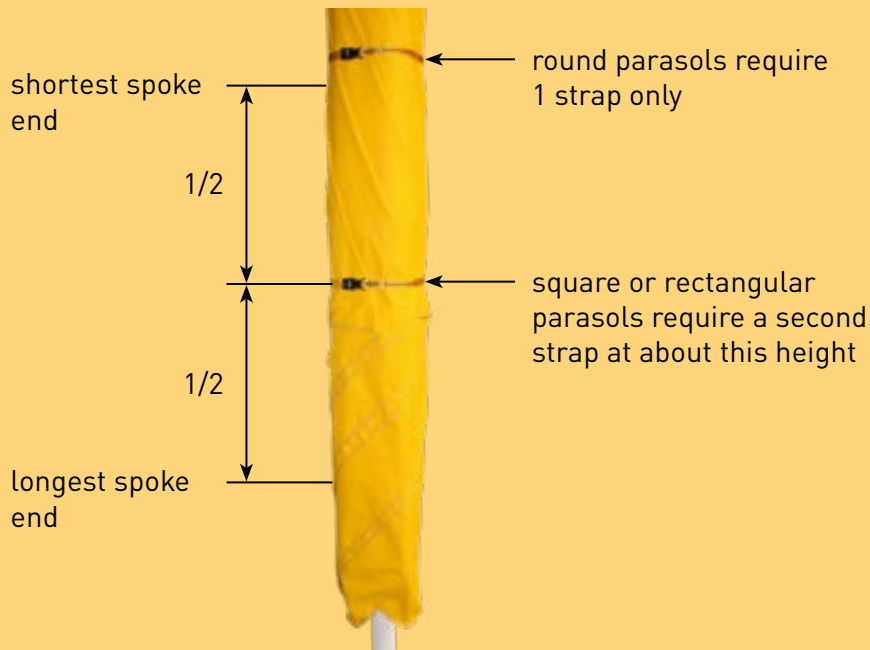


3. Secure the parasol with the strap provided, use a freestanding ladder, if available.



**Wind can do damage to an unsecured parasol and may lead to abrasion of the canopy fabric.
No guarantee possible.**

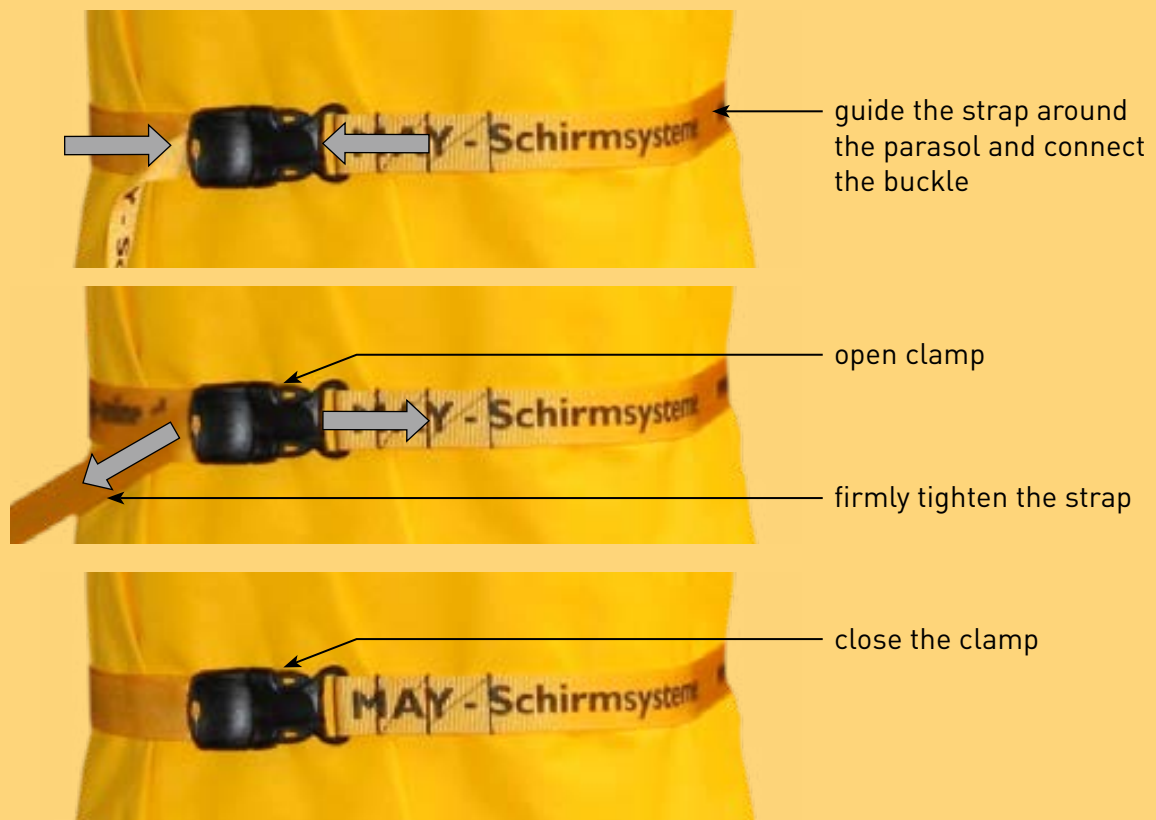
- In case of a round parasol 1 strap is sufficient, positioned above the spoke end.
- In case of square or rectangular parasols 2 straps are needed. The first one is placed above the shortest spoke end, the second between the shortest and the longest spoke end.
- Be sure to pull the strap so tight that the spokes cannot move.



A ladder that is leaned against a parasol may cause scouring marks. No guarantee possible.

If you climb up a ladder that is leaned against a parasol it causes pressure between ladder, canopy and aluminium frame. This causes scouring marks, often even small holes (a few millimetres large) appear.

- Do not lean a ladder directly against the parasol.
- Only use freestanding ladders.



4. Pull the protective sleeve provided over the parasol.



Wind can do damage to an unsecured parasol and may lead to abrasion of the canopy fabric. No guarantee possible.

Even if the parasol is closed and secured by strap there are still parts of the canopy that cannot be secured by the strap and may therefore move in the wind. Especially below the strap the canopy and valance may flutter noisily. In extremely windy areas this damages the canopy at an early stage. Canopies made from MayTex-Poly especially tend to this kind of flutter damage.

- Pull the protective sleeve over the parasol.
- For daily use, we recommend a „Protective sleeve, version zipper, art. no. SA022 / SA122 in addition with telescopic pole, art. no. 356040“.

Maintenance: Annual lubrication of the spider frame

1. Close the parasol until the lubricant bore hole becomes visible on the telescopic shaft.
2. Place the parasol in upright position, then squirt approx. 1/3 of the LubriMay13 tube contents (art. no. 350652) through the bore onto the spindle, beneath the set screw.



Storing the parasol

If possible, leave the parasol outside throughout the whole year. Unprofessional storage may rather lead to damages than leaving the parasol outside.

There are several reasons for winter storage, e.g. if there is no vandalism protection given or if the city administration requires parasol removal. Following instructions must be followed for storage:

1. The canopy must be really dry for storage.



Improper storage may damage the canopy.

If the following instructions are not observed, mildew may stain the material or the sewing thread may start to moulder.

- Make sure the parasol is really dry.
- Fold the fabric correctly, see chapter „closing the parasol“.
- Pull the protective sleeve over the closed parasol.
- Store the parasol in a dry room.
- Ensure a constant room temperature to avoid water condensation.

2. Make sure to avoid pressure marks at the canopy during storage.



Improper storage may damage the canopy.

Point loads from the tare weight or other subjects cause pressure marks and holes.
No guarantee possible.

- Remove the electric heaters including the swivelling holder, see separate manual. Wrap foam material around the plugs of the “wiring long” or fixate them at the bottom part of the spokes so that they are not scouring the canopy.
- Remove the fixation of the (suspended) rain gutter and the side sheets, see separate manual.
- Remove any external components, if applicable.
- The weight of a horizontally stored parasol must be supported by a possibly large surface. Use the cardboard tubes in which the parasol was delivered. Push in the parasol to avoid point loads.
- In case you store the parasol in a rack without the cardboard tube, please make sure the rack is deep enough to provide sufficient seating.
- The most simple and safe way to store a parasol is in vertical position. Just put the parasol into a pedestal frame. If this unit is indoors, the parasol is protected from wind and weather and therefore the canopy lasts the winter without damage.

3. Store the parasol away from mice.



Mice like to gnaw on textiles. This causes material damage.

If the parasol is not protected from mice, they may damage the canopy. Please always check each storage to make sure mice will not get in.

- Do not store a parasol in lying position on the floor.
- Cross arm racks (no connection to the ground) that are doveled into the wall are a good solution, as long as the distance to the ground is big enough, so mice cannot climb up.
- A parasol that is stored in vertical position is protected from mice, as they cannot climb up the slick centre pole.

Maintenance and cleaning

1. Maintenance and cleaning should only be done by official MAY dealers.



Do not spray the center pole and electrical parts with water or clean with a steam jet.

Water ingress can lead to short circuits and surface current. Danger to life and damage to property possible.

- Do not spray the center pole (especially the electrical harness and top cap) with water or clean with a steam jet.
- Clean the parasol by hand using a cloth.

2. Cleaning the canopy: Use a soft brush to remove dirt from the canopy, or use a high-pressure hose (max. 30° C, max. 30 bar, min. 30 cm distance between nozzle and canopy) and CleanoMay, art. no. 350848. Afterwards rinse well with clear water so no soap residues remain on the fabric.





If not cleaned properly, the canopy fabric may get damaged.

- Follow our cleaning instructions for cleaning your parasol.
-

3. The MAY company will be pleased to overhaul your parasol and clean the canopy fabric for you. However, this is only possible off-season, i.e. from October to December.
4. Please contact your local retailer to clarify the transport to the MAY company.
5. Please keep in mind, the lead time for spare canopies and other spare parts is shorter during winter than in spring and summer time.

Assembly: Tools and aids

This chapter helps the technician to get optimally prepared. Use the following checklist to guarantee a smooth and professional assembly. All items required are listed below.

Depending on individual circumstances it may be helpful to have your regular tools and aids available as well.

Assembly:

- 8 mm and 14 mm hexagon key (Allen key, supplied with the delivery)
- strong cardboard 280 x 230 x max. 2mm thickness
- screwdriver, middle size
- MAY- setup aid (art. no. 352040) or a chair
- soft mat / carpet
- MAY protective gloves (supplied)
- torque wrench, 20 Nm, 160 Nm (stainless steel) and 210 Nm (steel), suitable hexagon key, 8 mm and 14 mm
- flat wrench 17 mm
- free-standing double ladder with minimum 4 steps

Only for parasol model Ø 6 m, 12 – segments:

- cordless drill (charged, with spare battery if possible)
- T 30 bit, suitable for the cordless drill

Only in case of theft lock:

- cordless drill (charged, with spare battery if possible)
- centre punch and 200 g hammer
- spiral drill, sizes Ø 5 mm, Ø 8 mm, Ø 11 mm and Ø 12.5 mm

Cleaning:

- broom suitable for cobblestone
- dustpan and brush
- cleansing cloth and CleanoMay (cleaner, art. no. 350848) for aluminium mast (important in case of rain)
- do not use thinner for cleaning
- bear in mind that the packaging must be disposed after assembly



Delivery and Acceptance Certificate

Customer _____

_____ Phone no. _____

MAY order no. _____ Date _____

Type _____ Size, Shape, Segments _____ Quantity of parasols _____

Installation options and art. no. _____ Quantity of accessories _____

The parasol has been assembled as agreed with the technician or dealer, without any visible defects.* If no, what are the defects? yes no

*If the customer insists on using the parasol without formal acceptance, the parasol is considered as accepted.

The customer has been instructed properly according to the operating manual of the parasol. yes no

The customer received following documents:

Installation instructions _____ yes no

Mounting instructions _____ yes no

Other instructions _____ yes no

MAY-dealer, name in block letters Signature Date/place

Customer, name in block letters Signature Date/place

