

Selene

(manual ignition version)

Instructions manual

glamm[®]
fire



Thank you for purchasing a GlammFire product.

In order to activate your 2-year GlammFire warranty, please register your GlammFire product at www.glammfire.com/pt/sobre/garantia or complete your warranty card and send it to us along with a purchase copy, to our address, within 30 days after the purchase.

For more information please Check the *Warranty* chapter.

INDEX

1-Material supplied4

2-Components.....5

3-Important safety information.....6

4-Installation.....8

5-Quartz hat option placement.....13

5-Transportation.....13

6-Gas requirements.....14

7-Assembly.....14

8-Leak test.....15

9-Operating instructions.....16

10-Checklist of problems17

11-Maintenance19

12-General dimensions21

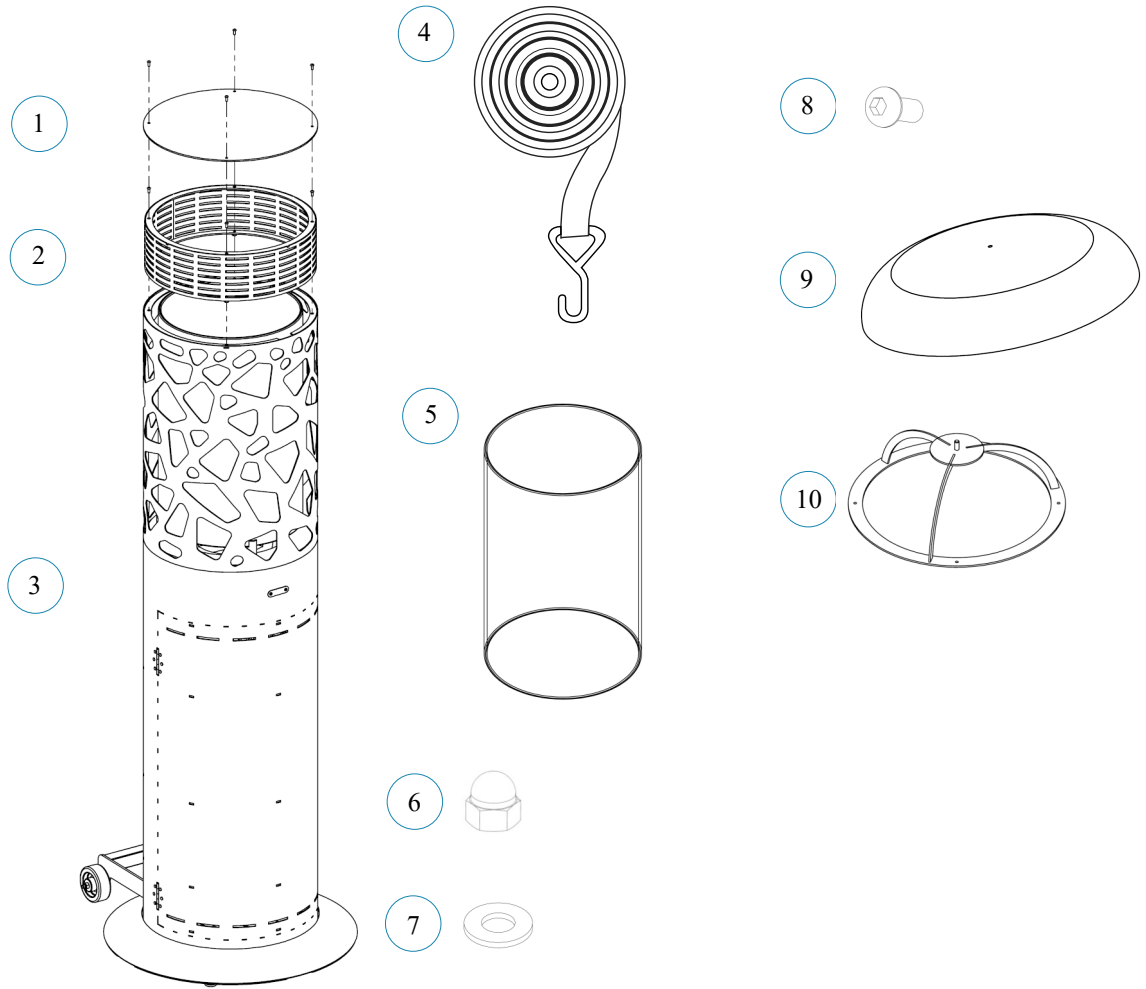
13-Specifications22

14-After-Sales Service.....23

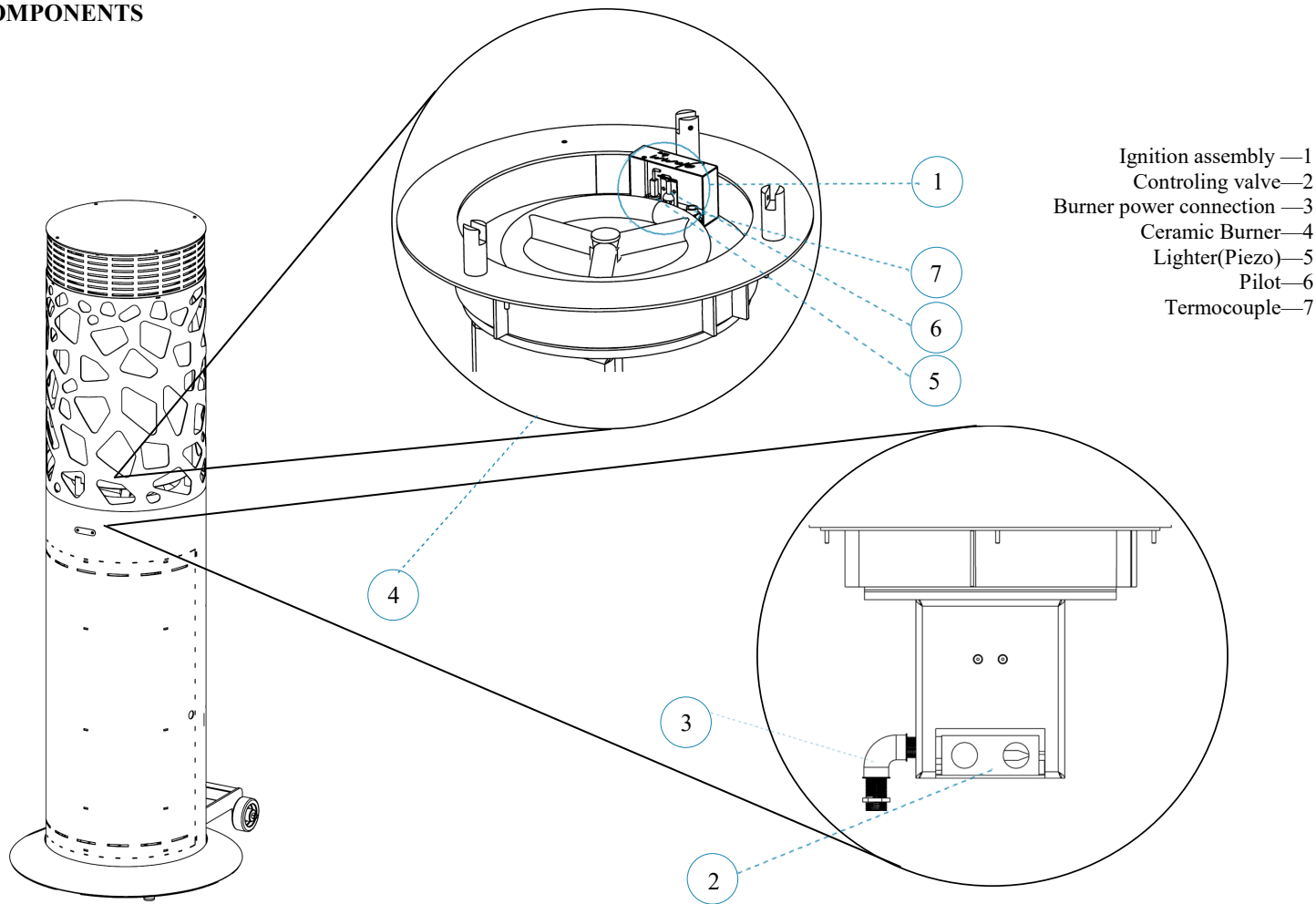
15-Warranty.....23

1-MATERIAL SUPPLIED

- 1—Deflector
- 2—Top part
- 3—Bottom part
- 4—Strap
- 5—Tubular glass
- 6—1x cap nut M8 (optional)
- 7—1x M8 nut
- 8—8x M4 screws
- 9—Quartz Hat (optional)
- 10—Quartz Support (optional)



2-COMPONENTS



3-IMPORTANT SAFETY INFORMATION

PLEASE READ CAREFULLY THE FOLLOWING SAFETY GUIDELINES BEFORE OPERATION

Safety measures

If you smell gas:

- Shut off gas to the appliance.
- Extinguish any open flame.
- If odour continues, immediately call your gas supplier or your fire Department.

Do not store or use gasoline or other flammable vapours and liquids in the vicinity of this or any other appliance.

An LP cylinder not connected for use shall not be stored in the vicinity of this or any other appliance.

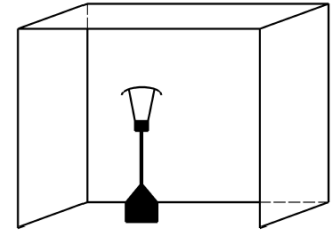


Diagrama.1

WARNING:

Do not use the heater inside, guarantee its use outdoors or in widely ventilated areas, to avoid physical or material damages.

An amply ventilated area must have a minimum of 25% of the surface area open.

The surface area is the sum of the walls surface.

This appliance must be installed and the gas cylinder stored in accordance with the regulations on force.

Do not obstruct ventilation holes of the cylinder housing.

Do not move the appliance in operation or after it has been switched off without cooling.

Shut off the valve at the gas cylinder or the regulator before moving the appliance.

The recommended frequency for checking the hose (at least once a month and at each bottle change) and the need for a regular change if this is indicated on the hose. If it shows signs of cracks, bites or other deterioration it should be replaced with a new flexible tube of the same length and of equivalent quality.

Use only the type of gas and the type of cylinder specified by the manufacturer. The LP tank used with your patio heater must meet the following requirements. Purchase LP tanks only with these required measurements: 310 mm x 595 mm (diameter x height) with the maximum capacity of 13 kg of butane gas or 11 kg of propane gas (13 kg of propane gas in Austria, Germany, Switzerland and Luxembourg).

Use only outdoors or in widely ventilated spaces. (See diagram.1)

In case of strong wind, special attention should be paid against tilting the device.

For a correct use of the appliance, the temperature of the surrounding environment must NOT be less than 0°C.

Do not install in vehicles or pleasure crafts.

Repairs should only be carried out by a qualified technician, using only original parts and always using the technical manual provided by GlammFire.

Improper installation, adjustment, alteration can cause personal injury or property damage.

Do not attempt to alter the unit on any manner.

Never replace or substitute the regulator with any regulator other than the factory-suggested replacement.

The whole gas system, hose, regulator, pilot or burner should be inspected for leaks or damage before use, and at least annually by a qualified service person.

All leak tests should be done with a soap solution. Never use an open flame to check for leaks.

Do not use the heater until all connections have been leak tested.

Turn off the gas valve immediately if smell of gas is detected.

- Turn cylinder valve OFF. If the leak is at the hose/regulator connection: tighten connection and perform another leak test. If bubbles continue appearing should be returned to hose's place of purchase.

- If the leak is at the Regulator/Cylinder valve connection: disconnect, reconnect; and perform another leak check. If you continue to see bubbles after several attempts, cylinder valve is defective and should be returned to cylinder's place of purchase.

Keep the ventilation opening of the cylinder enclosure free and clear of debris.

Do not paint the radiant screen. Control panel or top canopy reflector.

Control compartment, burner and circulation air passageways of the heater must be kept clean.

The LP tank should be disconnected when the heater is not in use.

Check the heater immediately if any of the following occurs:

- The heater does not reach temperature.

- The burner makes popping noise during use (a slight noise is normal when the burner is extinguished).

- Smell of gas conjunction with extreme yellow tipping of the burner flames.

The LP regulator/hose assembly must be located out of pathways where people may trip over it or in area where the hose will not be subject to accidental damage.

Any guard or other protective device removed for servicing the heater must be replaced before operating the heater.

Adults and children should stay from high temperature surface to avoid burns or clothing ignition.

Children should be carefully supervised when they are in the area of the heater.

Clothing or other flammable materials should not be hung on the heater or placed on near the heater.

To change the gas cylinder in a amply ventilated area, away from any ignition source (candle, cigarettes, other flame producing appliances; ...);

To check that the regulator seal is correctly fitted and able to fulfill its function showed as photo right;

If it shows signs of cracking, splitting or other deterioration it shall be exchanged for new hose of the same length and of the equivalent quality;

The use of this appliance in enclosed areas can be dangerous and is PROHIBITED;

Read the instructions before using this appliance. The appliance must be installed in accordance with the instructions and local regulations.

Keep instructions for later reference.

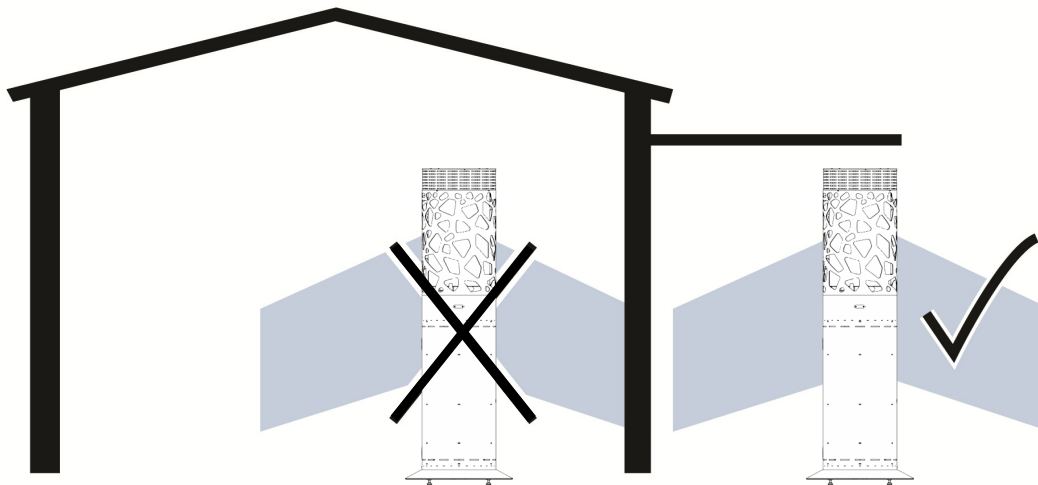
4—INSTALLATION

ATTENTION: All installation procedures must be carried out by a qualified technician.

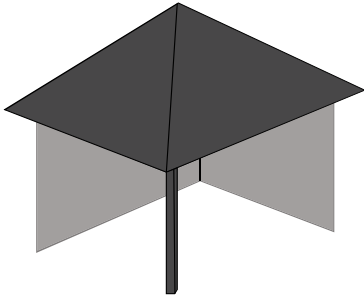
Heater must be placed on level firm ground.

Make sure that the installation follows all local safety and construction norms and regulations.

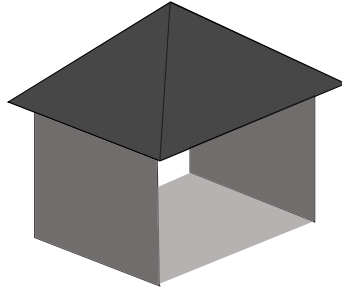
WARNING: Improper installation, adjustment, alteration, repair or maintenance can cause injury or property damage. Please read the installation, operating and maintenance instructions carefully before installing or servicing this equipment.



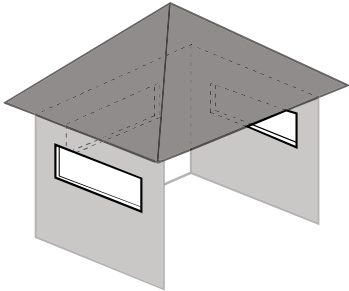
Heater Installation Locations



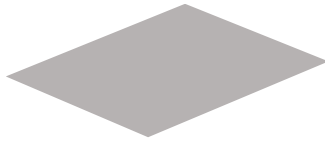
1. Outdoor installation without two adjacent walls.



2. Outdoor installation without two opposite walls.

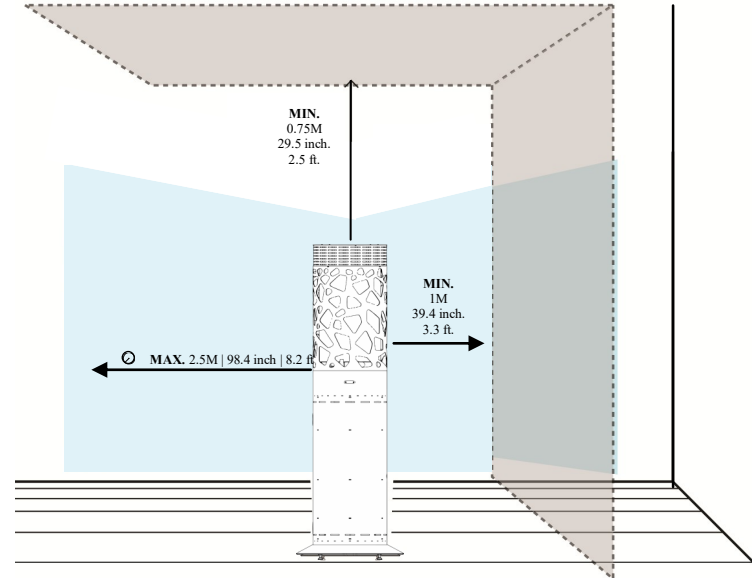


3. Outdoor installation with at least 25% open area.



4. Outdoor installation.

Safety Distances

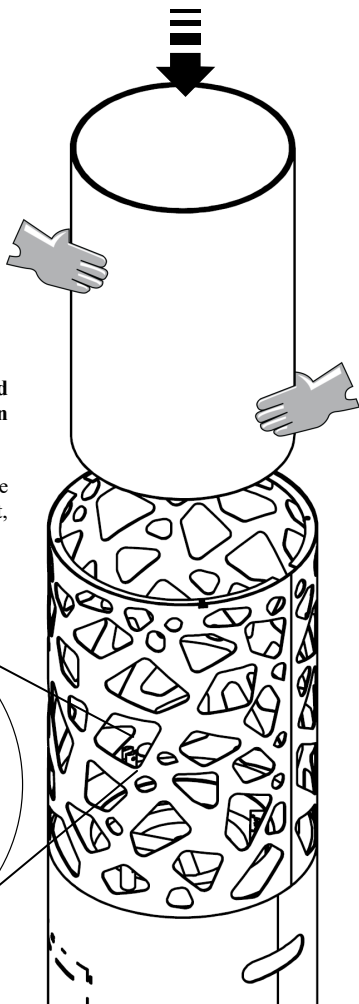
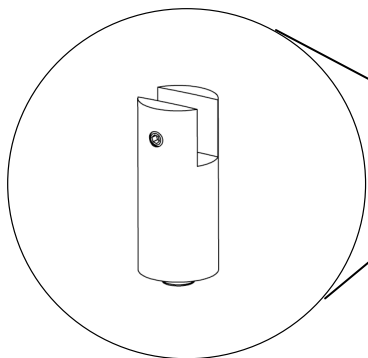


Keep a minimum distance of 1 meter to the side and at least 0.75 meters from the top.
The model heats up around within to a maximum radius of 2.5 meters.

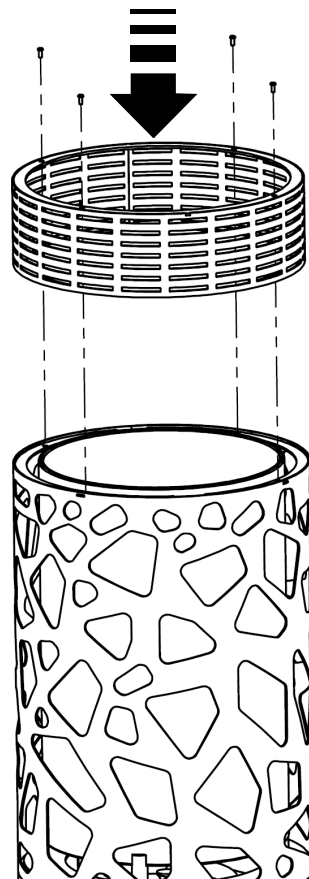
First, place the tubular glass inside the appliance, through the top opening and put down the glass in the support (with glass tape).

The glass should only be tightened lightly, leaving room for the expansion of the glass.

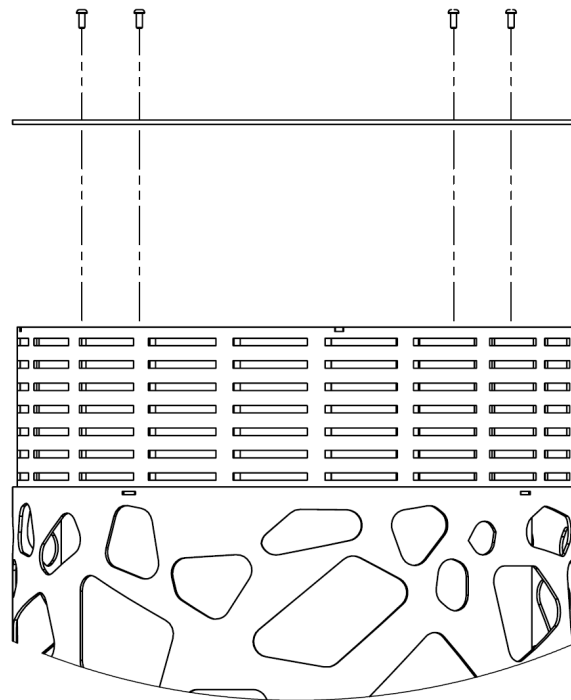
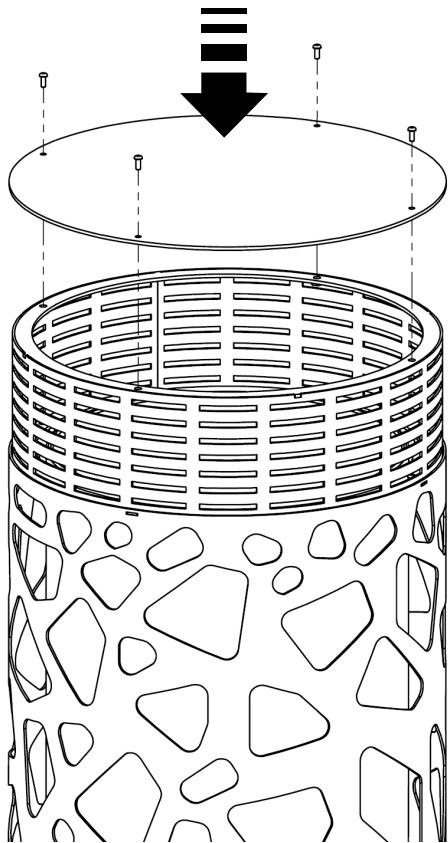
In case you choose to place decorative stones, be careful to place the stones first, and then place the glass.



To fix the protection grid, tighten it with the help of three supplied M4 screws.

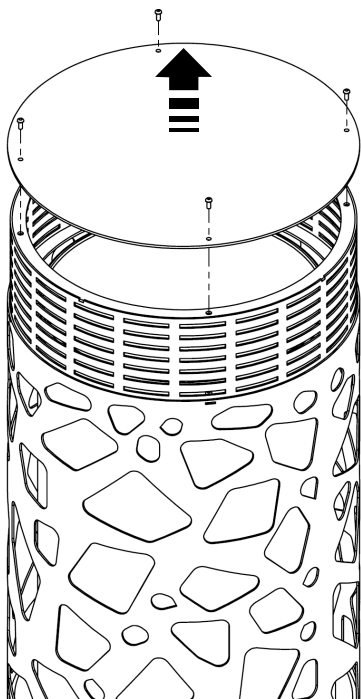


Then place the deflector, as shown in the image below, using four supplied M4 nuts.

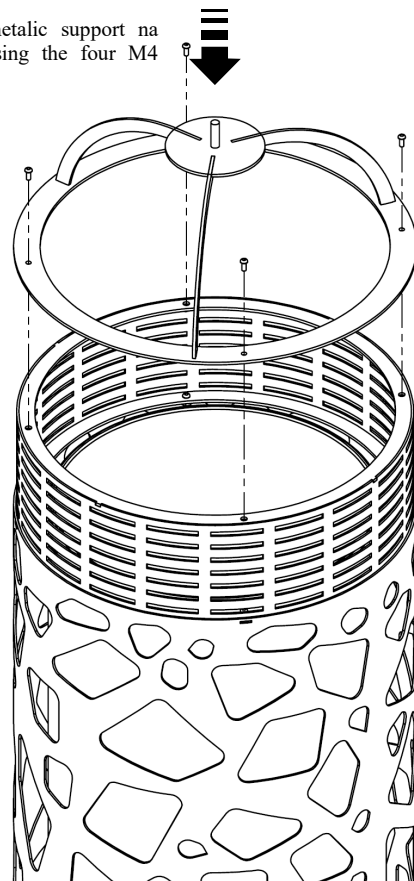


5- QUARTZ HAT OPTION PLACEMENT

Untighten the four M4 screws
and remove the heat deflector



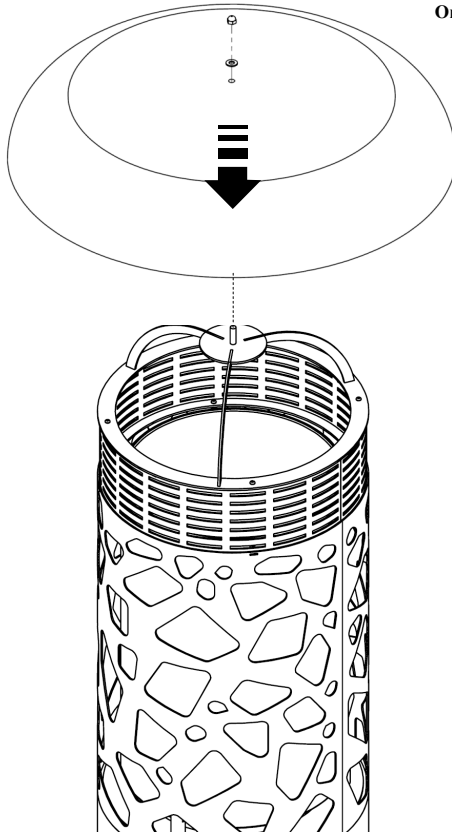
Place the metallic support
tightly using the four M4
screws.



6-TRANSPORTATION

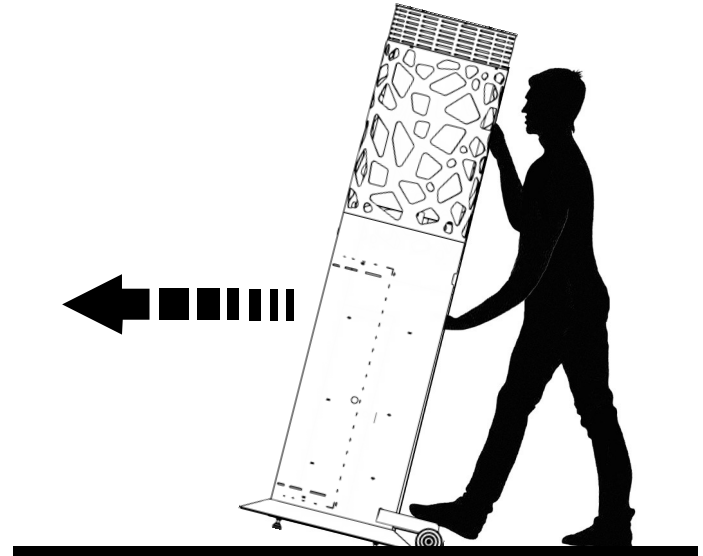
Place the Quartz hat
And tighten it using the M6 cap nut.
(place carefully so that the existing
screw in the support structure
does not damage the hole in the quartz)

**Only lightly screw the cap in the
quartz hat.**



To transport the appliance, tilt it slightly to the side of the wheels. Use
the hole located in the middle of the appliance to place your hand and
assist in the movement, as shown in the image on the side.

*Nota: Always turn off the appliance before transporting it and do not tilt
it more than 45 degrees.*

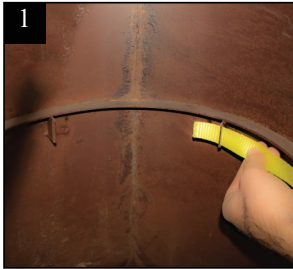


7-GAS REQUIREMENTS

- Use propane, butane or their mixtures gas only.
- The pressure regulator and hose assembly to be used must conform to local standard codes.
- The installation must conform to local codes, or in the absence of local codes, with the standard for the storage and handling of liquid petroleum gases.
- A dented, rusted or damaged tank may be hazardous and should be checked by your tank supplier. Never use a tank with a damaged valve connection.
- The tank must be arranged to provide for vapor withdrawal from the operating cylinder.
- Never connect an unregulated tank to the heater.

8-ASSEMBLY

1. Propane only-proper hose connection. Ensure the hose does not contact any high temperature surfaces, or it may melt and leak causing a fire.
2. After the cylinder is placed inside the heater, secure the cylinder with block belt tightly.
3. Leak Check
4. - A leak test must be performed annually and each time a cylinder is hooked up or if a part of the gas system is replaced.
- Never use an open flame to check for gas leaks. Be certain no sparks or open flames are in the area while you check for leaks. Sparks or open flames will result in a fire or explosion, damage to property, serious injury, or death.
5. To protect heater from strong wind, anchor the base securely to the ground with screws (not supplied).



Esquema de fotos para colocação da cinta e da botija de gás.

9-LEAK TEST

- This must be before initial use, annually, and whenever any gas Components are replaced or serviced. Do not smoke while performing this test, and remove all sources of ignition. See Leak Testing. Diagram for areas to check. Turn all burner controls to the off position. Turn gas supply valve on.
- Brush a half-and-half solution of liquid soap and water onto all joints and connections of the regulator, hose, manifolds and valves.
- Bubbles will indicate a gas leak. Either tighten the loose joint or have the part replaced with one recommended by the Customer Care department and have the patio heater inspected by a certified gas installer.
- If the leak cannot be stopped, immediately shut off the gas supply, disconnect it, and have the patio heater inspected by a certified gas installer or dealer. Do not use the patio heater until the leak has been corrected.

If you need more information about installing your Selene, please contact an Official GlammFire Retailer.
To find a GlammFire Official Retailer, please visit:
www.glammfire.com

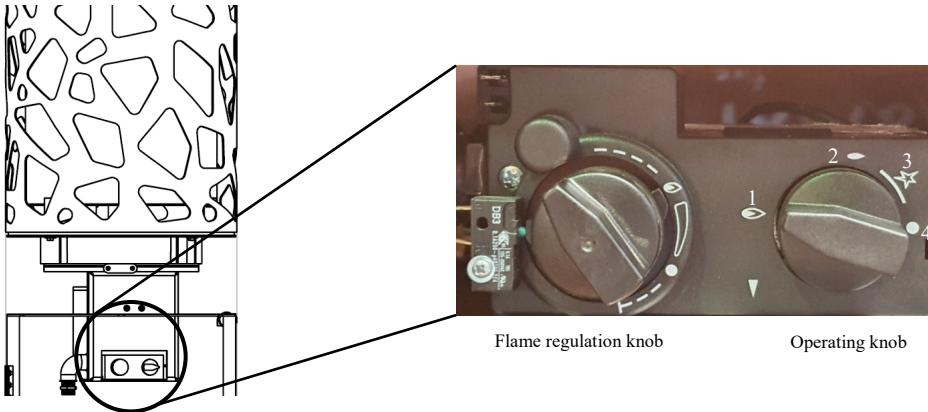
10-OPERATION INSTRUCTIONS

1-Turn operating knob slightly counter-clockwise towards the ignition position until reaching stop, push down and hold for 5 seconds (gas flows only to the pilot burner);

2-Continue pressing down while turning further counter-clockwise to the PILOT position to activate the piezo igniter, continue to hold down for 10 seconds after pilot burner has been lit. (If pilot does not light, the procedure may be immediately repeated while holding the knob down);

3-Upon lighting, release knob and further counter-clockwise to the ON position. Both pilot and main gas flow

4-To decrease the flame intensity turn the knob clockwise. To increase the flame intensity turn the knob counter-clockwise.



- 1- ON position
- 2- Pilot position
- 3- Ignition position
- 4- OFF position

10.1-TURN OFF

1- Turn the operation knob slightly clockwise towards PILOT position. Mains gas will be off.

2- Press down slightly and continue turning clockwise from PILOT position to the OFF position to shut off the pilot gas.

11-CHECKLIST OF PROBLEMS

PROBLEM	CAUSE OF THE PROBLEM	SOLUTION
Pilot does not turn on	Gas valve may be OFF	Turn on the gas valve
	Empty gas bottle	Change gas bottle
	Opening blocked	Clean or replace opening
	Air in the supply system	Purge air (action to be performed by a technician)
	Loose connections	Verificar as ligações
Pilot does not stay lit	Dirt around the pilot	Clean dirty area
	Loose connections	Check connections
	Defective thermocouple	Replace thermocouple
	Gas leak	Check connections
	Lack of fuel pressure	Bottle almost empty. Change bottle.

The Burner does not turn on	Closed gas valve	Turn on the gas valve
	Low pressure	Bottle almost empty. Change bottle.
	Locked burner gas outputs	Clean or unblock burner gas outlets
	Defective thermocouple	Contact retailer
	Pilot light assembly bent	Place pilot properly
	Not in correct location	Position properly and retry
Glass tube breaking*	Excessive thermal shock	Substitute the glass tube
	Cleaning with unsuitable accessories	Substitute the glass tube
	Accidental fall of the appliance	Substitute the glass tube

*The glass tube has particular characteristics and such as to allow the thermal shock resistance due to normal temperature changes, rain or moisture. Nevertheless, this material “borosilicate” can break as a result of sudden changes in temperature.

The breaking of the glass (spall) does not produce damage to people, animals or objects that are close to the appliance.

The breaking of the glass tube does not affect the correct operation of the device, but it is advisable to be replaced as soon as possible.

12—MAINTENANCE

ATTENTION: All maintenance procedures must be performed by a properly qualified technician.

If something is spilled on the appliance, turn it off immediately and wait for its cooling before cleaning it. Never use scouring powder, aggressive cleaners or fire polish products on the gas fire. Use only a dry lint free cloth.

12.1 -Weekly Maintenance

When the appliance is frequently used, clean the combustion area and stones weekly, so it does not accumulate any kind of residue or soot.

12.2 - Annual Maintenance

It is essential to keep the appliance, full concentric flue system (where possible) and the outlets completely cleaned. They should be inspected annually by a recognized fitter/gas specialist.

The safe operation of the appliance will thus guaranteed.

12.3-Storage

Always close the gas valve of the gas cylinder after use or in case of disturbance.

Remove the pressure regulator and the hose.

Check the tightness of the gas valve and for damage. If you suspect a damage, have it changed by your gas dealer.

Never store liquid gas cylinder in a sub-terrain, or at places without adequate air ventilation.

12.4-Cleaning and care

Wipe off powder coated surfaces with soft, moist rag.

Do not clean heater with cleaners that are combustible or corrosive.

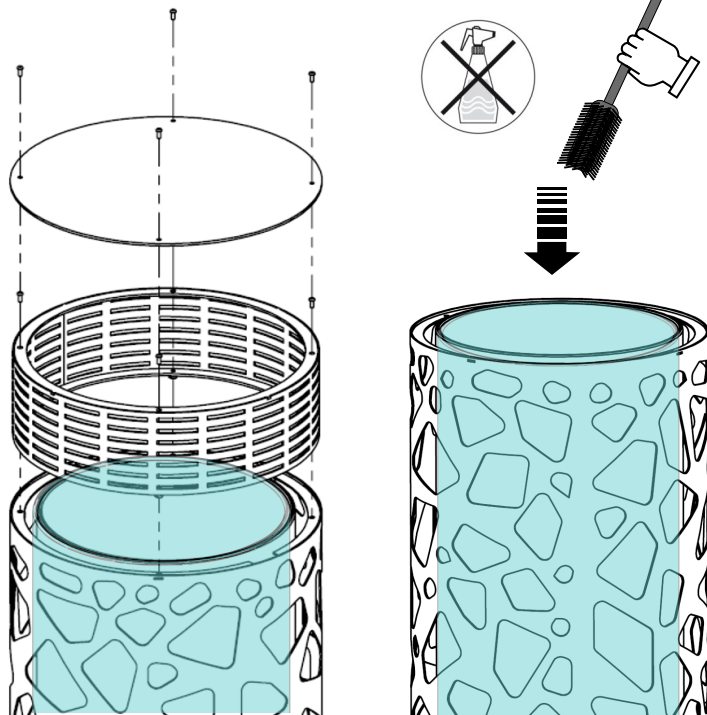
Remove debris from the burner to keep it clean and safe for use.

Cover the burner unit with the optional protective cover when the heater is not in use.

For the Quartz hat (optional) cleaning, use a humid towel, or you can use a chimney detergent to aid the process.

Always do the quartz cleaning when it is in a cold state.

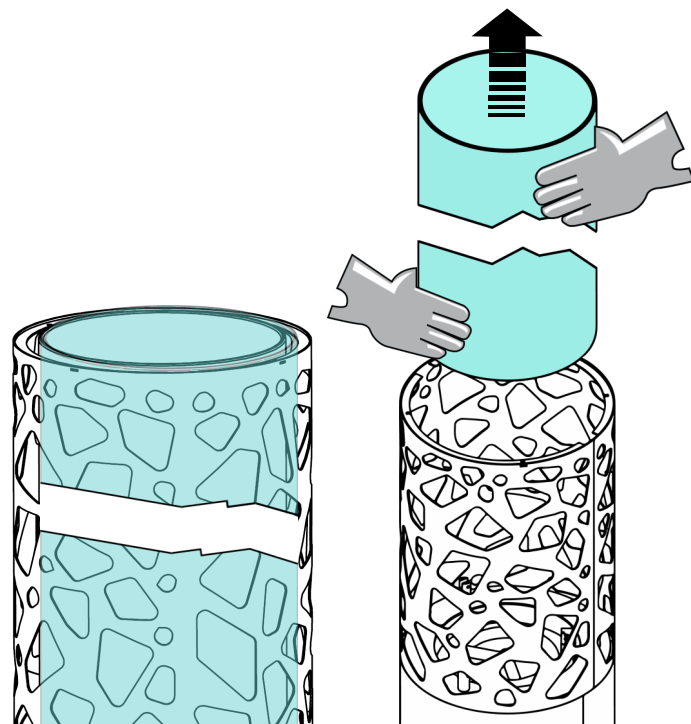
Glass cleaning



To clean the tubular glass, you must remove the upper assembly (deflector, heat diffuser, fixing ring and protection grille). In order to do this, consult the assembly chapter of this assembly and in this case the opposite must be done.

After removing the components, clean the glass with a tubular glass cleaning brush. Finally and after the glass cleaning is completed, place the removed components in the model.

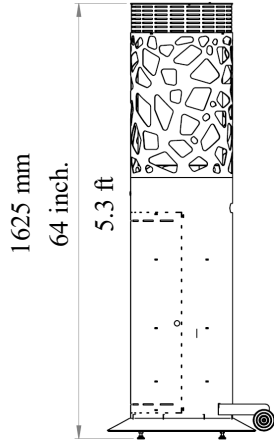
Broken glass replacement



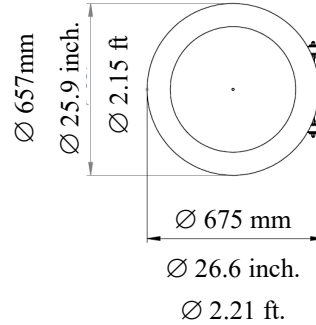
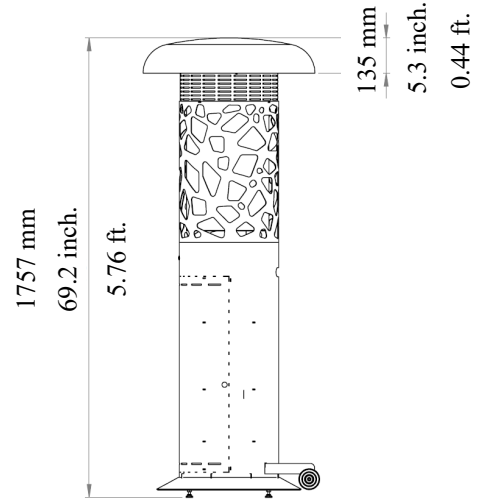
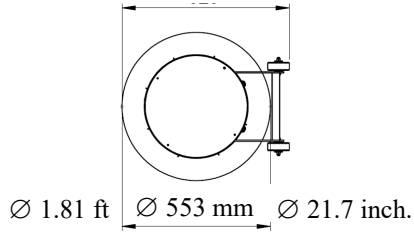
To replace the broken tubular glass it is necessary to proceed as in the cleaning process. So remove the components from the upper assembly (if necessary consult the assembly chapter).

After removing the components, carefully remove the broken glass with protective gloves, replace with the new glass and finally place the removed components in the model.

13-GENERAL DIMENSIONS



2 ft. 623 mm 24.5 inch.



14-SPECIFICATIONS

Transportable terrace/garden heater with tank housing.
Casing in steel with power-coating or in stainless steel.
Heat emission from reflector.

Use propane, butane or their mixtures gas only.

Power max.: 9 kW

Gas rate max: Butane/Propane: 800 g/h

*The specific characteristics of each appliance are indicated on the characteristics label affixed to its technical box.

	Appliance category	I3+(28-30/37)	I3+(28-30/37)	
	Gas Type	Butano	Propano	
	Maximum capacity of the gas bottle (Kg)	13	11	
	INPUT min required:100-240V 50/60 Hz 0,5A			
Gas combustion zone round	Max power (Kw)	9	9	
	Air mixer diam. (mm)	2	2	
	Output pressure Reducer (mbar)	28-30	37	
	Gas rate	800 g/h		
	Combustion system	Open		
	Main burner	Ø 259 mm		
	Gas connection	1/2"		
	Gas combination control - Approvals	Gas Appliances Directive 2009/142/CE DIN EN298 / DIN EN126 / DIN EN13611		

NOTE: It is possible to convert the device category. (Procedure to be performed by a specialized technician).
In case of conversion of the device category, the instructions to change the category will be sent together with the necessary parts.

ACCESSORIES:

The hose and regulator assembly must conform to local standard codes.
Regulator outlet pressure should meet the corresponding appliance category in specification.
The appliance requires approved hose in 0.6m length.

15-After-Sales Service

In case of doubt or any anomaly, do not use the fireplace and please contact a specialized technician.

16-Warranty

All our Bioethanol Fireplaces and Burners, Electric Fireplaces, Fire Pits & Barbecues carry a warranty against defects of manufacture and faulty workmanship for a period of 2 years from the date of purchase.

This warranty does not cover glass replacement, batteries, whose lifespan, regretfully, we cannot predict, damage caused by accident or misuse of the appliance, or the assembly/disassembly not indicated in the instruction manuals. If the product fails during normal and proper use (not considering the above mentioned events) within the warranty period, GlammFire will replace the product free of charge.

Our warranty is offered as an addition to your statutory rights. It is applicable to the original purchaser only, non-transferable. All repairs must only be fitted by an authorised service technician. Use of spare parts other than those supplied by the manufacturer will void the appliance warranty and must only be fitted by an authorised service technician.

The GlammFire is always concerned with the environment. This is reflected when the projection of their products and their packaging. Focusing on the reduction of energy consumption, raw materials, natural resources and quantity of waste generated, GlammFire follows the policy of the 4R's (Reduce, Reuse, Recycle and Recover). Thus GlammFire have in mind the use of long lasting products as well as reusable and recyclable products.

The GlammFire recommend reusing the packaging GlammFire separately and deposit plastic, paper, cardboard and glass in the appropriate collection point.

"In nature nothing is created, nothing is lost, everything is transformed."

Antoine Laurent de Lavoisier

GlammFire fireplaces are manufactured under the strict Standard of the world recognized ISO 9001:2008 Quality Assurance Certificate.

GlammFire products are designed with superior components and materials, assembled by trained craftsmen who take great pride in their work.

Once assembled the complete fireplace is thoroughly inspected by a qualified technician before packaging to ensure that you, the customer, receive the quality product that you expect from GlammFire.

IMPORTANT:The installation or use of the appliance in a manner different from that described in this manual eliminates any liability on the part of the manufacturer for possible damage to the equipment, installation or surroundings.

In the event that the consumer wishes to install the device in a way that is not explained in this manual, the consumer is responsible for presenting the installation project to GlammFire and for obtaining its approval. GlammFire shall also ensure that the approved project is strictly followed and GlammFire shall not be liable in the event of inadvertent installation or use."

glamm[®]
fire



Glamfire

Recuperadores Pachinha, Lda.

Zona Industrial da Lagoa, Lote G1

Rua da Suíça, nº 213 | 4950-850

Monção | Portugal

info@glammfire.com

Tel. (+351) 251 654 800 | F. +351 251 654 801

www.glammfire.com



/ *glammfire*