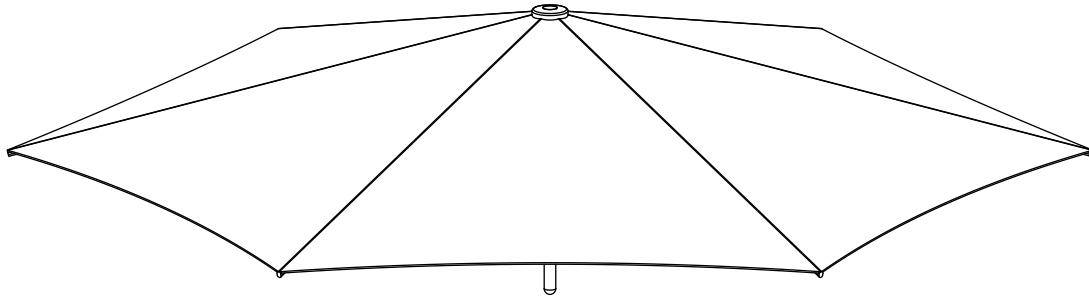


UMBROSA

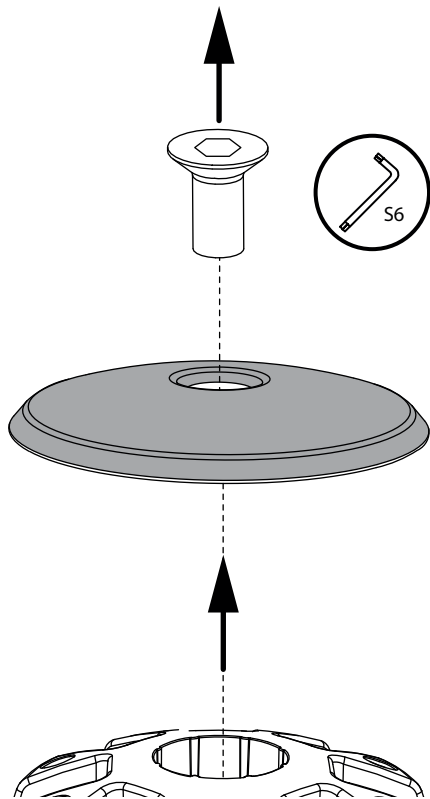
UNIQUE SHADE DESIGN



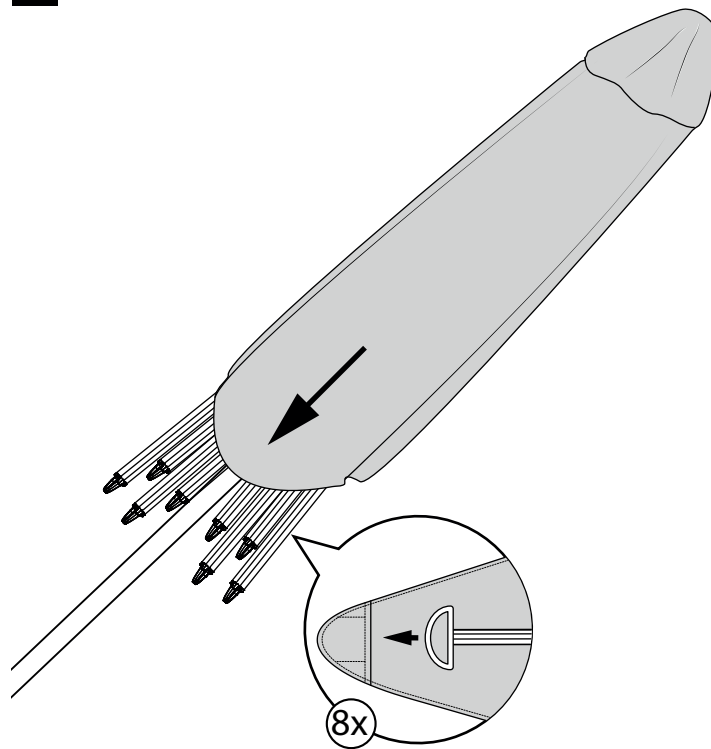
PARAFLEX CANOPY INSTALLATION

PARAFLEX CANOPY INSTALLATION

1



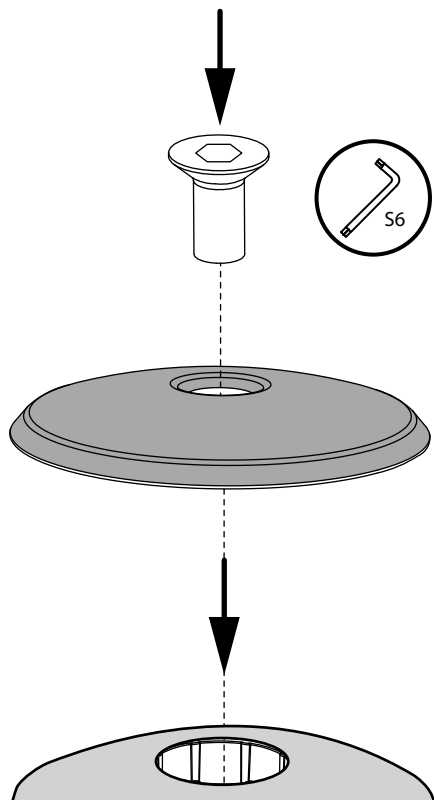
2



PARAFLEX CANOPY INSTALLATION



3



UMBROSA

UNIQUE SHADE DESIGN

The content of this document, in particular the mentioned models, is protected by copyrights and/or design rights. The present document and its content is communicated to you for information purposes only. Any partial or total reproduction or any other use without our prior written permission is strictly prohibited. This technical sheet remains subject to possible changes. Of course we do our best to eliminate all mistakes, but Umbrosa is not responsible for the errors in the documentation of products. All measurements are approximate and are provided for informational purposes only.

Beversesteenweg 565 B, 8800 Roeselare, Belgium.
T: +32 51 30.22.60 | F: +32 51 30.22.62 | E: info@umbrosa.com | www.umbrosa.com

Version 180227