



glamm®
fire

Instructions manual

LA BOHÈME I/II

Thank you for purchasing a GlammFire product.

To activate your GlammFire 2 years warranty, please register your product at www.glammfire.com/about/guarantee or complete your warranty card and send it to us, along with a purchase copy, to our address within 30 days after the purchase.

For more information check the Warranty chapter.

INDEX

1—Supplied Material.....	4
1.1—La Bohème I with charcoal grill.....	4
1.2—La Bohème I with charcoal grill and gas hob.....	4
1.3—La Bohème I with gas oven.....	5
1.4—La Bohème I with the gas oven and gas hob.....	5
1.5—La Bohème I with gas grill.....	6
1.6—La Bohème I with gas grill and gas hob.....	6
1.7—Other options.....	7
2—Components.....	7
3—Safety Instructions.....	8
3.1—Ventilation.....	8
3.2—Special precautions.....	8
4—Fuel.....	10
4.1—Charcoal.....	10
4.2—Gas.....	10
5—Installation.....	11
5.1—Flammable materials.....	11
5.2—Materials: stone/metal/ceramics.....	11
5.3—Other non-flammable materials.....	11
5.4—Installation Procedures.....	12
5.5—Tap and siphon installation.....	13
5.6—Charcoal grill installation.....	14
5.7—Gas grill/ gas oven installation.....	15
5.8—Gas hob installation.....	16
5.9—Black mirror on cover installation(Optional).....	17
5.10—Side glasses installation.....	22
5.11—La Bohème II installation.....	24
6—Maintenance.....	28
7—Overall Dimensions.....	29
8—Specifications.....	29
9—After-Sale Service.....	30
10—Warranty.....	30

Please read this Instructions Manual carefully before using your device. It contains important installation, utilization and maintenance guidelines, that should be followed correctly, in order to ensure a durable use of your exclusive barbecue.

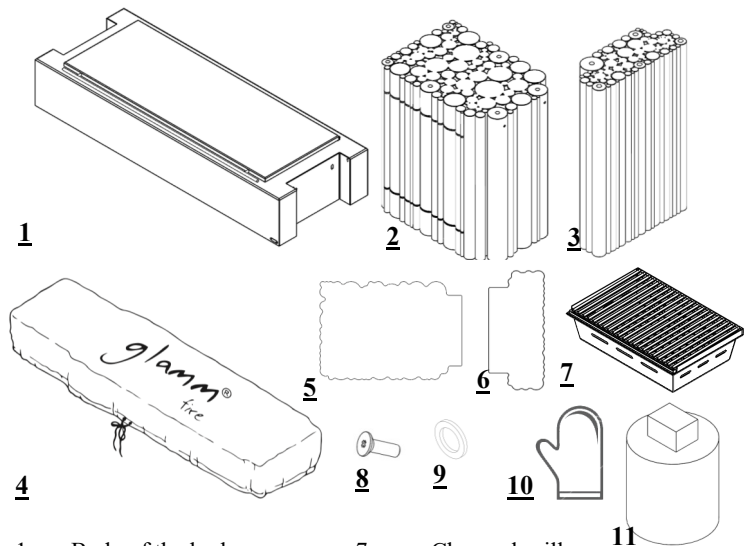
All present warnings and cautions must be respected.

Keep this manual for future reference.

This Instruction Manual is subject to change without notice.

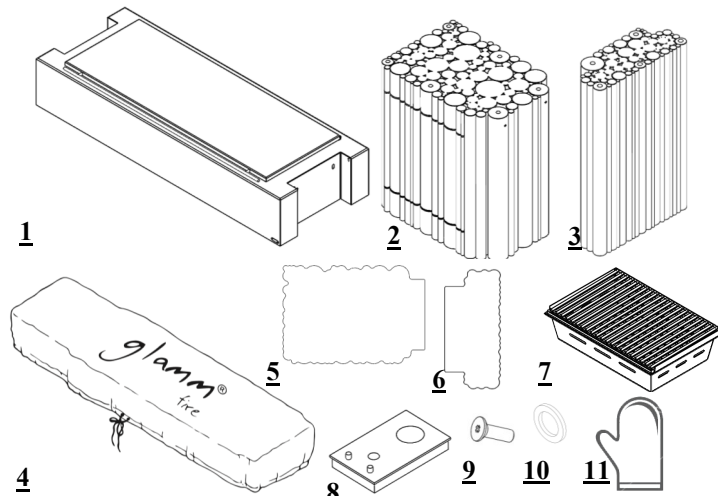
1—Supplied Material

1.1. La Boheme I with charcoal grill



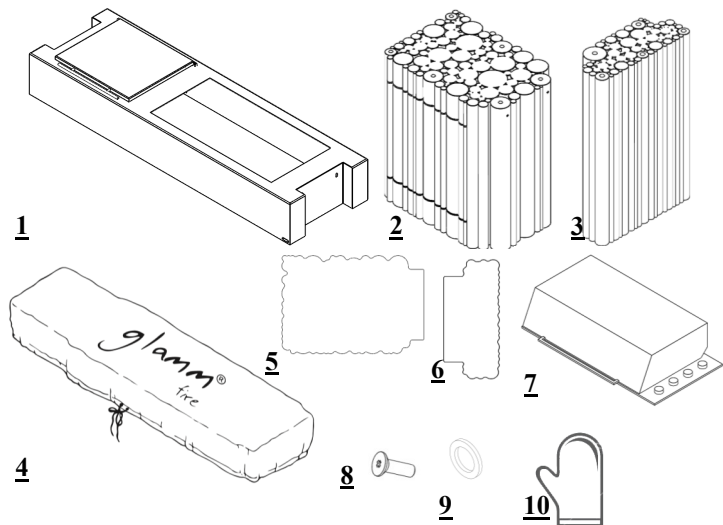
- | | |
|--------------------------------|---------------------|
| 1. Body of the barbecue; | 7. Charcoal grill; |
| 2. Large lateral foot Left; | 8. 4xScrews; |
| 3. Smaller lateral foot Right; | 9. 4xWashers; |
| 4. Protection cover; | 10. Handle; |
| 5. Left side glass; | 11. Vacuum cleaner. |
| 6. Right side glass; | |

1.2. La Boheme I with charcoal grill and gas hob



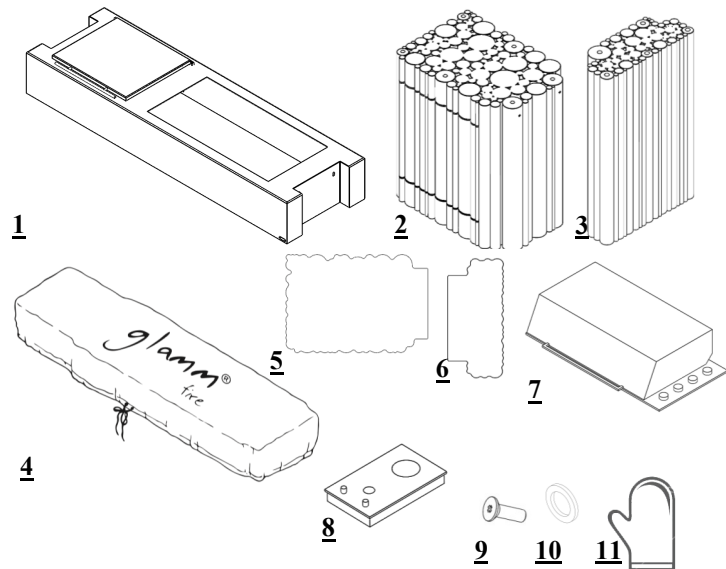
- | | |
|--------------------------------|---------------------|
| 1. Body of the barbecue; | 7. Charcoal grill; |
| 2. Large lateral foot Left; | 8. Gas hob; |
| 3. Smaller lateral foot Right; | 9. 4xScrews; |
| 4. Protection cover; | 10. 4xWashers; |
| 5. Left side glass; | 11. Handle; |
| 6. Right side glass; | 12. Vacuum cleaner. |

1.3. La Boheme I with gas oven



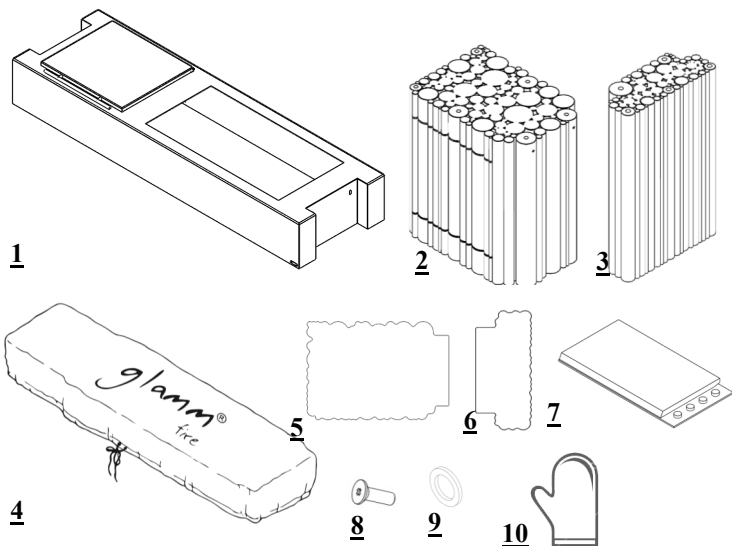
- | | |
|--------------------------------|---------------|
| 1. Body of the barbecue; | 7. Gas oven; |
| 2. Large lateral foot Left; | 8. 4xScrews; |
| 3. Smaller lateral foot Right; | 9. 4xWashers; |
| 4. Protection cover; | 10. Handle. |
| 5. Left side glass; | |
| 6. Right side glass; | |

1.4. La Boheme I with gas oven and gas hob



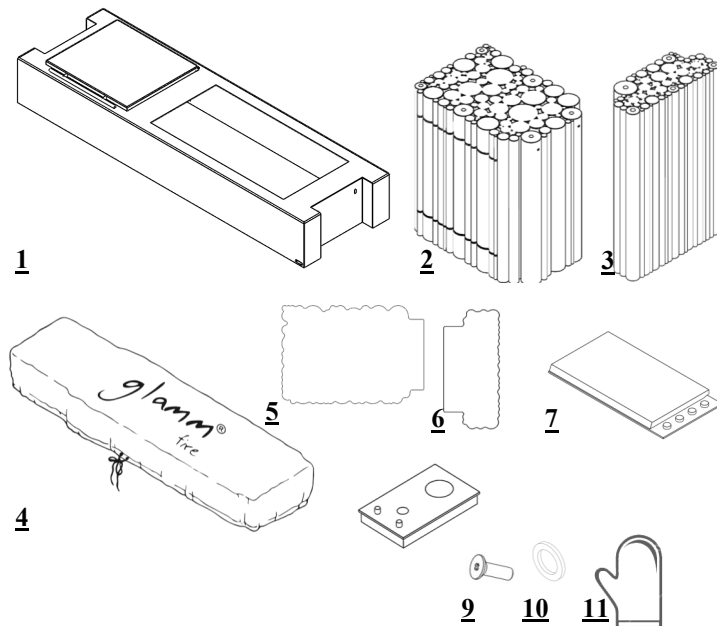
- | | |
|--------------------------------|----------------|
| 1. Body of the barbecue; | 7. Gas oven; |
| 2. Large lateral foot Left; | 8. Gas hob; |
| 3. Smaller lateral foot Right; | 9. 4xScrews; |
| 4. Protection cover; | 10. 4xWashers; |
| 5. Left side glass; | 11. Handle. |
| 6. Right side glass; | |

1.5. La Boheme I with gas grill



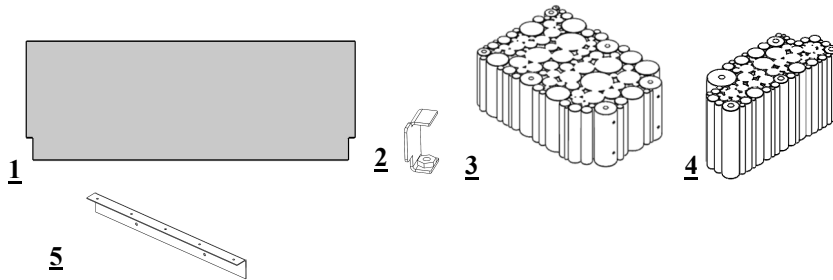
- | | |
|--------------------------------|---------------|
| 1. Body of the barbecue; | 7. Gas grill; |
| 2. Large lateral foot Left; | 8. 4xScrews; |
| 3. Smaller lateral foot Right; | 9. 4xWashers; |
| 4. Protectio cover; | 10. Handle. |
| 5. Left side glass; | |
| 6. Right side glass; | |

1.6. La Boheme I with gas grill and gas hob



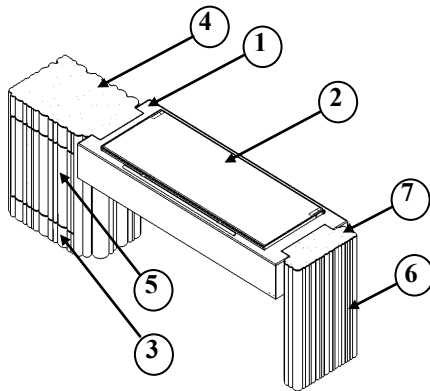
- | | |
|--------------------------------|----------------|
| 1. Body of the barbecue; | 7. Gas grill; |
| 2. Large lateral foot Left; | 8. Gas hob; |
| 3. Smaller lateral foot Right; | 9. 4xScrews; |
| 4. Left side glass; | 10. 4xWashers; |
| 5. Right side glass; | 11. Handle; |

1.7. Other options:



1. Black mirror (Optional);
2. Black mirror fixing part;
3. Larger lateral foot Left La Bohème II;
4. Smaller lateral foot Right La Bohème II;
5. Support rail La Bohème II;
6. Screws, washers and nuts.

2—Components



1. Body;
2. Cover;
3. Left side piece;
4. Left side glass;
5. Storage door;
6. Right side piece;
7. Right side glass.

3—Safety Instructions

3.1—Ventilation

It is recommended that you keep a good ventilation of the area, in order to ensure a healthy level of oxygen.

Ensure the device is only used outdoors.

3.2—Special precautions:

GlammFire is concerned about your safety, therefore we have taken all necessary consideration for conception, fabrication, assembly and transport, to ensure perfect functioning.

We therefore ask you to thoroughly follow our instructions for assembly, use and maintenance.

- While the Barbecue is on keep it under supervision;
- Keep children and animals away from the Barbecue. Children do not recognize danger. Therefore make sure children are kept at a safe distance; Keep children under surveillance while the device is on;
- DON'T use the barbecue for indoors heating. Carbon monoxide fumes are toxic and may cause asphyxiation;
- Make sure the barbecue is installed on a levelled and fire-proof surface;
- Before using the barbecue make sure every part is correctly installed and accordingly tight;
- The barbecue is not a device for commercial use;
- The barbecue should NOT be used on boats or other vehicles;
- Always pay attention to local, state and national legislation when using the GlammFire barbecue. Contact local fire department for details on this type of device usage;
- **Attention:** While functioning the GlammFire barbecue may reach extremely high temperatures, on combustion zone and it's surrounding perimeter. Do NOT touch it. Potential contact areas with skin may cause severe burns;
- In case of fire use a fire blanket;
- Do NOT use water to extinguish the flame;

- Do NOT use chemicals to clean the barbecue, they might damage the materials. In case of doubt contact the retailer;
- Do NOT try to move the device while it's on;
- Do NOT use loose or flammable clothing while using the GlammFire barbecue, this situation might be dangerous to the user;
- Do NOT use the GlammFire barbecue under dangerous circumstances;
- Do NOT store or use gasoline or any other flammable vapours or liquids near the GlammFire barbecue;
- Do NOT use the GlammFire barbecue near automobiles, trucks, recreational vehicles or any other sort of vehicle;
- NEVER ignite the barbecue with gasoline or any other flammable liquid;
- Make sure the GlammFire barbecue cools down completely before proceeding to it's cleaning;
- Only use certified firelights for flame ignition;
- It is totally unadvised the utilization of the GlammFire barbecue after or during the ingestion of alcoholic beverages or medication that might harm the user's visual or intellectual capacity;
- Always use appropriate tools to handle (add or move) wood and embers;
- Do NOT add flammable material in excess, only use the advised in the utilization chapter;
- While igniting and even during the functioning of the GlammFire barbecue never lean over the combustion zone;
- The GlammFire barbecue must be regularly thoroughly inspected and clean. Read the maintenance chapter of this manual;
- After a period of storage and/or non-usage check the conditions of the GlammFire barbecue and don't use it until confirmation that it is clean and in perfect use conditions.

4—Fuel

The right fuel

4.1—Charcoal

The La Bohème barbecue with charcoal grill option is designed to work with wood coal other fuels are not recommended.

It's unadvised the utilization of other flammable fuels;

Note: Do NOT burn newspapers, cardboard, magazines, etc. A barbecue is not an incinerator.

4.2—Gas

The La Bohème barbecue with gas grill and oven and/or gas hob use components from BeefEater, every step and guideline regarding instructions of fuel to be used are described by the brand on the manual that goes along every equipment shipped with the barbecue;

5. Installation

5.1—Flammable materials

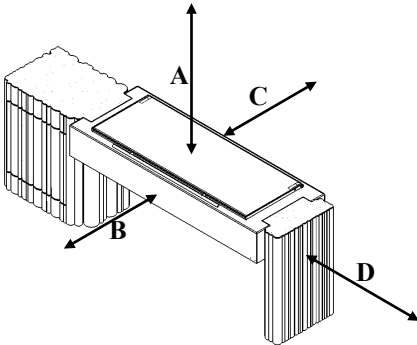
- Do NOT place flammable materials near the barbecue within 5 meter radius;
- Trees and bushes as well as any other kind of vegetation should be at a 10 meters distance from the combustion zone.

5.2—Materials: stone/metal/ceramics

- A - 1000 mm;
- B - 1500 mm;
- C - 0 mm;
- D - 500 mm;

5.3—Other non-flammable materials

- A - 1500 mm;
- B - 2000 mm;
- C - 0 mm;
- C - 1000mm;



5.4. Installation Procedures

The barbecue should be carefully unpacked, two people are needed (minimum) for the assembly;

Put the side pieces on the levelled and clean floor;

Insert the body of the barbecue on the side pieces grooves; (figure 1 and figure 2).

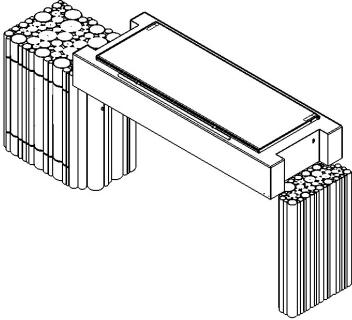


Figure 1—Insert of the body on the side pieces

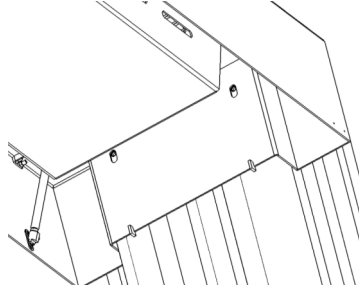


Figure 2—Detail of the insert of the body on the side pieces

Following using the 4 supplied screws, tighten the 3 sets by the inferior part of the barbecue using the holes shown by (E) on the figure 3.

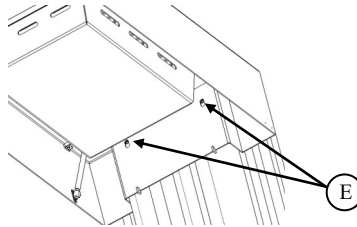


Figure 3: Tightening the screws

5.5. Tap and Siphon Installation

The supplied tap and siphon are pre-installed in the sink, however it is necessary to do water connection to the tap (G) and the plumbing to the siphon (F) (figure 4).

Tap connections can be made through the hole (H) shown in figure 6.

It is necessary plumbing material and a professional plumber.

(F) and (G) should be predicted beforehand (figure 5).

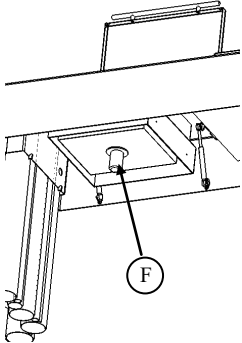


Figura 4— Identification of siphon connection

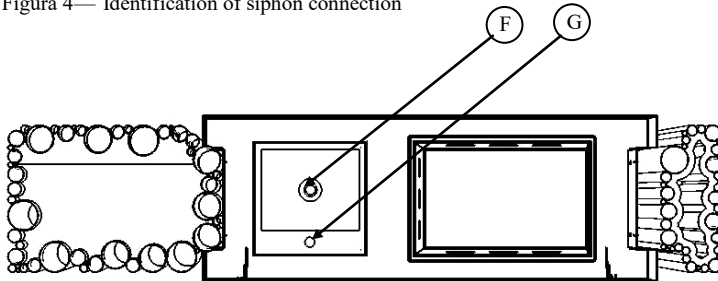


Figura 5— Below view of the barbecue - Connections identification

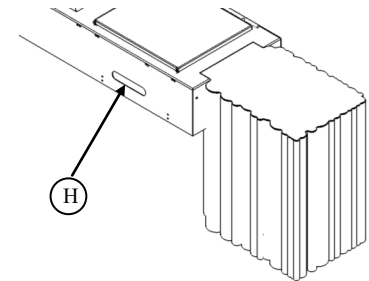


Figura 6—Water connection hole

5.6 Charcoal Grill Installation

Open the barbecue lid and proceed to grill installation.

To insert or remove the charcoal grill insert the components carefully in the order shown in figure 7 and figure 8.

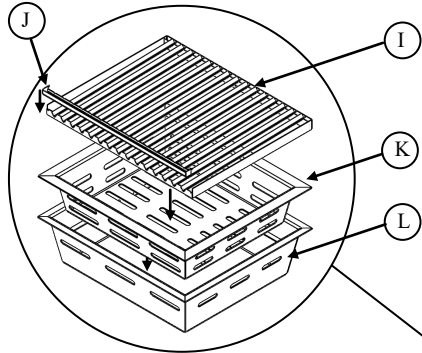


Figure 7—Insert order

- I—Grill
- J—Sauce Cabinet
- K—Combustion compartment
- L—Ash tray

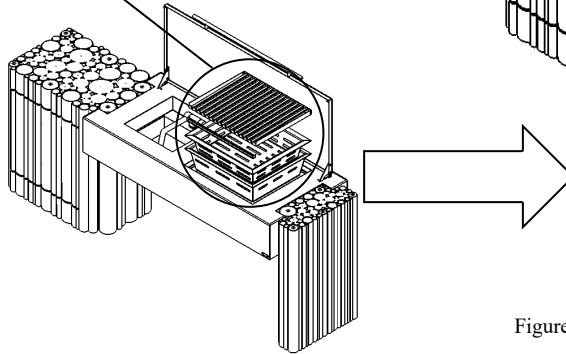


Figure 8—Charcoal grill insert

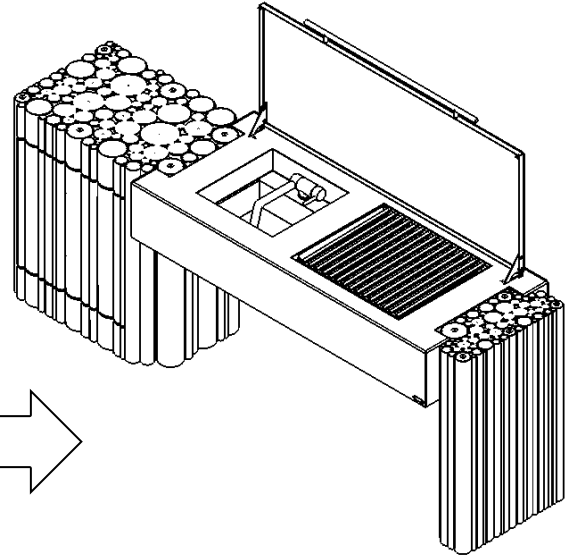


Figure 9—Charcoal grill installation complete.

5.7 Gas grill/gas oven installation

Attention: This option needs previous gas and electric installation on the barbecue installation site.

Regarding the gas supply, the left side door (M) can be used to insert the gas canister if the gas to be used is from canister (figure 10). In case the gas to be used is natural gas or the connection is made behind the equipment it may be performed through the hole (N).

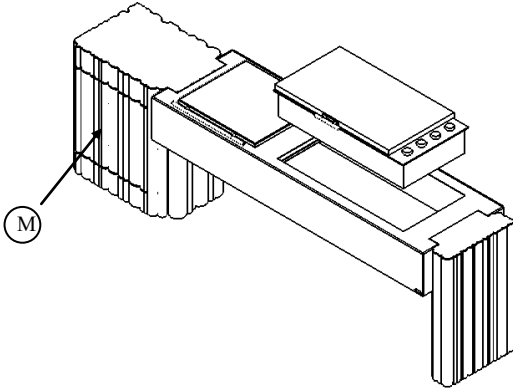


Figure 10—Gas grill with oven installation complete

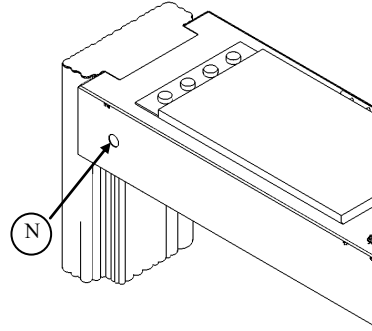


Figure 11—Gas passage hole

All installation, utilization and maintenance details of this option can be found on this equipment's brand user manual supplied with the equipment.

5.8 Gas hob installation

Attention: This option needs previous gas installation on the barbecue installation site.

Regarding the gas supply, the left side door (M) can be used to insert the gas canister if the gas to be used is from canister (figure 12). In case the gas to be used is natural gas or the connection is made behind the equipment it may be performed through the hole (N).

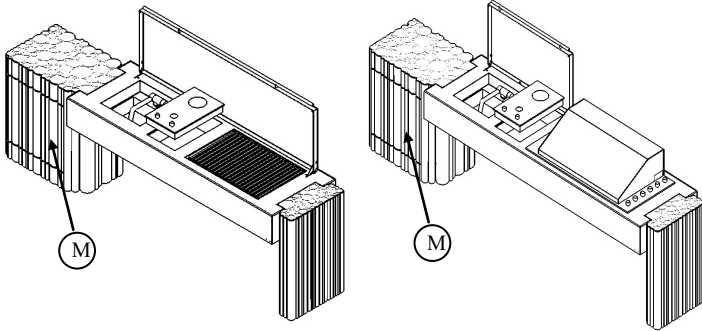


Figure 12—Gas Hob installation complete.

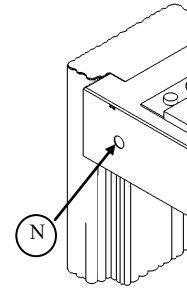


Figure 13—Gas passage hole

All installation, utilization and maintenance details of this option can be found on this equipment's brand user manual supplied with the equipment.

5.9. Installation of black tempered glass on the cover (Optional)

Attention: For this installation two people are needed.

Open the cover, insert the glass into the upper chute (O) (Figure 14 e Figure 14.1), then press the glass fully onto the cover (P) (Figure 14 e Figure 14.2) and slide the mirror into the cover until it clicks into the inferior chute (Q) (Figure 14 e Figure 14.3).

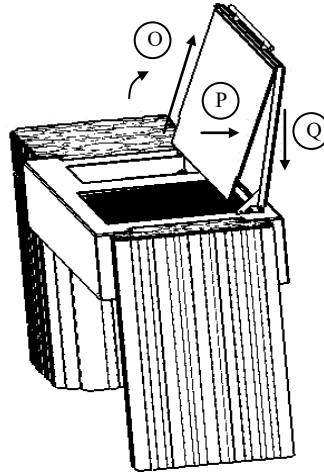


Figure 14: Insert sequence of the mirror in the chutes

5.9.1 Movement (O)

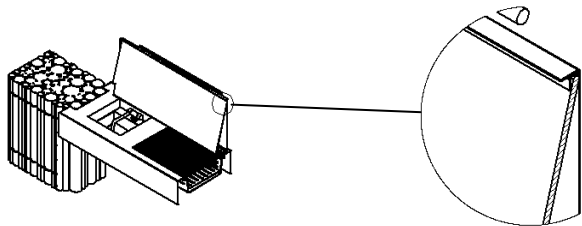


Figure 14.1: Glass insert into the upper chute

5.9.2 Movement (P)

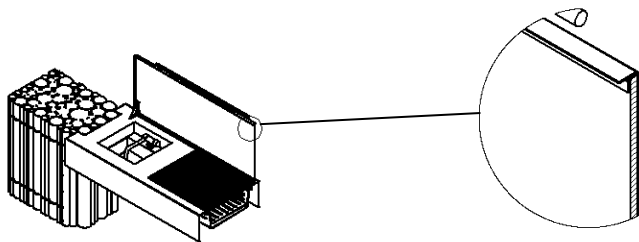


Figure 14.2: Press the glass fully onto the cover

5.9.2 Movement(Q)

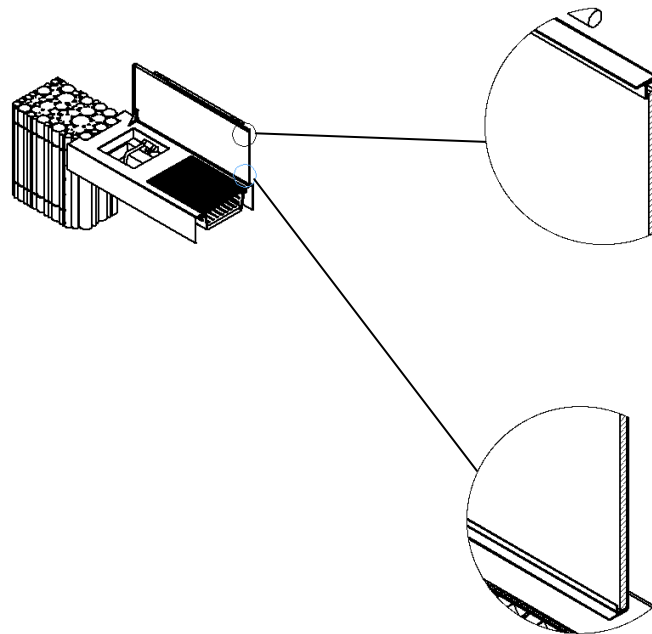


Figure 14.3: Glass insert into the inferior chute

After inserting the black tempered glass into the cover, fix it using the fixing piece supplied (11) (Figure 15 and Figure 16).

Match lid hole (R) with fixing part (11) Figure 17.

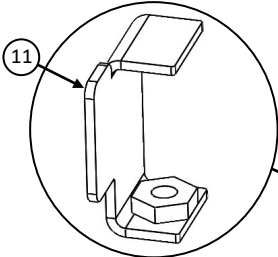


Figura 15: Black glass fixing part (11)

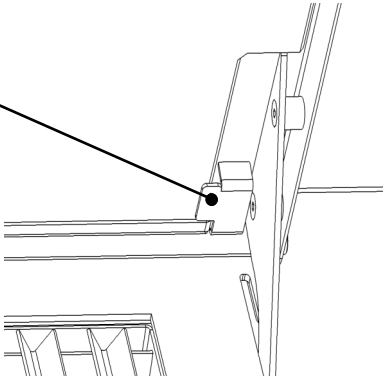


Figura 16: Identification black glass fixing part (11)

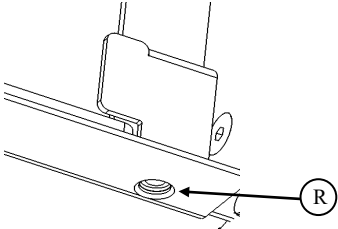


Figura 17: Matching Holes

Then close the grill cover (S) slightly (figure 18) always holding the parts (11) and tightening the screws (12) (figure 19).

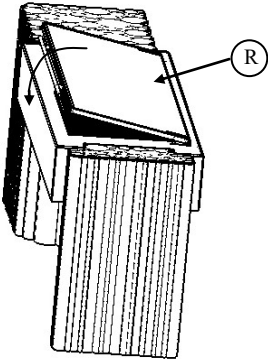


Figure 18:Slightly close the grill cover

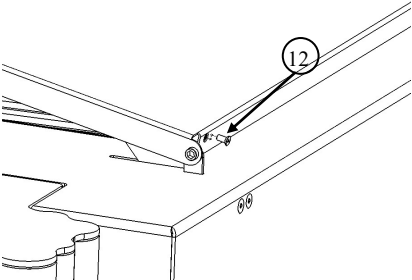


Figure 19: Screw insert (12) on cover and tighten on the black glass fixing part

This way the installation of the optional black tempered glass on the cover is complete (figure 20).

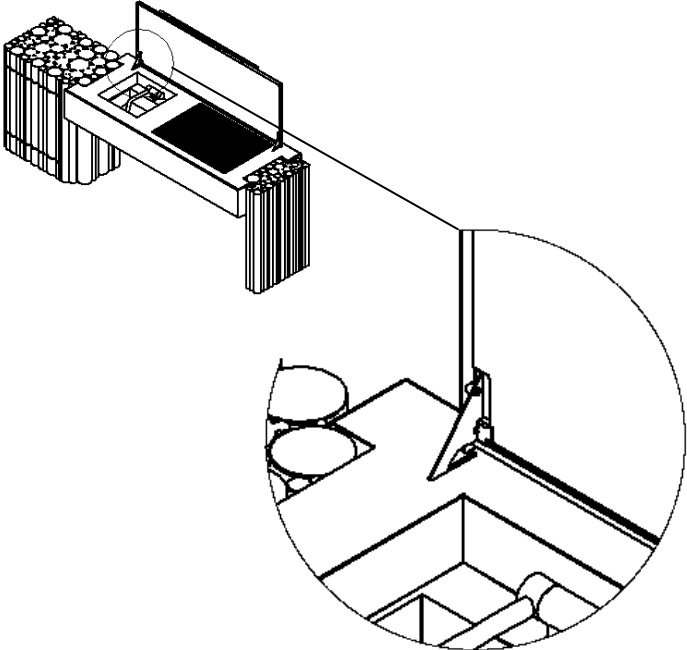


Figure 20:Correct black glass installation detail

5.10. Side Glasses Installation

Make the sure the suction cups installed on the sides of the barbecue are in perfect conditions and well placed.

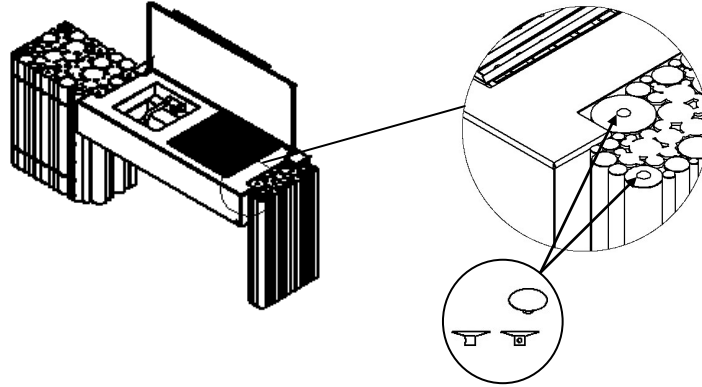


Figure 21:Suction Cup identification

To place the glasses (T) and (U) on the corresponding sides simply lay them gently. Make sure that they are correctly secured to the existing suction cups (figure 22).

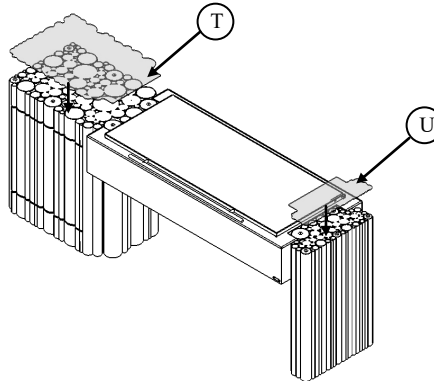


Figure 22:Side Glasses Insert

Check that the glasses when attached to the suction cups are completely in agreement with the outer shapes of the tubes forming the sides of the barbecue (figure 23) and (figure 24).

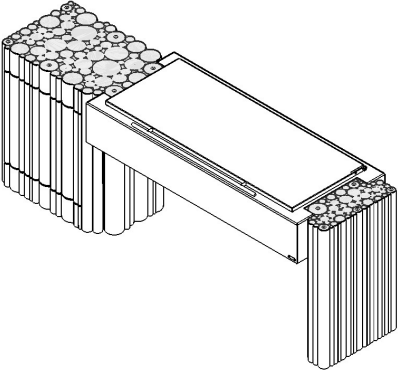


Figure 23:Side glasses installation complete

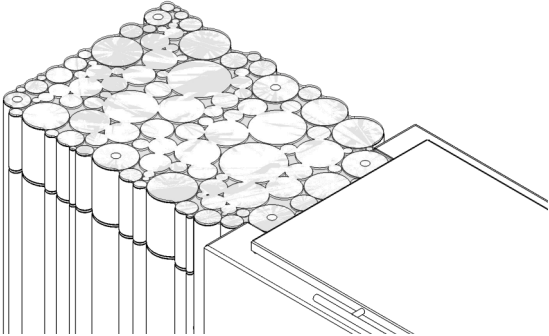


Figure 24: Detail of the correct installation of the side glasses

5.11. La Bohème II Installation

Choose the fixation location of the body of the La Bohème II and make sure it is level.

Drill the hole to be installed by positioning the body and marking the hole manually. Then remove the body and drill the supplied bushings. The installation height of the model is adjustable to the needs of each person.

Place the body matching the hole and tighten with the screws and washers provided.

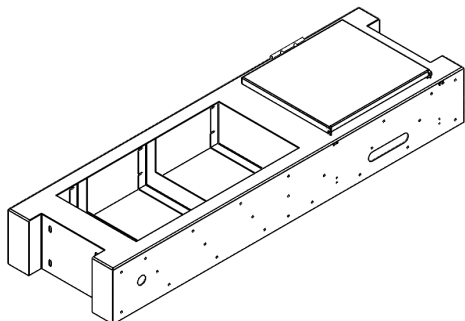


Figure 25: Body La Bohème II

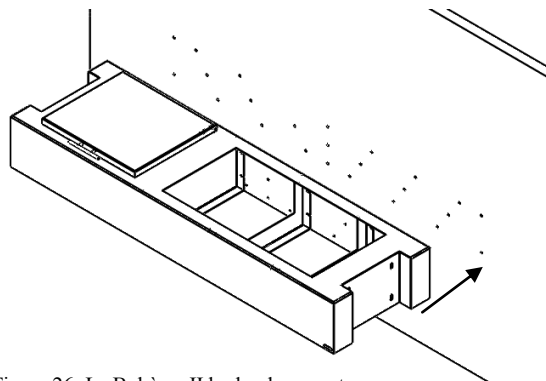


Figure 26: La Bohème II body placement

Check that the body is level and well tight. Fix the left side and tighten it (figure 28) with the screws and washers provided.

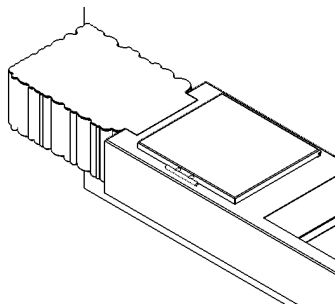


Figure 27: Position on left side

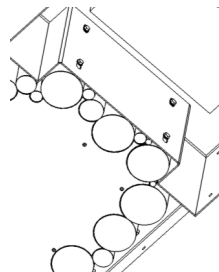


Figure 28: Fixation on left side

With the left side tightened to the body, place the support rail at the bottom and match the left side studs. (figure 30).

With the rail positioned, mark the hole, remove the rail and drill the place to be installed. Then insert the supplied bushings and tighten the chute into the hole made with the supplied nuts.

With the left side attached, tighten the right side as shown in figure 31.

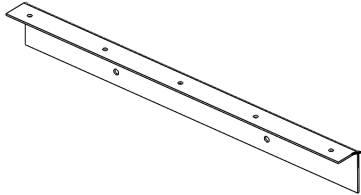


Figure 29: Support rail

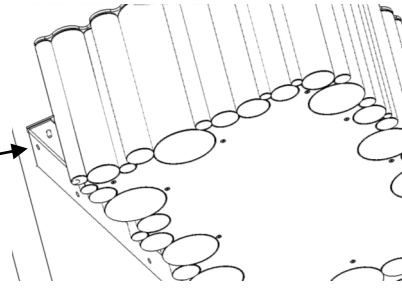


Figure 30: Left side rail clamping

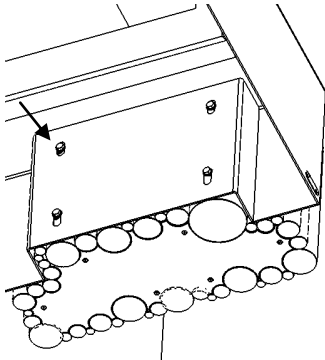


Figure 31: Tightening the largest side to the body

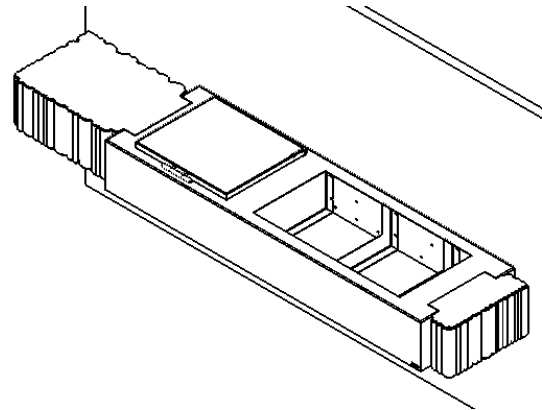


Figure 32: Final sides placement

Finally, place the gas or wood combustion zone in the hole and make the necessary installations for the proper functioning of the appliance.

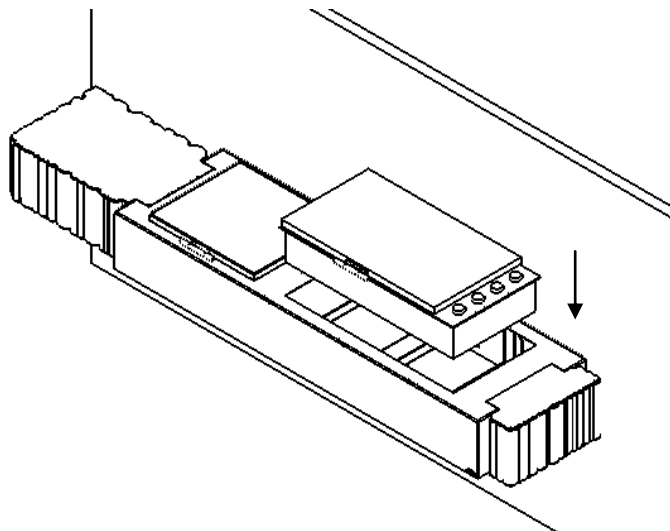


Figure 33: Placement of the combustion zone at La Bohème II

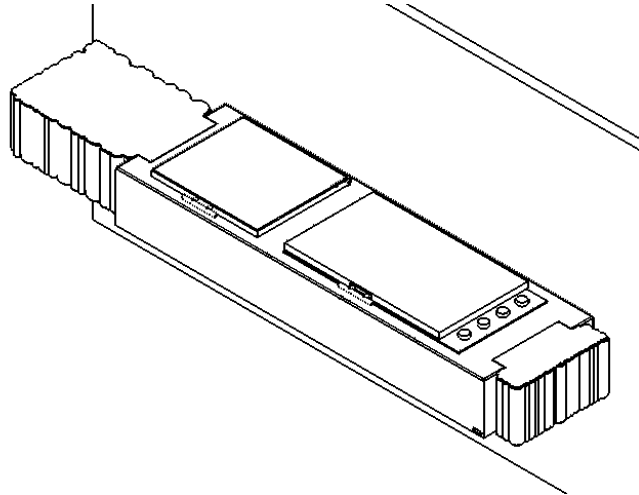
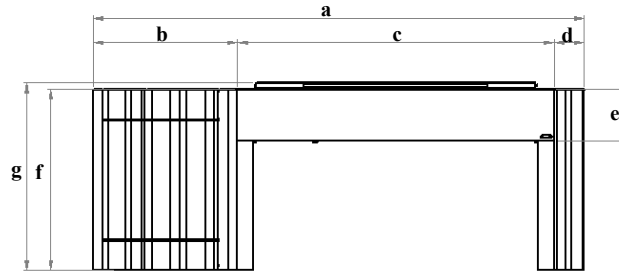


Figure 34: Final installation

6—Maintenance

- Cleaning must be carried out with each use of the barbecue with wood or charcoal. Residues resulting from burning must be removed so that each use of the combustion is perfect.
- In gas barbecues their cleaning must be carried out regularly for the same reason described above. Since there is no residues resulting from the combustion, the burner should be cleaned preferably with a cloth moistened with water or with non-chemical products suitable for stainless steel cleaning.
- Never use chemicals not suitable for cleaning stainless steel;
- Do not use steel wool or abrasive sponges. The surface can be scratched by these;
- For food preparation utensils, they should be cleaned after each use with neutral PH detergents and then thoroughly rinsed in order to avoid any residue.
- GlammFire cannot be held responsible for any damages resulting from incorrect and / or fraudulent use of the product. GlammFire cannot also be held liable for failure to observe the instructions for cleaning or applying and / or using any other cleaning techniques;
- **Note:** Failure to comply with the above rules will void any factory warranty on all fire pits or barbecues, with the customer losing the right to require repair under warranty.

7—Overall Dimensions



8—Specifications

La Bohème I				
	Sink + Charcoal Grill	Sink + Charcoal Grill + Gas Hob	Sink + Oven /Gas Grill	Sink + Oven/Gas Grill + Gas Hob
a	2665	2995	3077	3360
b	720			
c	1815	2125	2207	2489
d	130			
e	300			
f	900			
g	931	942	931	942

Note:

- Dimensions in mm.
- Quantity of charcoal to use is approximately 3kg.

9—After Sale-Service

In the event of an anomaly, consult a specialist.

10– Warranty

All of our Bio-ethanol Fireplaces and Burners, Electric Fireplaces, Fire Pits & Barbecues are warranted against manufacturing defects for a period of 2 years from the date of purchase.

This warranty does not cover replacement of glass, batteries, damage caused by accident or misuse of the appliance, or assembly / disassembly not indicated in the instruction manuals. If the product fails (not taking into account the events described above) during the warranty period, it will be replaced free of charge.

The warranty is exclusively applicable to the original purchaser and is not transferable in any case. All repairs must be carried out with the utmost care and by a qualified technician. The use of spare parts other than those specified by the manufacturer will void the warranty of the appliance.

IMPORTANT: Product registration does not require proof of purchase if it is made through our website, and should be based on the date of purchase. It will be assumed that the information provided will accurately reflect the information on the proof of purchase, which will be required at the time of repair / replacement service for any / all products that are covered by the warranty.

If there is a conflict of information, the information indicated on the proof of purchase will be considered accurate and true and the guarantee will be evaluated accordingly.

GlammFire is always concerned with the environment. This is reflected when the projection of it's their products and it's their packaging. Focusing on the reduction of energy consumption, raw materials, natural resources and quantity of waste generated, GlammFire follows the policy of the 4R's (Reduce, Reuse, Recycle and Recover). Thus GlammFire has in mind the use of long lasting products as well as reusable and recyclable products.

GlammFire recommends reusing the packaging separately and deposit plastic, paper, cardboard and glass in the appropriate collection point.

"In nature nothing is created, nothing is lost, everything is transformed."

Antoine Laurent de Lavoisier

GlammFire fireplaces are manufactured under the strict Standard of the world recognized ISO 9001:2008 Quality Assurance Certificate.

GlammFire products are designed with superior components and materials, assembled by trained craftsmen who take great pride in their work.

Once assembled the complete fireplace is thoroughly inspected by a qualified technician before packaging to ensure that you, the customer, receive the quality product that you expect from GlammFire.

glamm[®]
fire



GlammFire
Recuperadores Pachinha, Lda.
Zona Industrial da Lagoa, Lote G1
4950-850 Monção
Portugal

info@glammfire.com

T. +351 251 654 800 | F. +351 251 654 801

www.glammfire.com



/ glammfire