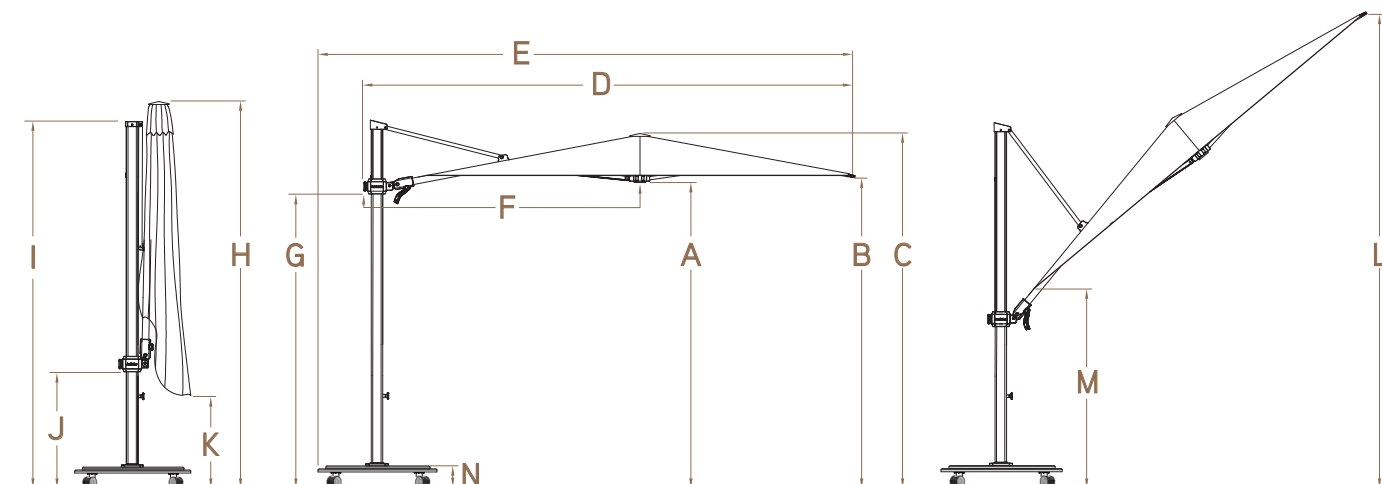
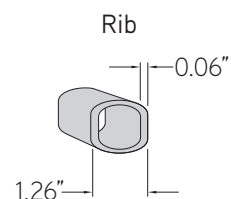
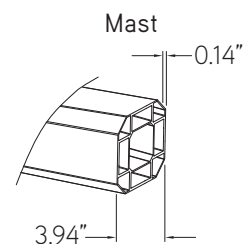
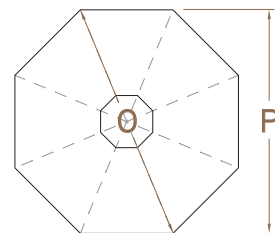
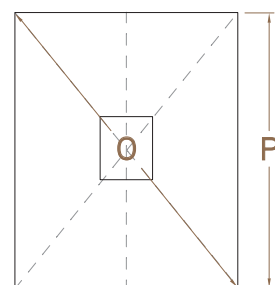


JCP.401 Specifications



Key	Description	JCP401-343RT RECTANGLE 10ftx14ft 3.0x4.3m	JCP401-40 OCTAGON 13 ft. 4.0m
A	Lower Hub HEIGHT (Open)	7.00 ft.	7.29 ft.
B	Rib End HEIGHT (Open)	7.17 ft.	7.50 ft.
C	Canopy HEIGHT (Open)	9.13 ft.	8.67 ft.
D	Knob to Rib End WIDTH (Open)	11.17 ft.	13.92 ft.
E	Base to Rib End WIDTH (Open)	14.80 ft.	15.42 ft.
F	Knob to Center Hub (Open)	6.38 ft.	8.38 ft.
G	Slider Car HEIGHT (Max Height)	7.44 ft.	6.98 ft.
H	Canopy HEIGHT (Closed)	9.85 ft.	9.40 ft.
I	Mast HEIGHT (Closed)	9.23 ft.	8.67 ft.
J	Slider Car HEIGHT (Closed)	2.90 ft.	2.36 ft.
K	Rib End HEIGHT (Closed)	0.77 ft.	2.77 ft.
L	Top Rib End HEIGHT (Max. Back Tilt)	13.42 ft.	15.17 ft.
M	Bottom Rib End HEIGHT (Max. Back Tilt)	4.31 ft.	4.50 ft.
N	Base HEIGHT	6.25 in.	6.25 in.
O	Canopy LENGTH (Diagonal)	17.25 ft.	13.08 ft.
P	Canopy WIDTH	9.75 ft. x 13.83 ft.	11.92 ft.



Note: Measurements include JCB401 Base.