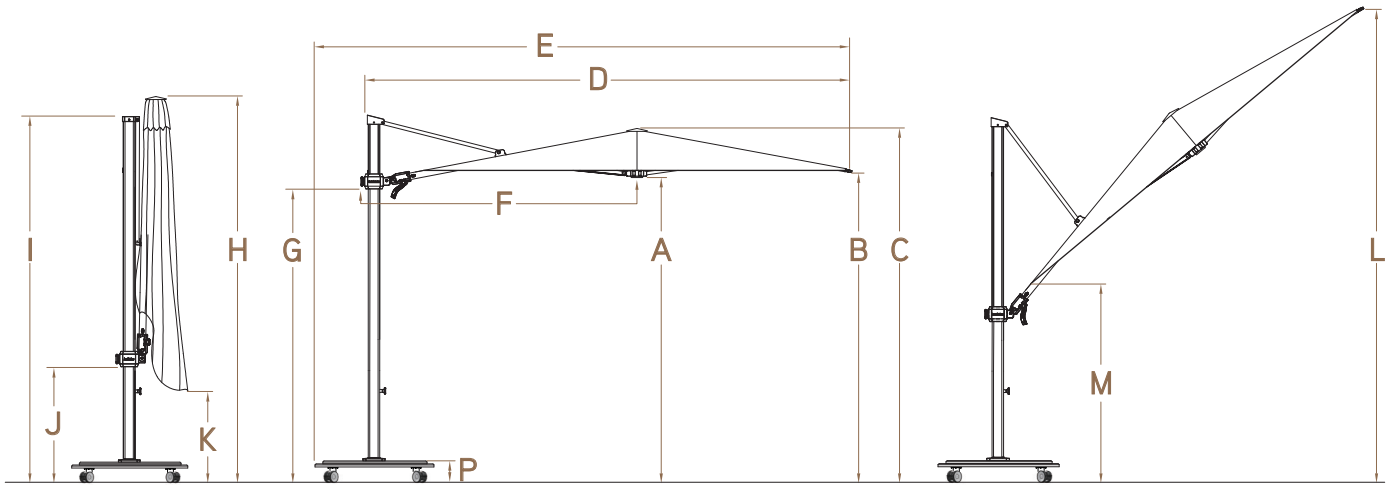


## JCP.301 Specifications



Key	Description	JCP301-30S SQUARE 10 ft.   3.0m	JCP301-35 OCTAGON 11.5 ft.   3.5m
<b>A</b>	Lower Hub HEIGHT (Open)	7.04 ft.	6.92 ft.
<b>B</b>	Rib End HEIGHT (Open)	7.33 ft.	7.50 ft.
<b>C</b>	Canopy HEIGHT (Open)	8.08 ft.	8.02 ft.
<b>D</b>	Mast to Rib End WIDTH (Open)	11.00 ft.	12.60 ft.
<b>E</b>	Base to Rib End WIDTH (Open)	12.33 ft.	13.75 ft.
<b>F</b>	Knob to Center Hub (Open)	6.29 ft.	
<b>G</b>	Slider Car HEIGHT (Max. Height)	6.63 ft.	6.63 ft.
<b>H</b>	Canopy HEIGHT (Closed)	8.40 ft.	8.75 ft.
<b>I</b>	Mast HEIGHT (Closed)	8.29 ft.	8.31 ft.
<b>J</b>	Slider Car HEIGHT (Closed)	2.10 ft.	2.27 ft.
<b>K</b>	Rib End HEIGHT (Closed)	1.56 ft.	2.85 ft.
<b>L</b>	Top Rib End HEIGHT (Max. Back Tilt)	13.08 ft.	13.42 ft.
<b>M</b>	Bottom Rib End HEIGHT (Max. Back Tilt)	3.54 ft.	4.63 ft.
<b>N</b> <small>(Not Shown)</small>	Top Rib End HEIGHT (Max. L/R Tilt)	10.17 ft.	10.48 ft.
<b>O</b> <small>(Not Shown)</small>	Bottom Rib End HEIGHT (Max. L/R Tilt)	4.33 ft.	3.92 ft.
<b>P</b>	Base HEIGHT	5.25 in.	5.25 in.
<b>Q</b>	Canopy LENGTH (Diagonal)	13.83 ft.	11.50 ft.
<b>R</b>	Canopy WIDTH	9.83 ft.	11.50 ft.

