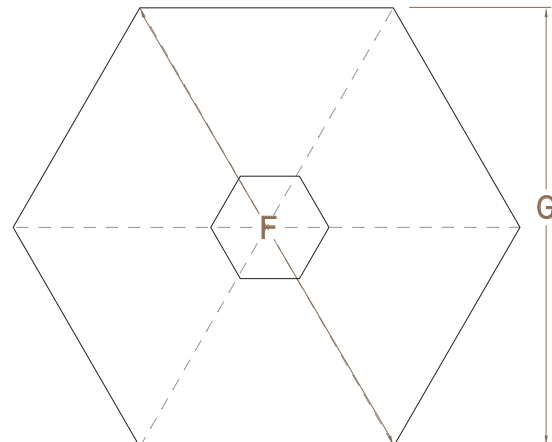
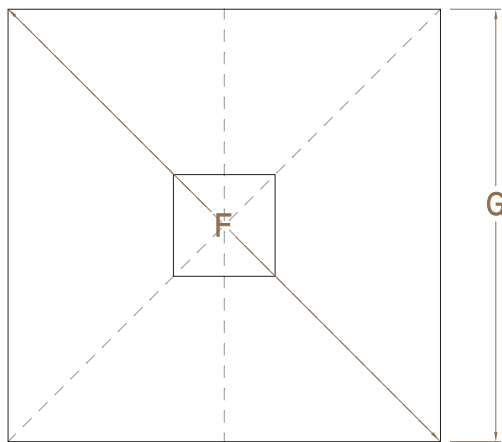
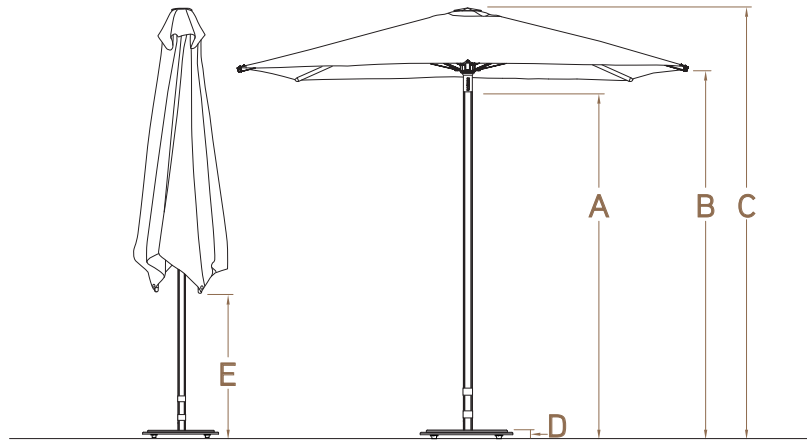
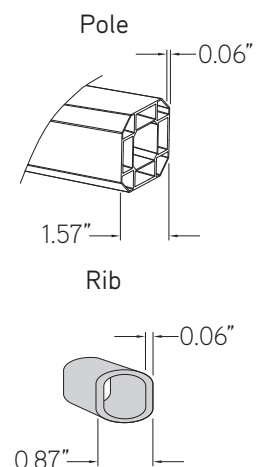


JCP.101 Specifications



Key	Description	JCP101-23S SQUARE 7.5 ft. 2.3m	JCP101-28 HEXAGON 9 ft. 2.8m
A	Lower Hub HEIGHT (Open)	6.58 ft.	6.94 ft.
B	Rib End HEIGHT (Open)	6.69 ft.	7.08 ft.
C	Overall HEIGHT	7.71 ft.	7.90 ft.
D	Base HEIGHT	3.25 in.	3.25 in.
E	Rib End HEIGHT (Closed)	2.26 ft.	3.35 ft.
F	Canopy LENGTH (Diagonal)	10.67 ft.	9.31 ft.
G	Canopy WIDTH	7.58 ft.	8.10 ft.



Note: Measurements include JCB101 Base.