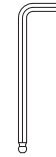


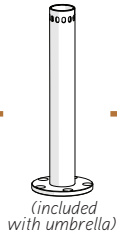
+



+



+

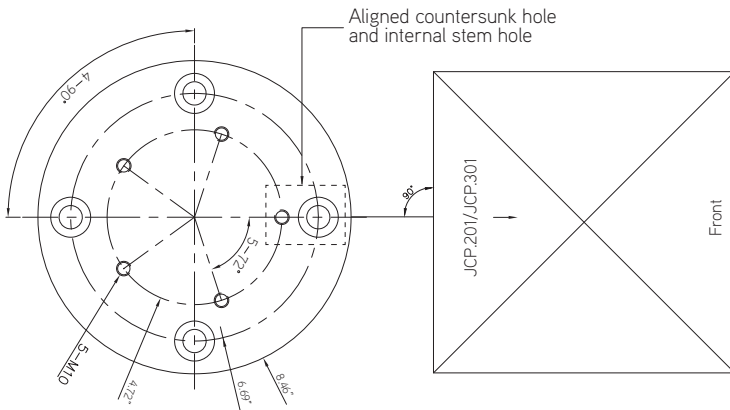


+



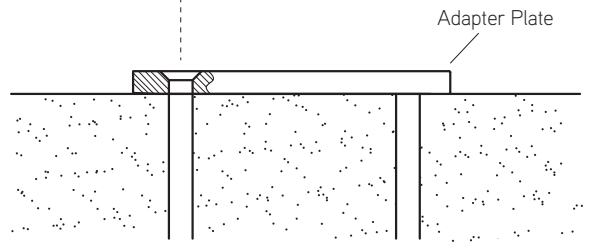
1

Aligned countersunk hole and internal stem hole must face direction of umbrella! Drill (4) holes on concrete according to countersunk holes in diagram below. Hole depth should be no less than 4" / 100mm.



2

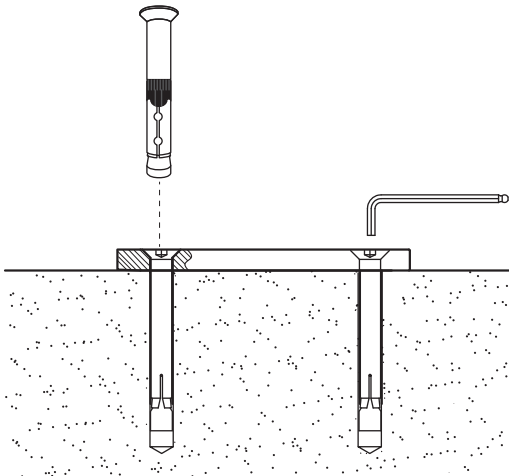
Make sure all adapter plate holes align with drilled holes in concrete.



Concrete should be at least 6" thick (8" thick concrete required for rooftop applications)

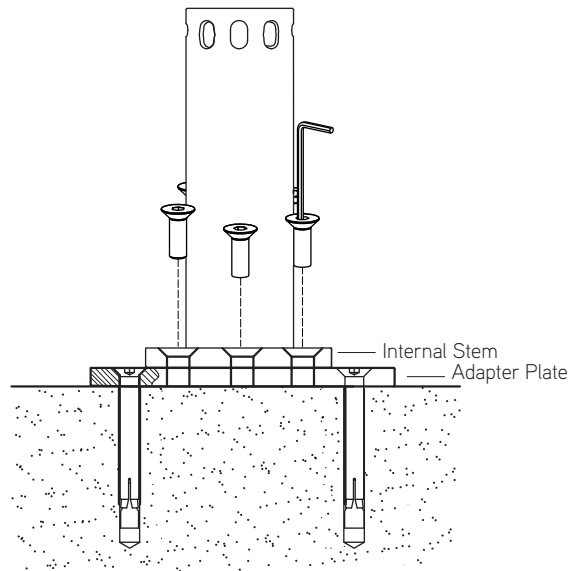
3

Insert (4) expansion bolts into countersunk holes and tighten using an allen wrench.



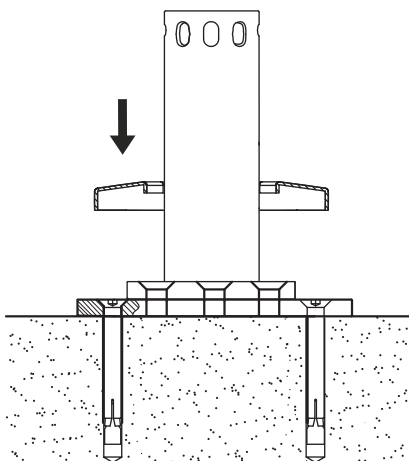
4

Align internal stem holes with adapter plate holes. Insert (5) stem bolts and tighten using an allen wrench to secure. Note: Internal stem and stem bolts are included with the umbrella.



5

Slide internal stem cover over internal stem (included with umbrella and optional use). Refer to umbrella manual for further installation instructions.



DISCLAIMER:

ALL MOUNT KITS SHOULD ONLY BE PROFESSIONALLY INSTALLED BY A LICENSED CONTRACTOR DULY QUALIFIED TO PERFORM THE INSTALLATION. JARDINICO® ASSUMES NO LIABILITY AND EXPRESSLY DISCLAIMS ANY RESPONSIBILITY FOR INJURIES OR DAMAGES ARISING FROM OR RELATED TO THE FAILURE OF BUYER TO HAVE ANY MOUNT KIT INSTALLED BY A LICENSED PROFESSIONAL CONTRACTOR. JARDINICO MAKES NO WARRANTY EXCEPT AS EXPRESSLY STATED HEREIN, AND NO WARRANTY EXCEPT TITLE TO MATERIALS FURNISHED SHALL BE IMPLIED WITH RESPECT TO THIS ORDER.

DISCLAIMER OF WARRANTIES: EXCEPT AS HEREIN EXPRESSLY SET FORTH, THIS PRODUCT IS SOLD "AS IS" AND "WITH ALL FAULTS", AND WITHOUT ANY IMPLIED WARRANTY OF MERCHANTABILITY -- WHICH WARRANTY IS HEREBY EXPRESSLY EXCLUDED. THIS PRODUCT IS SOLD WITHOUT ANY IMPLIED WARRANTY OF FITNESS FOR A PARTICULAR PURPOSE -- WHICH WARRANTY IS HEREBY EXPRESSLY EXCLUDED. MOREOVER, THERE ARE NO WARRANTIES WHICH EXTEND BEYOND THE DESCRIPTION ON THE FACE HEREOF."