



# Fiberbuilt UMBRELLAS & CUSHIONS

FIBERBUILT UMBRELLAS & CUSHIONS

P.O. BOX 9060

FT. LAUDERDALE, FL 33310

TOLL FREE: 1-866-667-8668

PHONE: (954) 484-9139

FAX: (954) 484-4654

www.fiberbuiltumbrellas.com

SELECT DESIRED MODEL:

SBG85

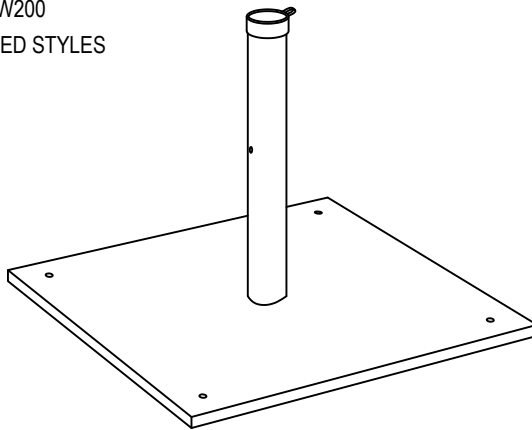
SBG130

SBG200

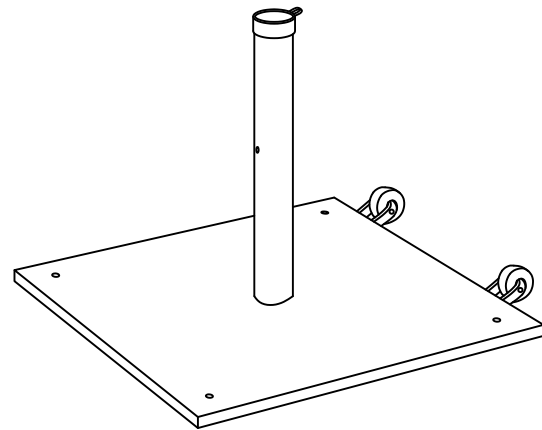
SBGW130

SBGW200

W - WHEELED STYLES



SBG85



SBGW130

## FEATURES

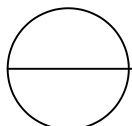
- AVAILABLE IN 3 WEIGHTS: 85 LB, 130 LB AND 200 LB
- LOW PROFILE STEEL BASE WITH WELDED BASE SLEEVE
- GALVANIZED AND POWDER COATED SILVER. ALSO AVAILABLE IN BLACK
- THROUGH BOLT TO SECURE UMBRELLA
- WHEELED STYLES HAVE "W" IN MODEL NUMBERS
- BASE MUST BE ORDERED WITH THE PROPER SLEEVE SIZE.
- ADD TO MODEL NUMBER: 2 FOR 1.5" POLE & 2" POLES, 25 FOR 2.5" POLE
- SBG85, SBG130 AND SBG200 STATIONARY (WITHOUT WHEELS)
- SBGW130 AND SBGW200 WITH WHEELS

## SPECIFICATIONS

STYLE:	STANDARD	STANDARD	STANDARD	W/WHEELS	W/WHEELS
MODEL #:	SBG85	SBG130	SBG200	SBGW130	SBGW200
WEIGHT:	85 LBS	130 LBS	200 LBS	130 LBS	200 LBS
SIZE:	24"	24"	30"	24"	30"
OVERALL HEIGHT:	18"	18"	18"	18"	18"

### NOTES:

1. INSTALLATION TO BE COMPLETED IN ACCORDANCE WITH MANUFACTURER'S SPECIFICATIONS.
2. DO NOT SCALE DRAWING.
3. THIS DRAWING IS INTENDED FOR USE BY ARCHITECTS, ENGINEERS, CONTRACTORS, CONSULTANTS AND DESIGN PROFESSIONALS FOR PLANNING PURPOSES ONLY. THIS DRAWING MAY NOT BE USED FOR CONSTRUCTION.
4. ALL INFORMATION CONTAINED HEREIN WAS CURRENT AT THE TIME OF DEVELOPMENT BUT MUST BE REVIEWED AND APPROVED BY THE PRODUCT MANUFACTURER TO BE CONSIDERED ACCURATE.
5. CONTRACTOR'S NOTE: FOR PRODUCT AND COMPANY INFORMATION VISIT [www.CADdetails.com/info](http://www.CADdetails.com/info) AND ENTER REFERENCE NUMBER 5294-029



## STEEL BASES

UMBRELLA BASES