



Fiberbuilt

UMBRELLAS & CUSHIONS

FIBERBUILT UMBRELLAS & CUSHIONS

P.O. BOX 9060

FT. LAUDERDALE, FL 33310

TOLL FREE: 1-866-667-8668

PHONE: (954) 484-9139

FAX: (954) 484-4654

www.fiberbuiltumbrellas.com

SELECT DESIRED MODEL:

AB110 (115 LBS)

AB160 (160 LBS)

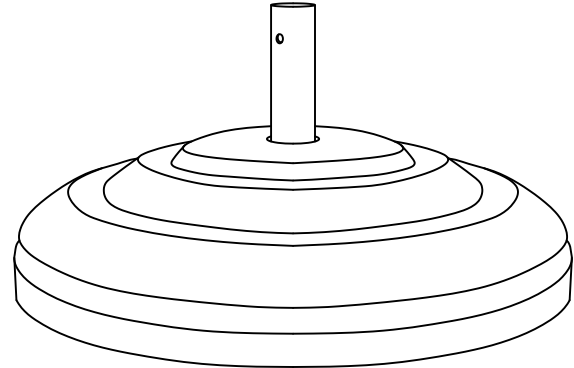
SELECT DESIRED FINISH COLOR:

WH - WHITE

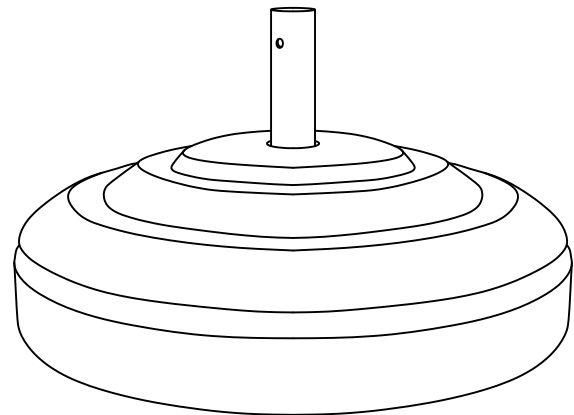
SV - SILVER

CB - BRONZE

BK - BLACK



AB110 (115 LBS)



AB160 (160 LBS)

FEATURES

- CONTEMPORARY SMOOTH STYLE
- BASE SLEEVE WITH THROUGH BOLT TO SECURE UMBRELLA
- ALL MODELS SHIP FILLED WITH CONCRETE
- INSTRUCTIONS INCLUDED. SOME ASSEMBLY AND TOOLS REQUIRED.
- BASE MUST BE ORDERED WITH THE PROPER SLEEVE SIZE
- ADD TO MODEL NUMBER:
1 FOR 1 1/2" POLE, -2 FOR 1 3/4" OR 2" POLE, AND -25 FOR 2 1/2" POLE

SPECIFICATIONS

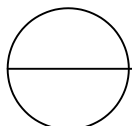
MODEL #:	AB110	AB160
WEIGHT:	115 LBS	160 LBS
SIZE:	23" DIAM	23" DIAM
OVERALL HEIGHT:	12"	12"

MANUFACTURER NOTES:

1. WHEN ORDERING SPECIALIZED BASES, THE MODEL NUMBER SHOULD BE WRITTEN IN THE FOLLOWING ORDER:
STYLE NUMBER - COLOR ABBREVIATION - POLE DIAM. FOR EXAMPLE: AB110-CB-2

NOTES:

1. INSTALLATION TO BE COMPLETED IN ACCORDANCE WITH MANUFACTURER'S SPECIFICATIONS.
2. DO NOT SCALE DRAWING.
3. THIS DRAWING IS INTENDED FOR USE BY ARCHITECTS, ENGINEERS, CONTRACTORS, CONSULTANTS AND DESIGN PROFESSIONALS FOR PLANNING PURPOSES ONLY. THIS DRAWING MAY NOT BE USED FOR CONSTRUCTION.
4. ALL INFORMATION CONTAINED HEREIN WAS CURRENT AT THE TIME OF DEVELOPMENT BUT MUST BE REVIEWED AND APPROVED BY THE PRODUCT MANUFACTURER TO BE CONSIDERED ACCURATE.
5. CONTRACTOR'S NOTE: FOR PRODUCT AND COMPANY INFORMATION VISIT www.CADdetails.com/info AND ENTER REFERENCE NUMBER 5294-024



ALUMINUM BASES

UMBRELLA BASES