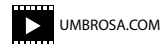


UMBROSA

UNIQUE SHADE DESIGN



ECLIPSUM UX



UMBROSA.COM

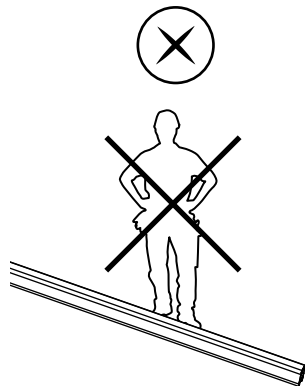
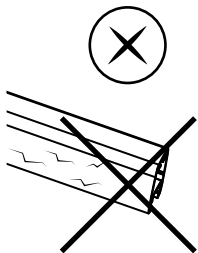
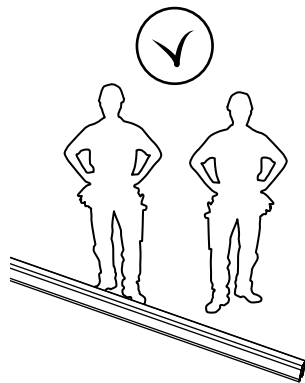
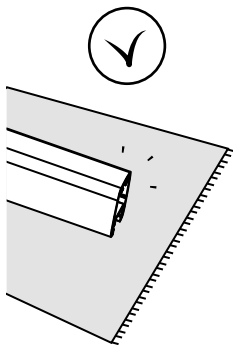
- ENG** Congratulations with your purchase! Please completely read and follow all the instructions.
- NL** Proficiat met uw aankoop! Gelieve alle instructies te lezen en op te volgen.
- FR** Félicitations avec votre achat. Lisez svp les instructions complètes.
- DE** Herzlichen Glückwunsch zu Ihrem Kauf! Bitte vollständig lesen und befolgen Sie alle Anweisungen.
- ES** Felicidades con su compra! Por favor lea y siga todas las instrucciones.
- IT** Congratulazioni con il Vs. acquisto! Vi preghiamo di leggere bene le istruzioni e di seguirne scrupolosamente le indicazioni.

IMPORTANT:

Please read this entire manual before installing or operating your umbrella, to reduce risk of personal injury in which a person is injured or harmed, and/or damage to personal property. Prior to assembly it is important to decide on the location of the umbrella and to respect the following instructions:

- Choose a location that is level and sturdy.
- Avoid any sloping of soft ground.
- Consider a location that will maximize the umbrella's 360° rotating function (if available)
- Two-person team is recommended for assembly

BEFORE YOU START



SAFETY STATEMENTS & WARNINGS



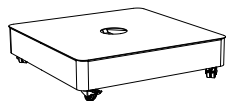
- Product is suitable for light wind and/or light rain only.
- Position product in direction of wind as recommended in user manual.
- Do not use product in inclement weather, such as strong wind, thunderstorms, heavy rain or snow, and make sure that the umbrella is closed and stored in advance.
- Never allow the umbrella to flap in the wind. This could cause personal injury, damage to personal property, damage to umbrella and/or umbrella canopy.
- Close product and secure strap when not in use.
- Do not use product without its base or unless attached to building structure, and keep umbrella secured to umbrella base or mount at all times.
- Do not use product over or near harsh chemicals or open flames.
- Place product on stable and level surface.
- Do not allow children to assemble or operate product.
- Do not leave product unattended.
- Store product indoors during winter and extreme weather conditions.
- When adjusting or assembling the umbrella or umbrella base, make sure fingers, toes or any other parts of the body are clear from moving parts. Failing to do so may result in serious injury.
- Only use Umbrosa replacement parts.
- Read owner's manual.
- Any modifications to the product or failure to follow recommended care will void the warranty.
- Wind damage is not covered under our limited warranty.

DISCLAIMER:

All mounting kits and supports for inground fitting and installation on hard surfaces should only be installed by a licensed contractor duly qualified to perform the installation. Umbrosa assumes no liabilities and expressly disclaims any responsibilities for injuries or damages arising from or related to the failure of buyer to have any kit or fitting installed by a licensed professional contractor.

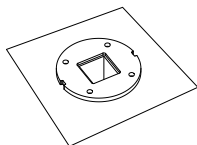
INDEX

BASE AND MOUNTING OPTIONS



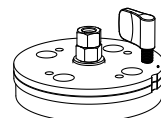
LARGE TILE BASE UX

p7



CONCRETE ANCHOR

p14



GROUND MOUNTING

p19

ECLIPSUM



INSTALLATION

p21



USER INSTRUCTIONS

p30



TIPS AND MAINTENANCE

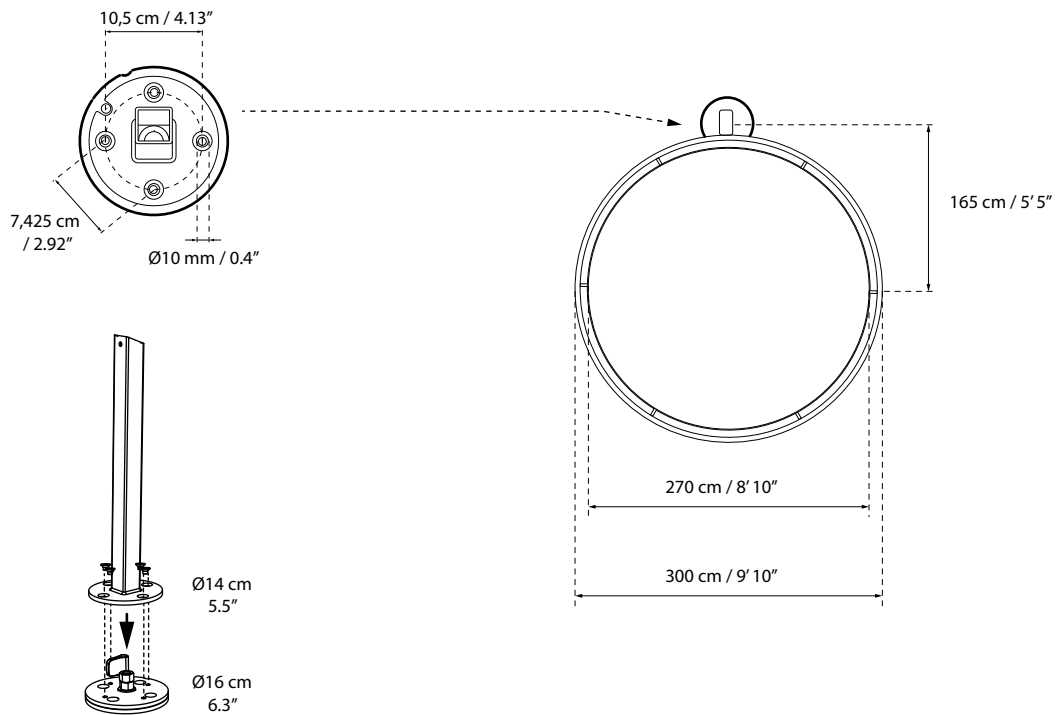
p32



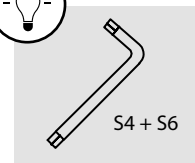
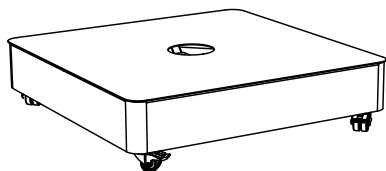
WARRANTY AND
SPARE PARTS

p35

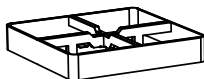
INSTALLATION DIMENSIONS



LARGE TILE BASE UX INSTALLATION



TOP PLATE
BASETOPPLATEUX



UX FRAME
BASEFRAMEUX

UX BASE



4x
WHEEL
MACOMU005D



4x
WHEEL PLATE
MABASMOB03



16x
M6
MABOLI0200



4x
NUT PLATE M6
UMFIXG0021_V1



4x
BOLT M6x20
MABOLI0560

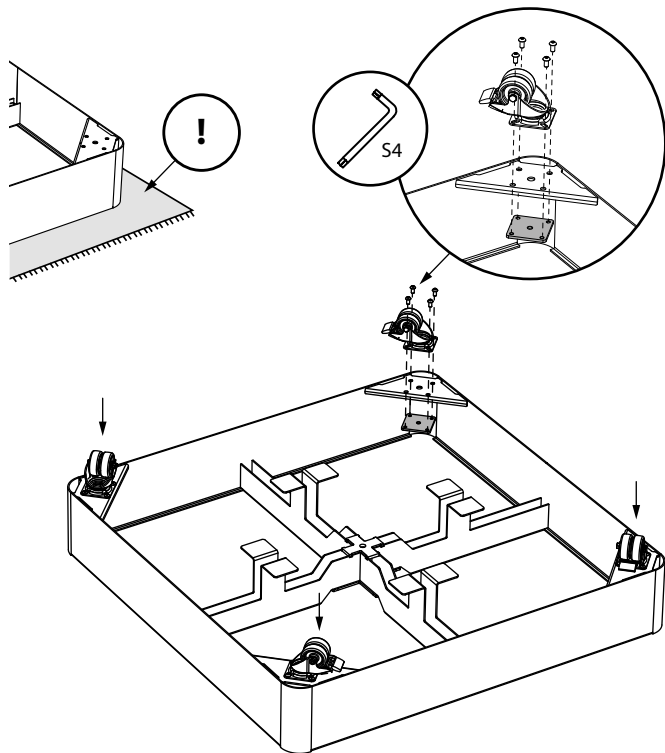


4x
M 10x25
MABOLIG0033

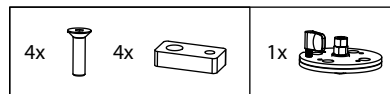
LARGETILE BASE UX INSTALLATION



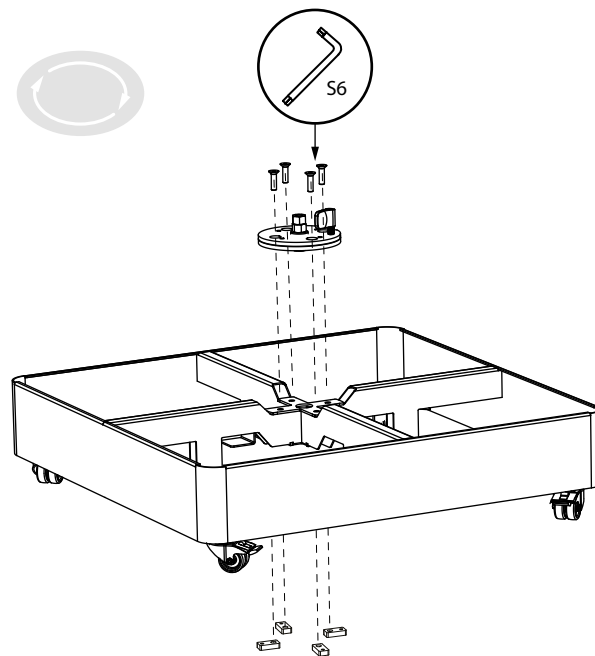
1



2



SEE UMBRELLA BOX



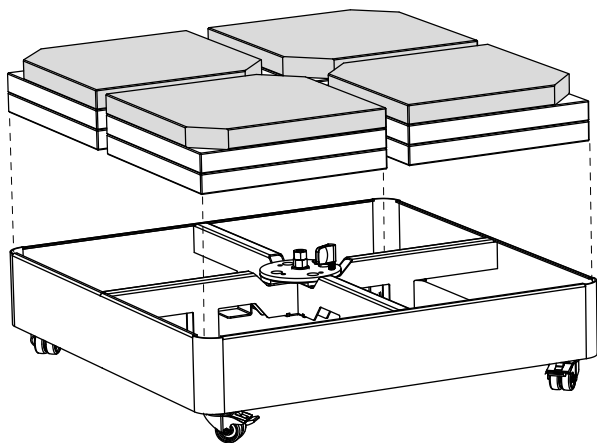
LARGETILE BASE UX INSTALLATION



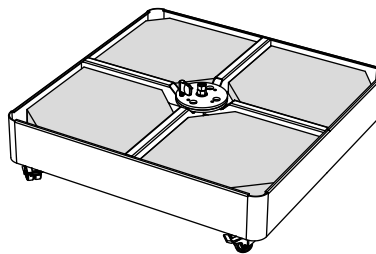
3

BASE TILE DIMENSIONS

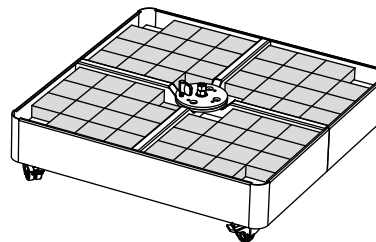
| | MINIMUM | MAXIMUM |
|----------------|------------|------------|
| TILE SIZE | 38 x 38 cm | 40 x 40 cm |
| | 15" x 15" | 16" x 16" |
| TILE THICKNESS | 38 mm | 45 mm |
| | 1 1/2" | 1 3/4" |



TOP LAYER TILE OPTIONS



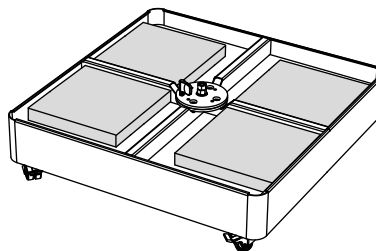
CONCRETE TILE
WITH CORNER CUT



SMALL CONCRETE
TILES

example:

10x10 cm / 0.4"x0.4"
max. thickness = 4 cm / 1.75"



SMALLER CONCRETE
TILE

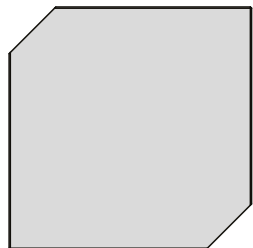
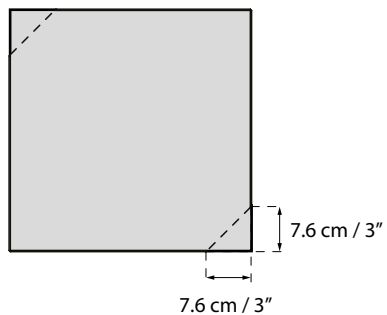
example:

30x30 cm / 12"x12"
max. thickness = 4 cm / 1.75"

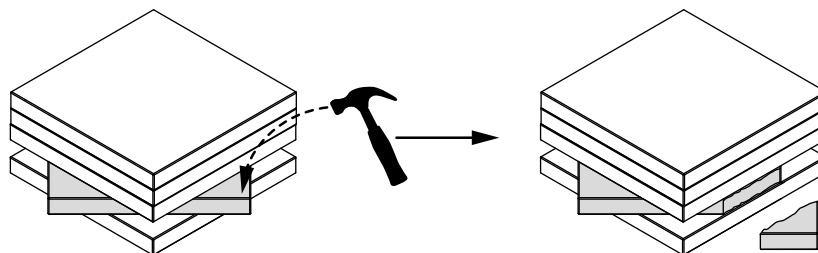
LARGETILE BASE UX INSTALLATION



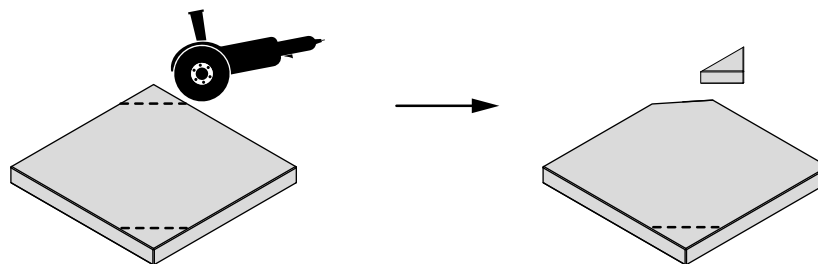
*CORNER CUT TUTORIAL



OPTION 1: BREAK CORNER



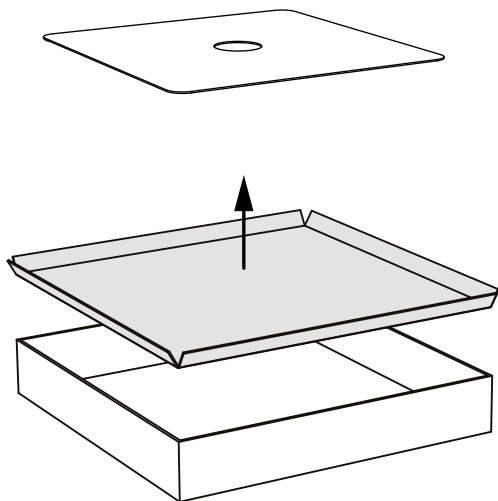
OPTION 2: CUT CORNER



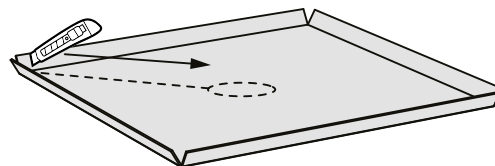
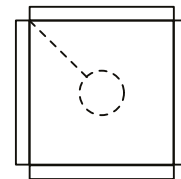
LARGETILE BASE UX INSTALLATION



4



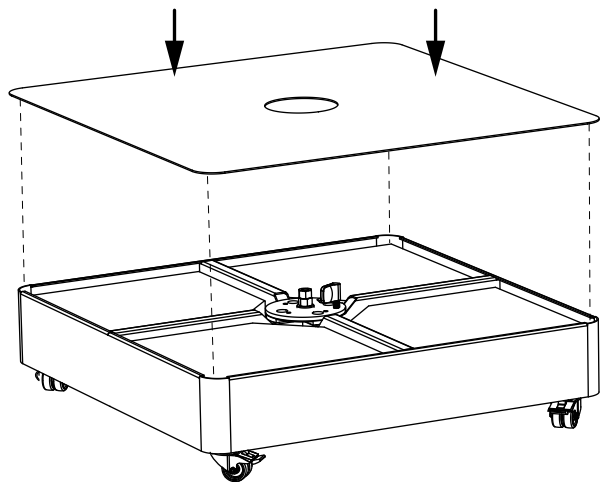
5



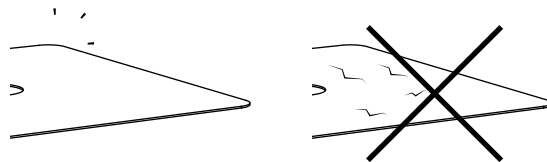
LARGETILE BASE UX INSTALLATION



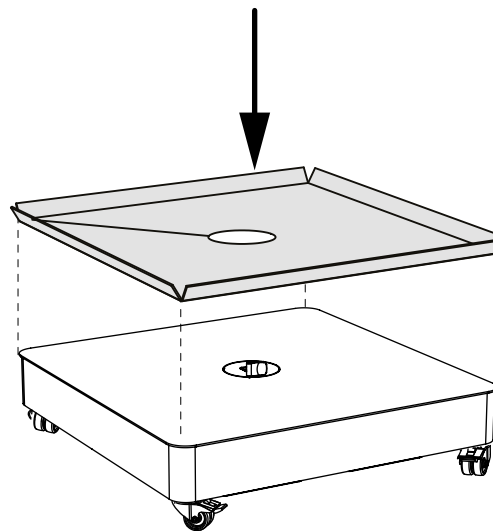
6



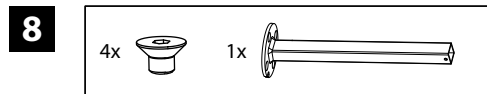
7



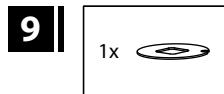
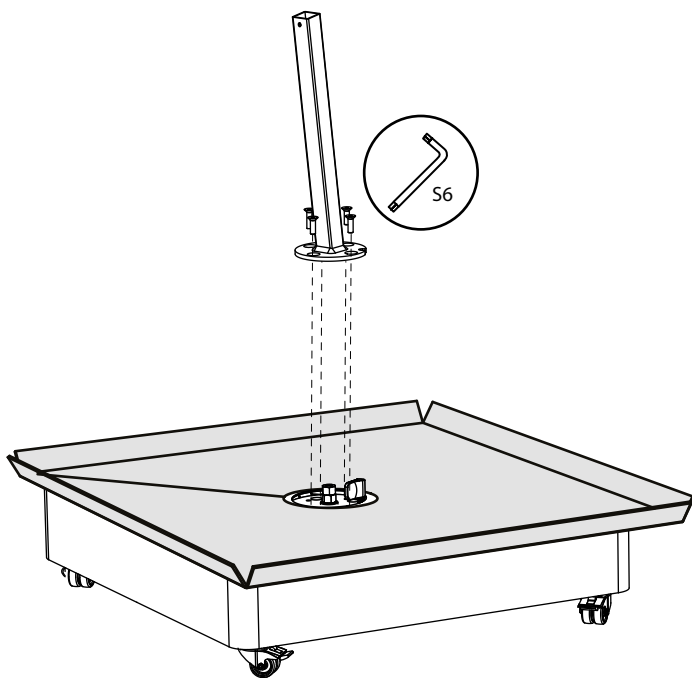
USE PACKAGING TO
PROTECT TOP PLATE



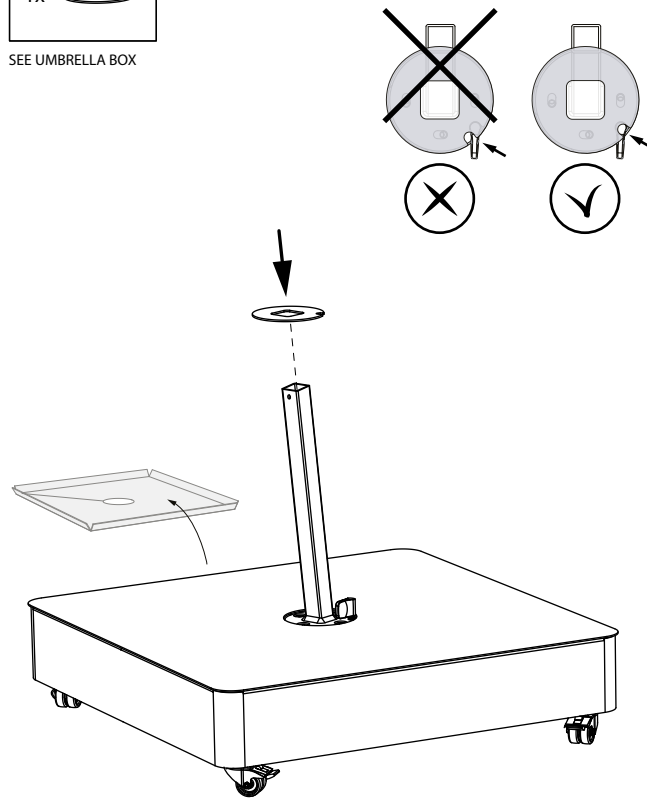
LARGETILE BASE UX INSTALLATION



SEE UMBRELLA BOX



SEE UMBRELLA BOX

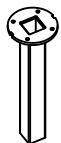
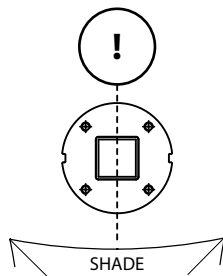
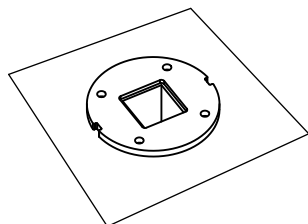


CONCRETE ANCHOR INSTALLATION

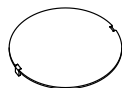
INGROUNDANCHORAGE-90



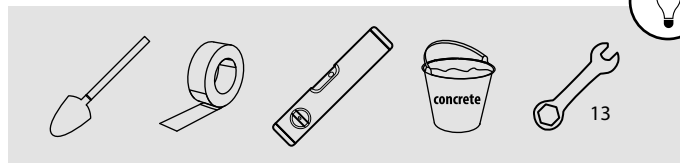
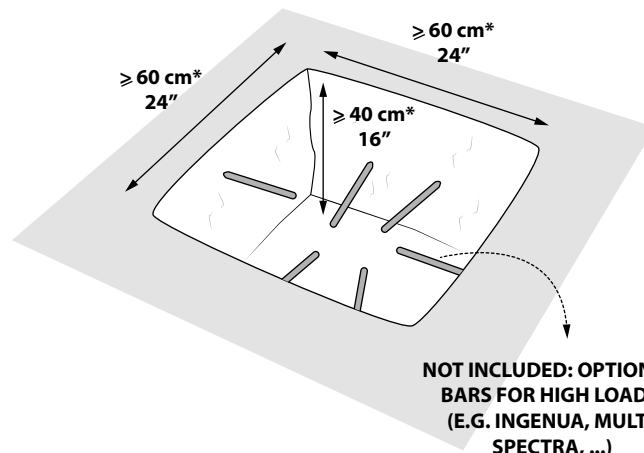
1



**INGROUNDANCHOR
TYPE1**



MAPLAICROTCAP20

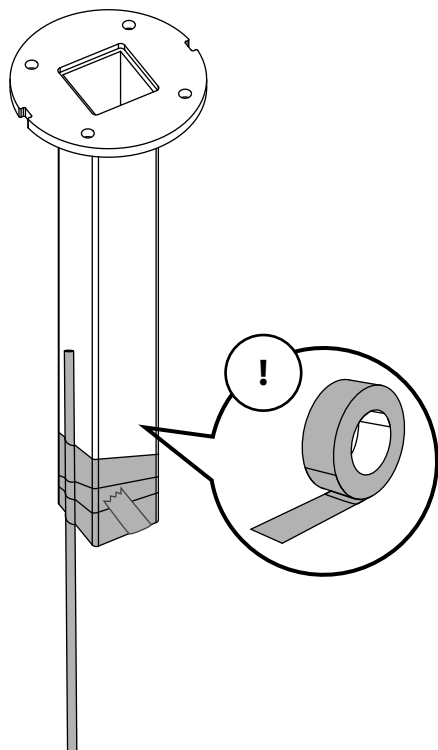


- ENG** Dimensions are indicative. Final responsibility always lies with the installer.
NL Maten zijn informatief. Eindverantwoordelijkheid ligt bij installateur.
FR Les dimensions indiquées sont seulement à titre informatif. La responsabilité finale incombe à l'installateur.
DE Die Maße sind nur informativ. Der Installateur trägt die Verantwortung für die Ausführung.
ES Los tamaños son solamente informativos. El instalador es responsable del acabado final.
IT Dimensioni sono indicative. La responsabilità finale spetta sempre all'installatore.

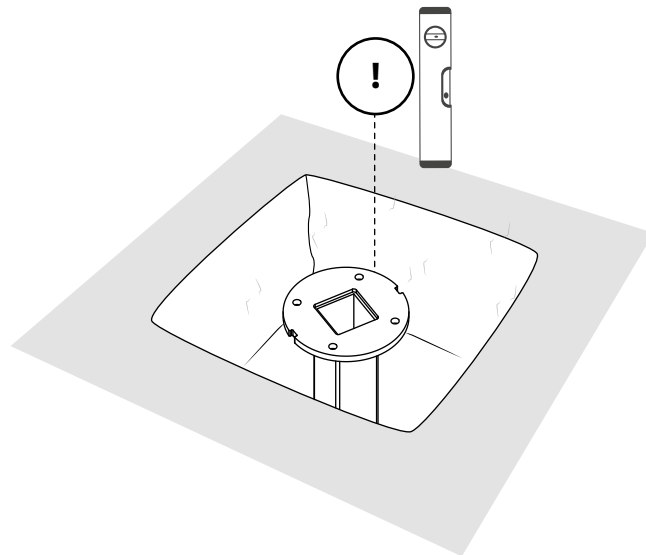
CONCRETE ANCHOR INSTALLATION



2



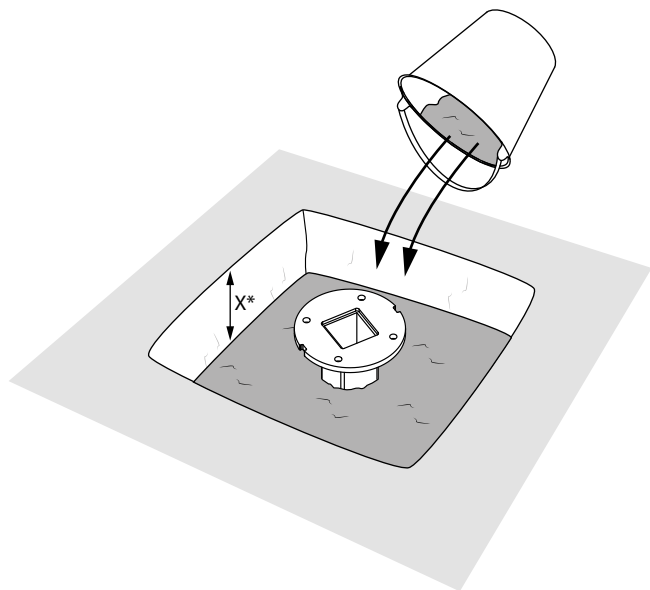
3



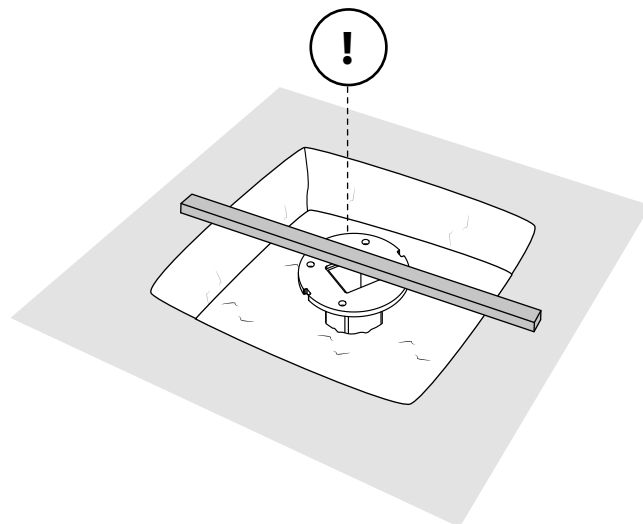
CONCRETE ANCHOR INSTALLATION







4



5

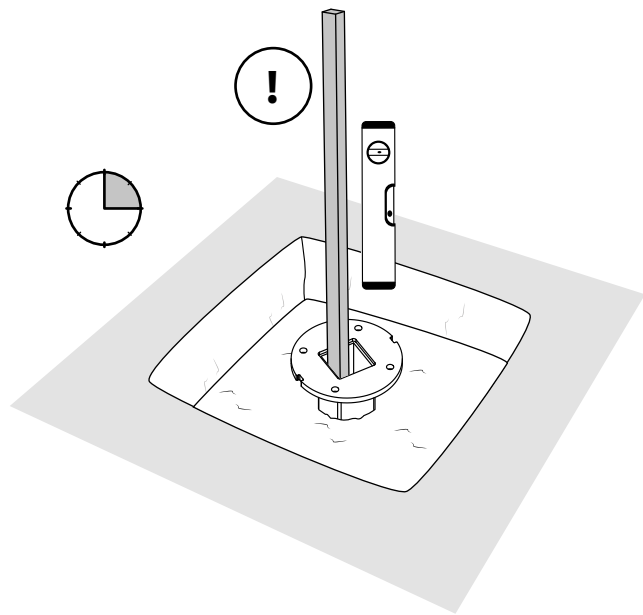


| | | | |
|---|--|---|---|
| |  GRASS |  GRAVEL |  H TILES |
|  X* | 10 cm / 4" | 4 cm / 1 1/2" | = H |

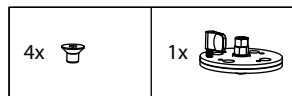
CONCRETE ANCHOR INSTALLATION



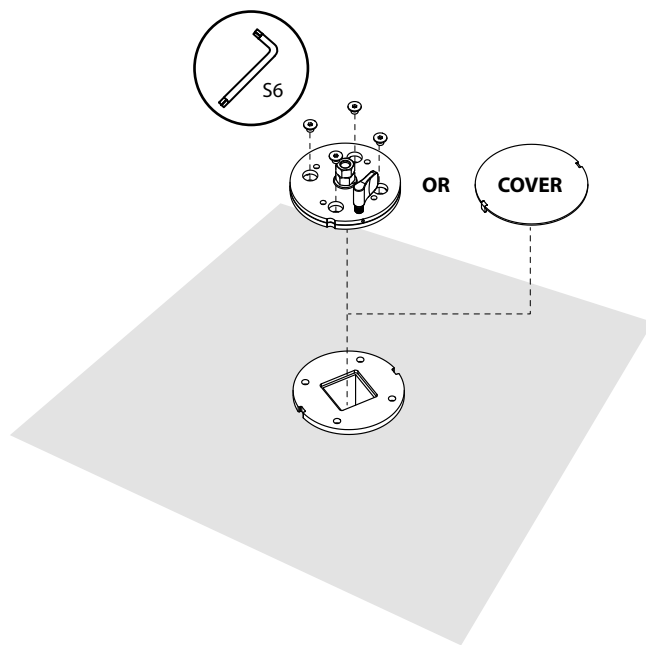
6



7



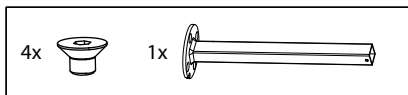
SEE UMBRELLA BOX



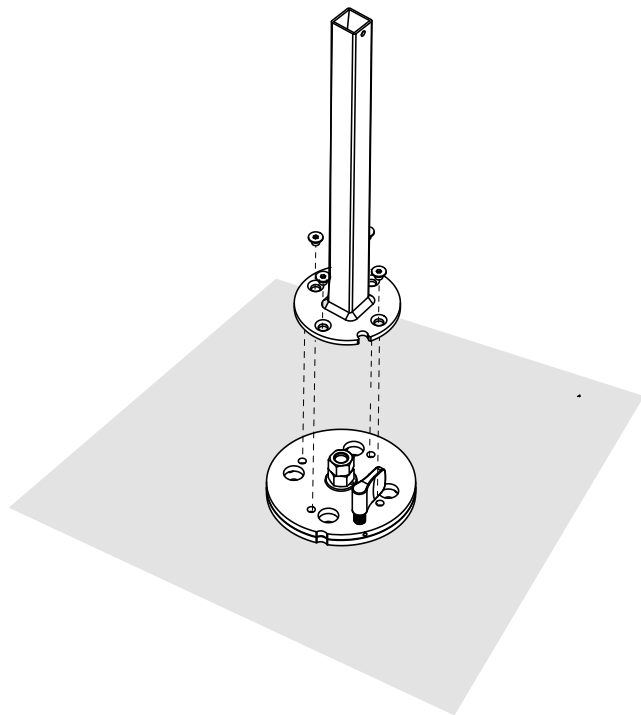
CONCRETE ANCHOR INSTALLATION



8

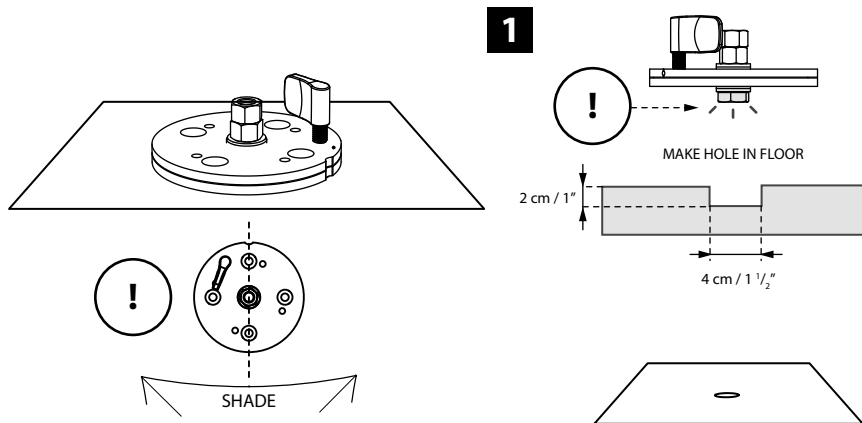


SEE UMBRELLA BOX

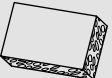
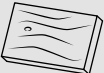

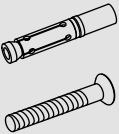
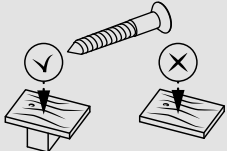
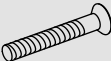


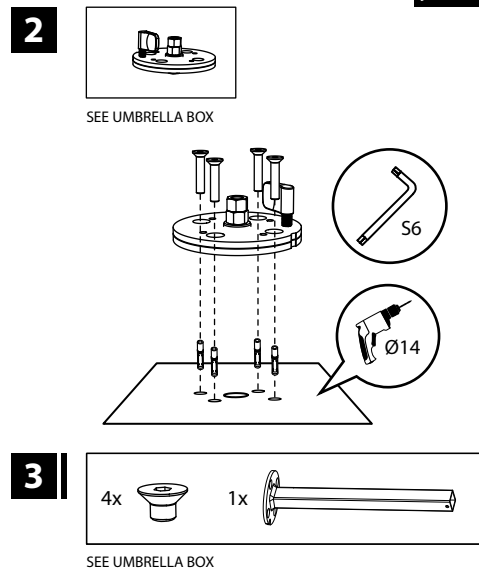
GROUND MOUNTING

A. STANDARD OPTION



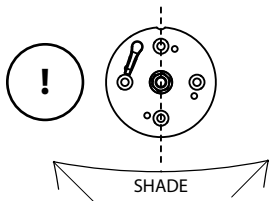
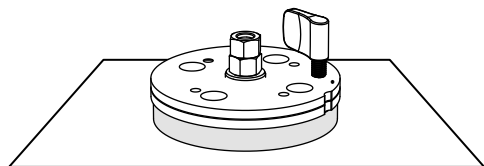
Not included - Niet inbegrepen - Pas inclus
Nicht inbegriffen - No incluido - Non incluso

| | | |
|---|---|--|
|  <p>CONCRETE</p> |  <p>WOOD</p> |  <p>METAL</p> |
|  |  |  |
| <p>example: DIN 7991 M10</p> | <p>example: DIN 7997 Ø8 mm</p> | <p>example: DIN 7991 M10</p> |



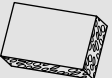
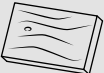

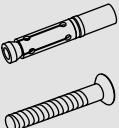
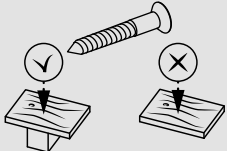
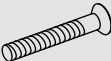
GROUND MOUNTING

B. OPTIONAL: WITH SPACER PLATE



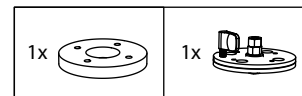
MACOM001

Not included - Niet inbegrepen - Pas inclus
 Nicht inbegriffen - No incluido - Non incluso

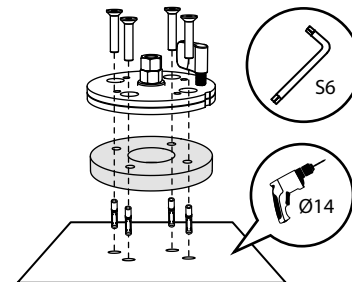
| | | |
|---|---|--|
|  <p>CONCRETE</p> |  <p>WOOD</p> |  <p>METAL</p> |
|  |  |  |
| <p>example: DIN 7991 M10</p> | <p>example: DIN 7997 Ø8 mm</p> | <p>example: DIN 7991 M10</p> |



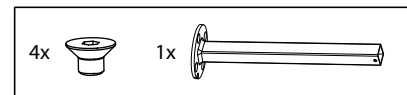
1



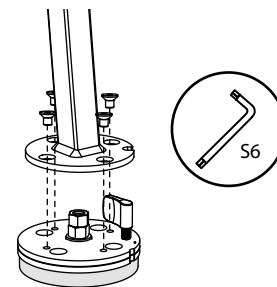
SEE UMBRELLA BOX



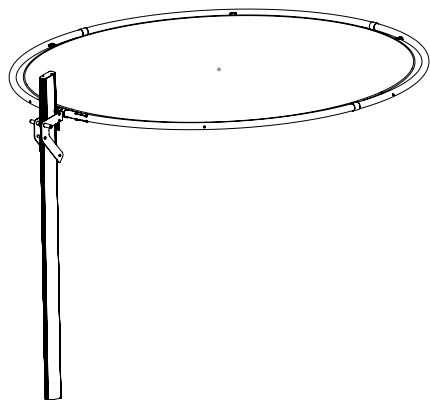
2



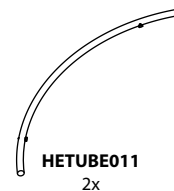
SEE UMBRELLA BOX



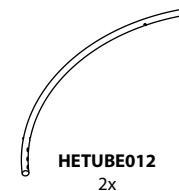
ECLIPSUM INSTALLATION



MAPROECON2022



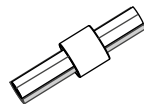
HETUBE011
2x



HETUBE012
2x



ECLIPSUMCOVERN-*



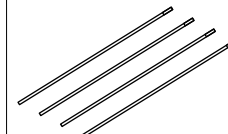
HECONNECTOR
3x



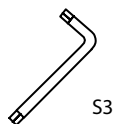
MABOLI0360
12x



UMFIXROT01V01

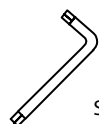


HECOME007W
4x



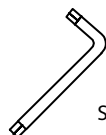
MAKEY00040

S3



MAKEY00050

S4



MAKEY00060

S5



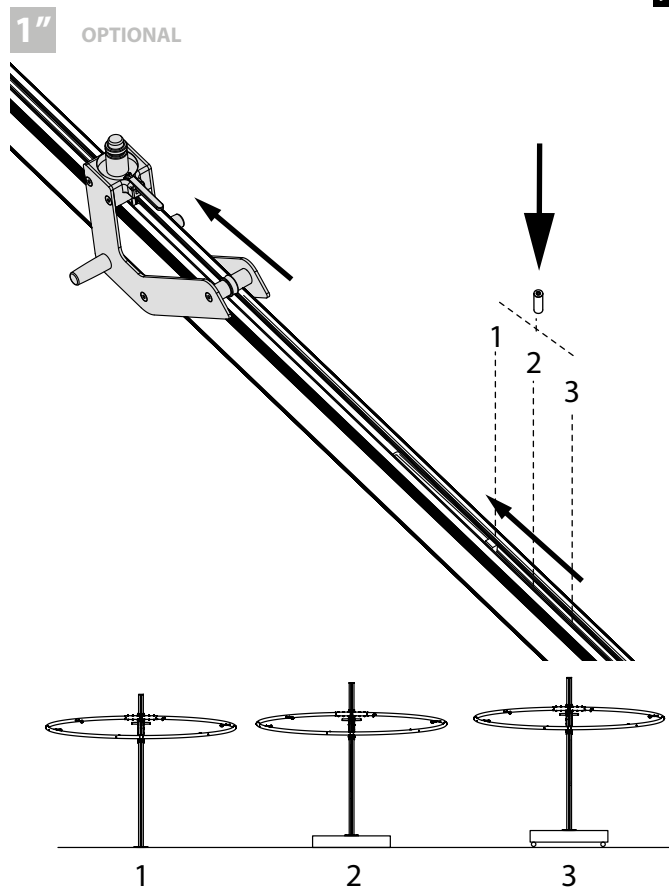
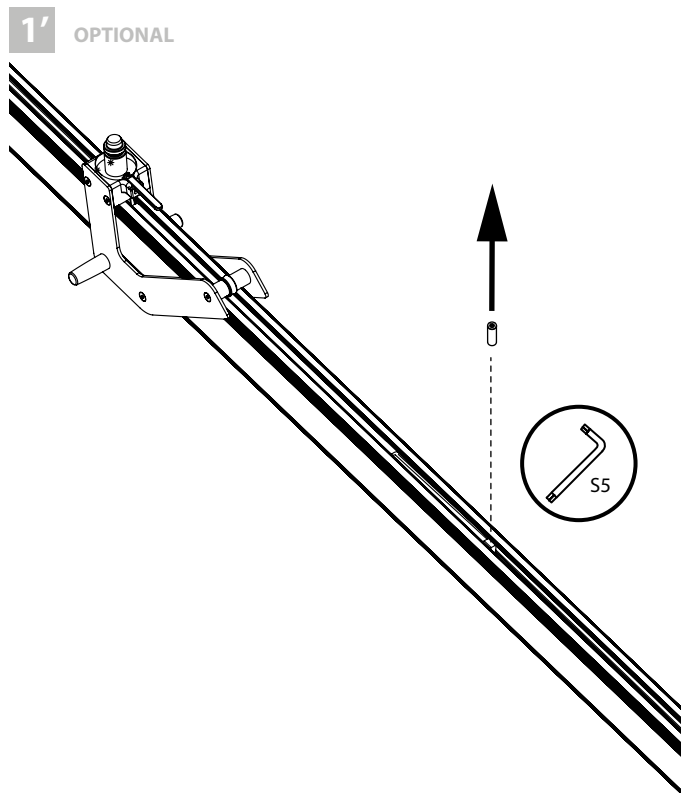
MAKEY00060

S6



UMFIXS140G88

ECLIPSUM INSTALLATION



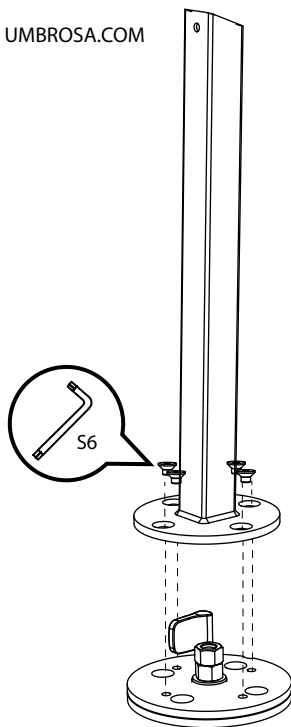
ECLIPSUM INSTALLATION



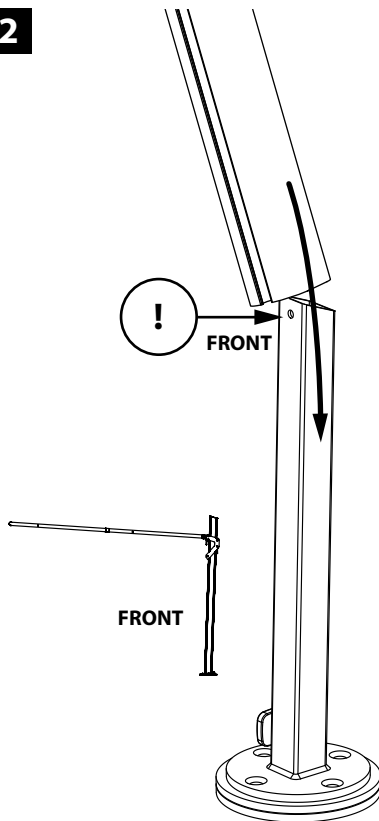
1



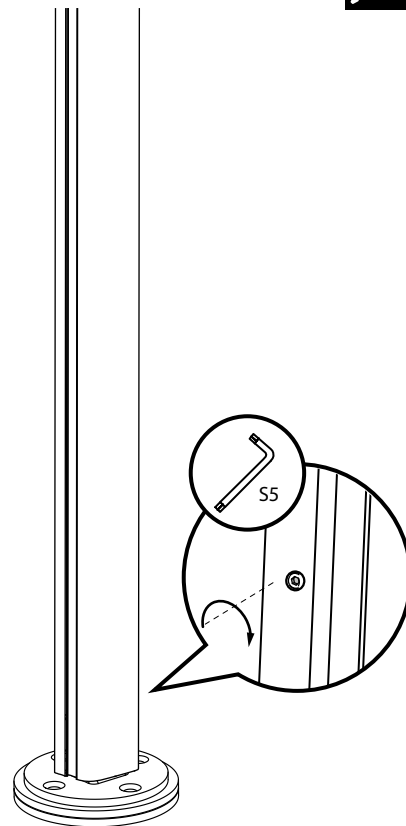
UMBROSA.COM



2



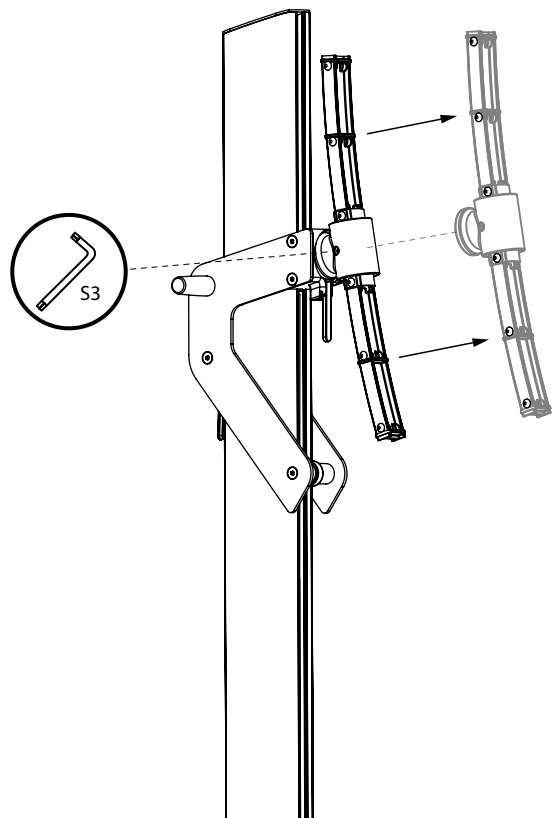
3



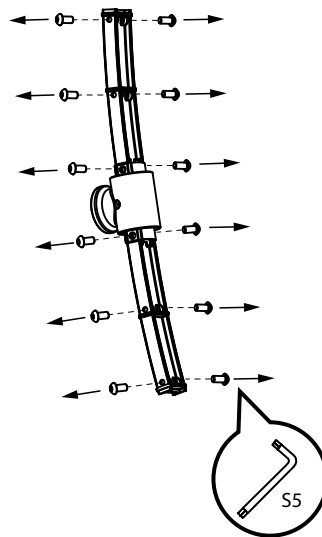
ECLIPSUM INSTALLATION



4

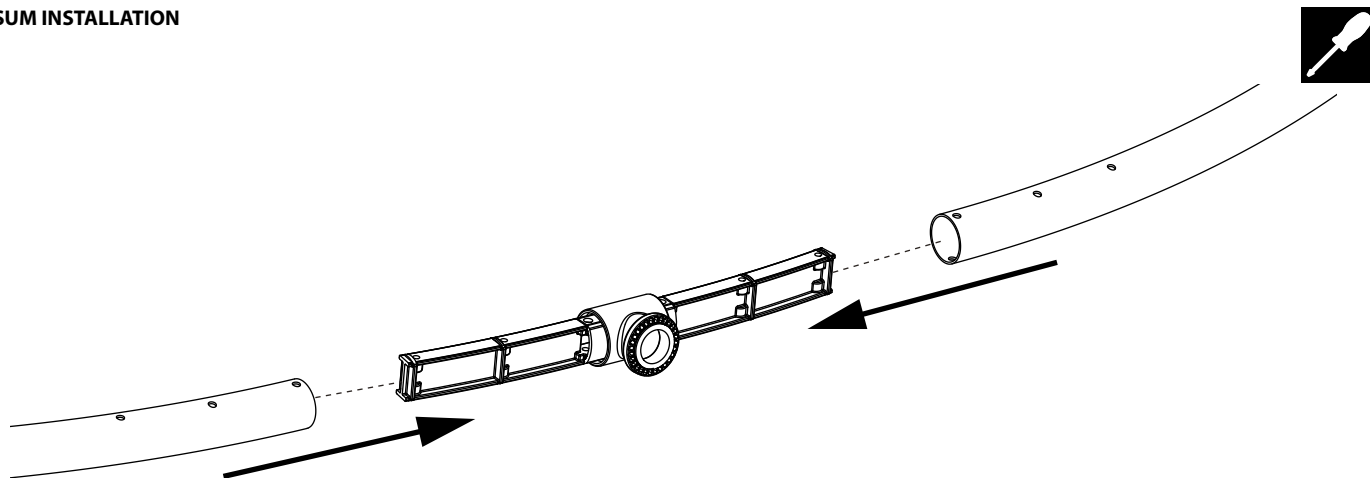


5

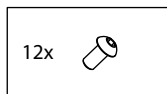


ECLIPSUM INSTALLATION

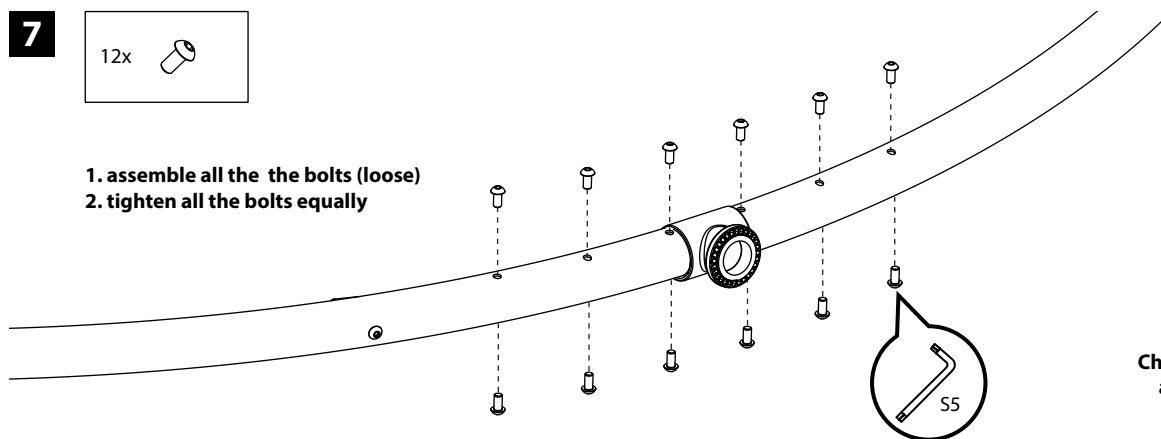
6



7



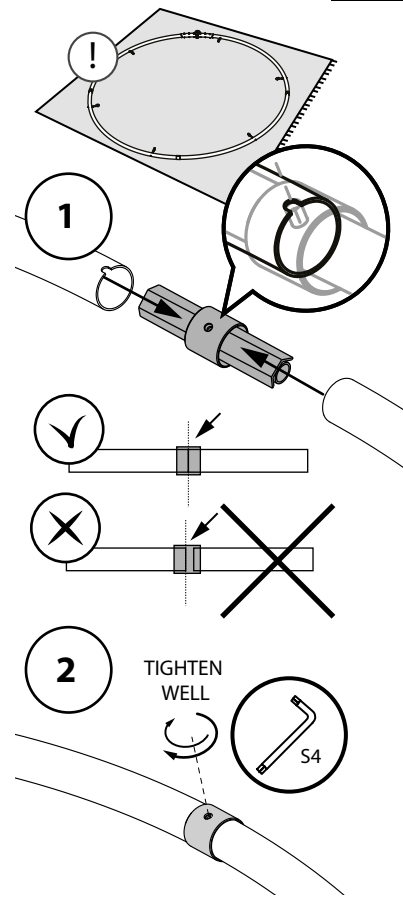
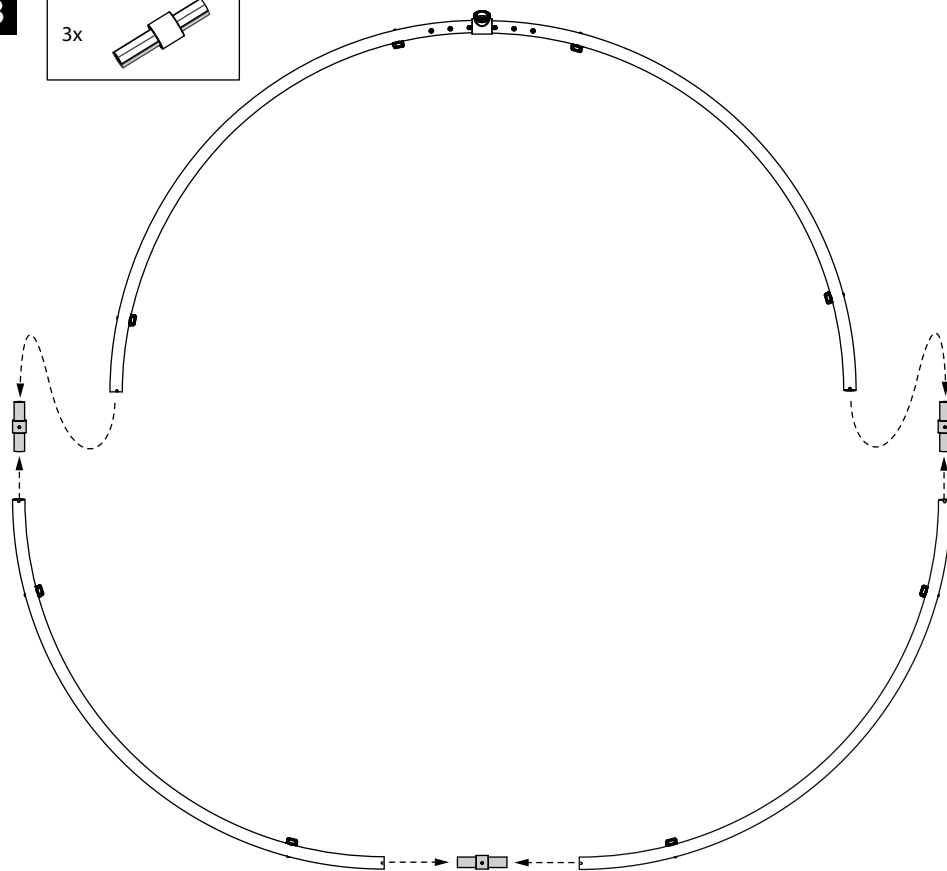
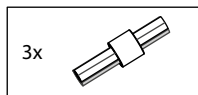
1. assemble all the the bolts (loose)
2. tighten all the bolts equally



Check bolts every 3 months
and tighten when loose

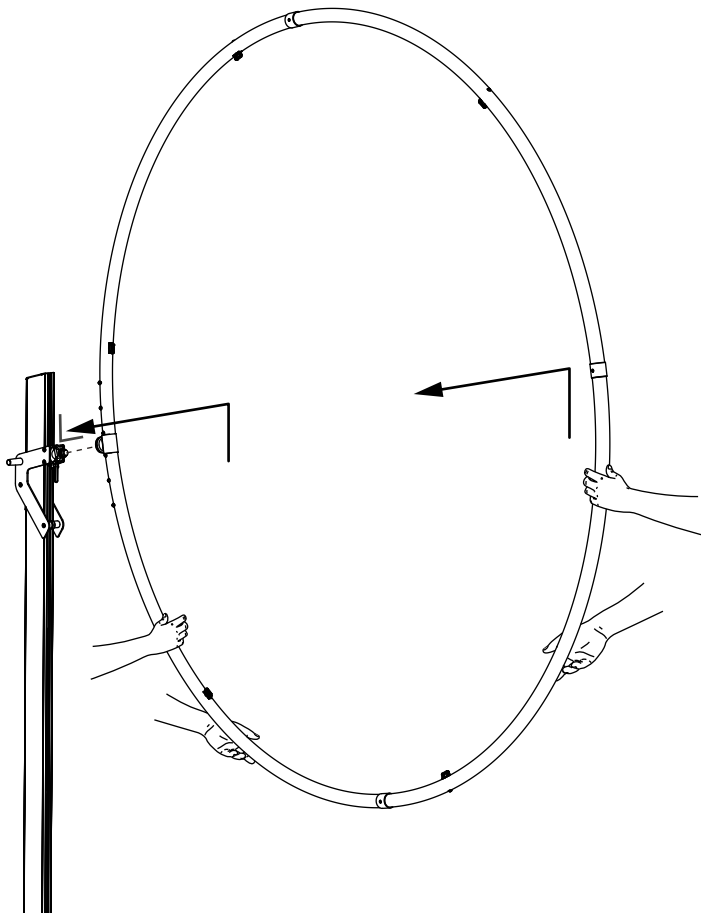
ECLIPSUM INSTALLATION

8

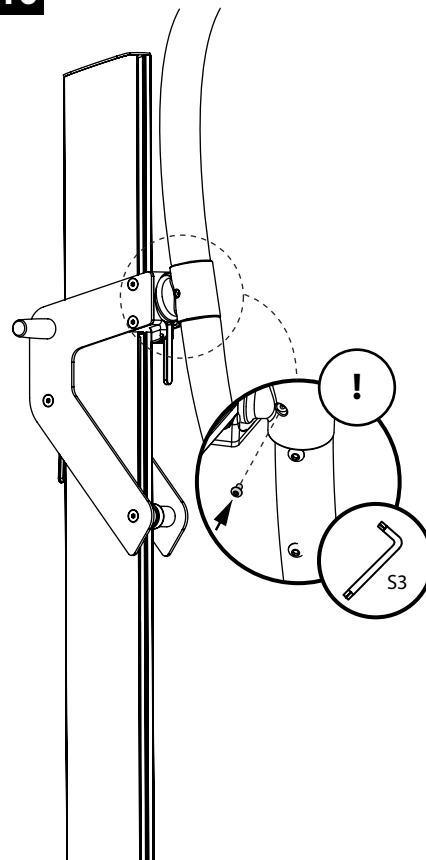


ECLIPSUM INSTALLATION

9

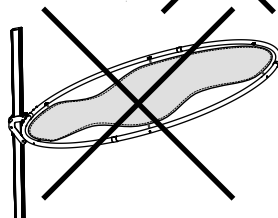
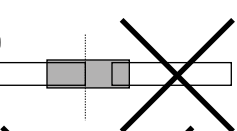
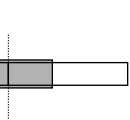
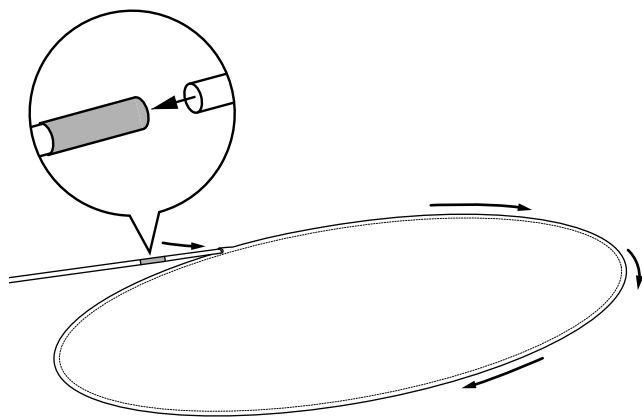
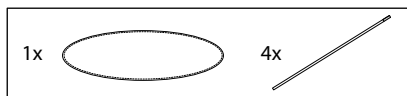


10

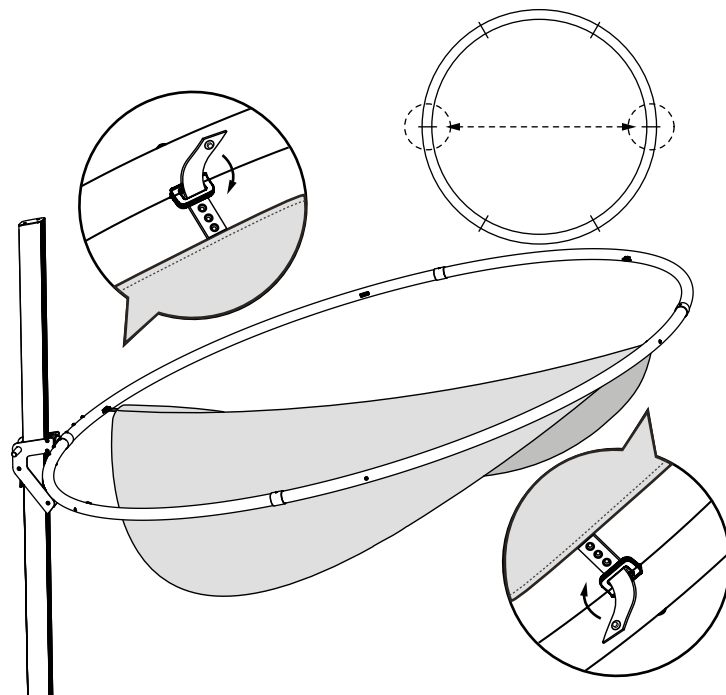


ECLIPSUM INSTALLATION

11

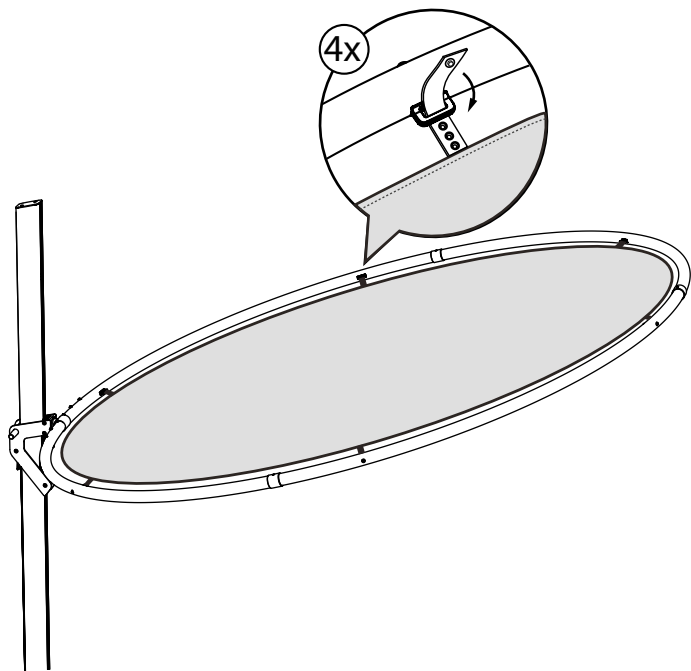


12

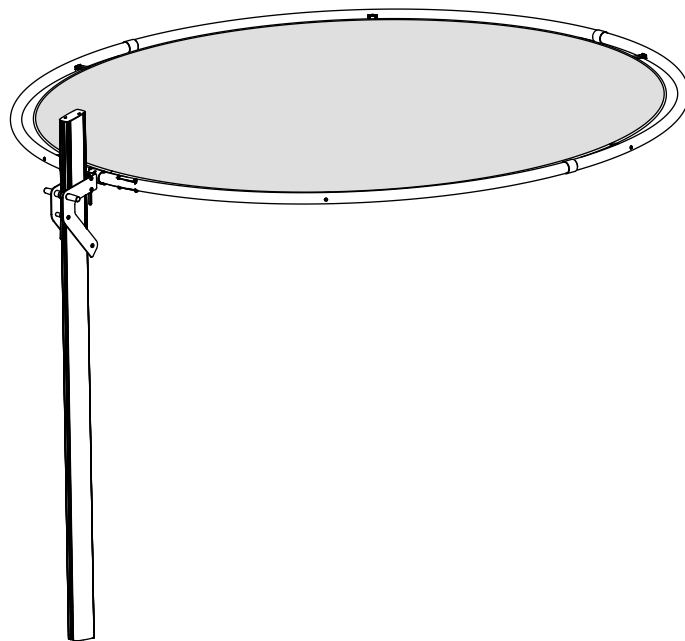




13



14



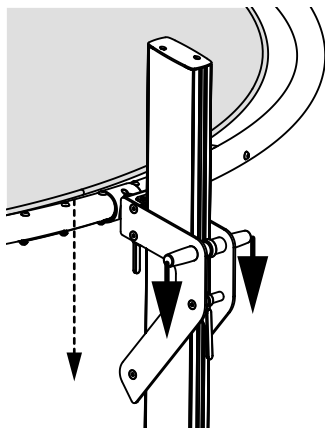
ECLIPSUM USER INSTRUCTIONS



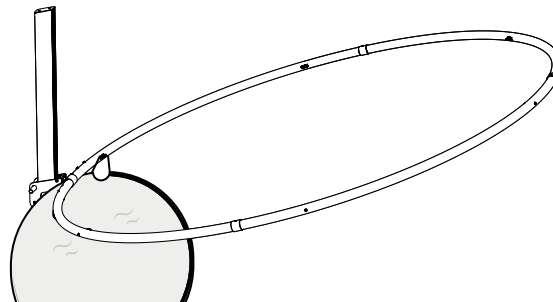
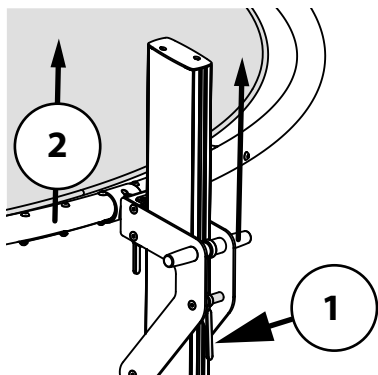
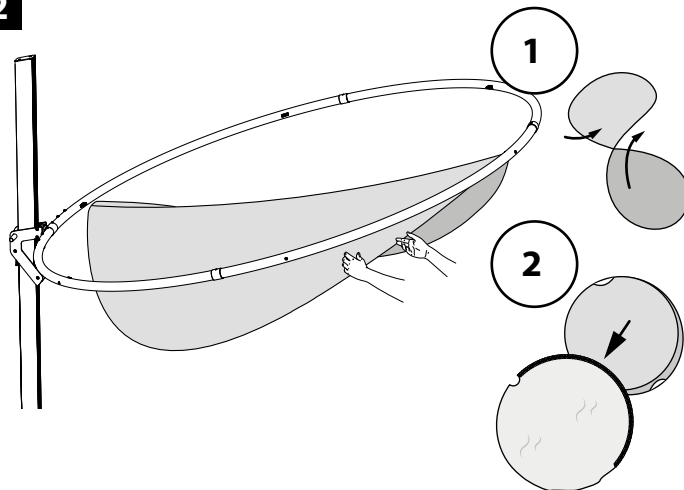
1



UMBROSA.COM



2



CAUTION: Do not use tilt function during winds.

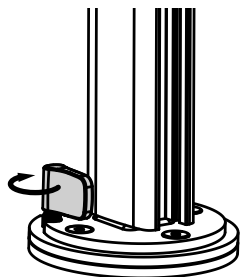
Doing so may cause damage to your umbrella. Canopy can only be closed safely when it is not tilted.

CAUTION: Never force the ribs.

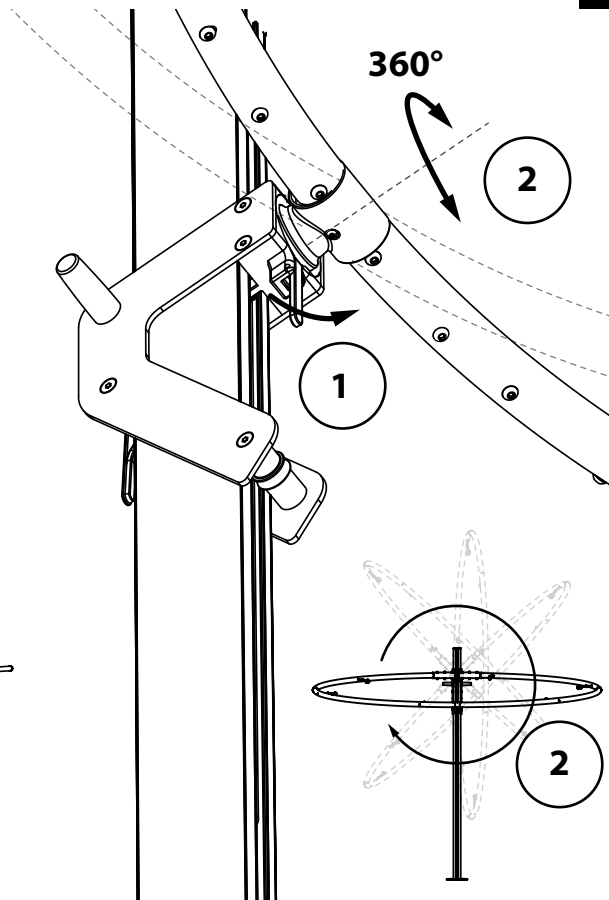
If you experience any resistance, make sure all ribs are freed manually to facilitate opening.



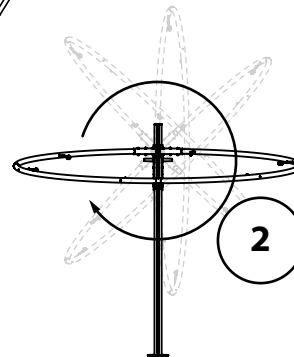
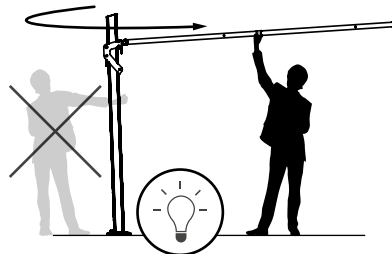
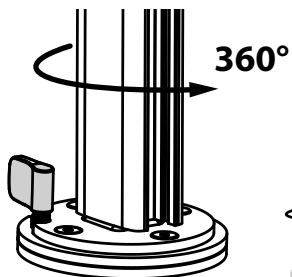
3



4



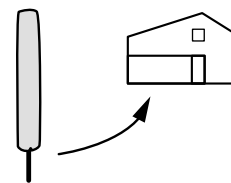
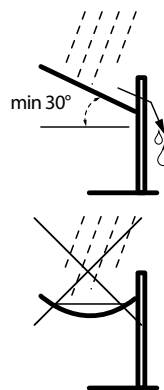
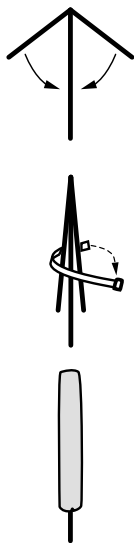
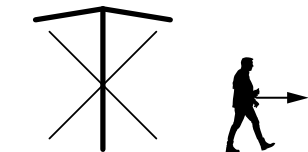
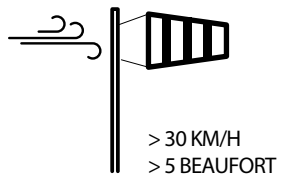
4



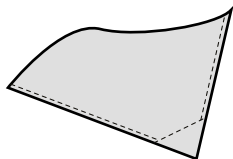
CAUTION: Do not use rotating function during winds. Doing so may cause damage to your umbrella.

CAUTION: Do not use tilt function during winds. Doing so may cause damage to your umbrella. Canopy can only be closed safely when it is not tilted.

TIPS



MAINTENANCE



ENG [Maintenance instructions on website](#)
NL [Onderhoudsinstructies op webpagina](#)
FR [Nettoyage et guide d'entretien sur le site web](#)
DE [Pflegehinweise auf der Webseite](#)
ES [Instrucciones de mantenimiento en el sitio web](#)
IT [Istruzioni di mantenimento sul sito](#)



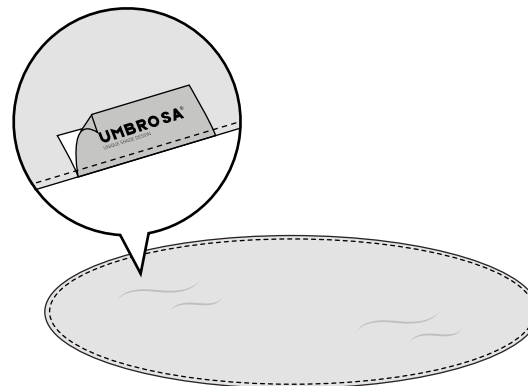
- ENG** In order to **prevent stainless steel from rusting**, it is necessary to treat it frequently and preventatively. Umbrosa recommends cleaning and protecting the surface regularly. Cleaning can easily be done using standard dishwashing detergents. Afterwards, a protection layer can be applied onto the dry surface with a silicon spray. In an aggressive environment (maritime climate, chlorine, acid rain, aggressive industrial or urban environment) we recommend to clean the surface more frequently. Rust can be removed using a cloth and polishing paste. These kinds of products can be bought in do-it-yourself shops, but also in car specialty stores that sell several “stainless steel polishers”.
- NL** **Roestvast staal blijft enkel vrij van corrosie**, wanneer deze goed en preventief wordt behandeld. Umbrosa raadt bijgevolg aan om regelmatig het oppervlak te reinigen en beschermen. Reinigen kan eenvoudig met warm water met afwasmiddel zoals “Dreft”. Nadien brengt u op het droge oppervlakte een bescherm laag aan met bijvoorbeeld Silicone spray. In een agressieve omgeving (maritiem klimaat, chloor, zure regen, agressieve industriële of stedelijke omgeving), dient men de frequentie van dit preventief onderhoud op te drijven. Wanneer lichte roest zichtbaar is, dient deze te worden verwijderd met doek en speciale polierpasta. Dergelijke producten zijn te koop in Doe-het-Zelf zaken, alsook in autospecialzaken waar men verschillende “stainless steel polishers” verkoopt.
- FR** Pour **éviter que L’acier inoxydable corrode**, c’est nécessaire de traiter la surface régulièrement. Umbrosa conseille de nettoyer et protéger régulièrement la surface en utilisant l’eau chaude et un peu de détergent. Après, sur la surface sèche, vous pouvez appliquer une couche de protection avec, par exemple, un spray de Silicone. Surtout dans un environnement agressif (climat maritime, chlore, pluie acide, environnement industriel ou urbaine agressif) nous recommandons de nettoyer fréquemment la surface. Vous pouvez éliminer des éventuelles taches de rouille avec un chiffon et du cirage. Vous pouvez trouver ce type de produits dans des magasins bricolage, mais aussi dans des magasins spécialisés, ou on vend plusieurs “stainless steel polishers”.
- DE** **Edelstahl bleibt nur frei von Korrosion**, wenn dieser gut und Präventiv behandelt wird. Umbrosa empfiehlt regelmäßig die Oberfläche zu reinigen und zu schützen. Reinigung kann problemlos mit warmem Wasser mit Seife. Danach bearbeiten Sie die trockene Oberfläche mit einer Schutzschicht z.B. Silikon spray. In einem aggressiven Umfeld (Seeklima, Chlor, saurer Regen, aggressive Industrie- oder städtischen Umwelt) sollte man diese Behandlung häufig machen. Sichtbaren Rost sollte mit Tuch und spezielle Polierwerkzeuge Paste entfernt werden. Solche Produkte findet man in Baumärkten sowie in Auto Läden wo man verschiedene “Edelstahl Polierer verkauft”.
- ES** **Acero inoxidable sólo permanece libre de corrosión**, cuando esta bien y se trata como una medida preventiva. Umbrosa recomienda de limpiar regularmente la superficie para y proteger. Limpieza puede fácilmente con agua tibia con jabón del plato. Luego, lleva sobre la superficie seca con una capa protectora para por ejemplo spray de silicona. En ambientes agresivos (clima marítimo, cloro, lluvia ácida, agresivo ambiente urbano o industrial), la frecuencia de este mantenimiento preventivo para arriba. Cuando el moho visible, se debe retirar con paño y pasta de pulir especial. Estos productos se venden en ferreterías, así como en tiendas de coches donde uno diferentes vende “pulidores de acero inoxidable”.
- IT** Per **prevenire l’arruginirsi dell’acciaio inox**, è necessario curarlo frequentemente e preventivamente. Umbrosa consiglia di pulire e proteggere frequentemente la superficie. E’ possibile pulire l’acciaio inox con aqua calda e detergente. Dopo aver pulito la superficie, la potete proteggere applicando sulla superficie asciutta uno strato protettivo con, per esempio, lo spray al silicone. In un ambiente aggressivo (clima marittimo, cloro, pioggia acida, ambiente aggressivo industriale o urbano) consigliamo di pulire la superficie più spesso. E’ possibile rimuovere possibili macchie di ruggine con uno straccio e un po’ di lucidante. Questi prodotti sono disponibili in negozi fai da te, ma anche in negozi specializzati (come quelli che vendono i prodotti per pulire le macchine) che vendono vari “stainless steel polishers”.

WARRANTY

KEEP THIS AVAILABLE

1 PROOF OF PURCHASE / AANKOOPBEWIJS / PREUVE D'ACHAT /
KAUFBELEG / JUSTIFICANTE DE COMPRA / PROVA D'ACQUISTO

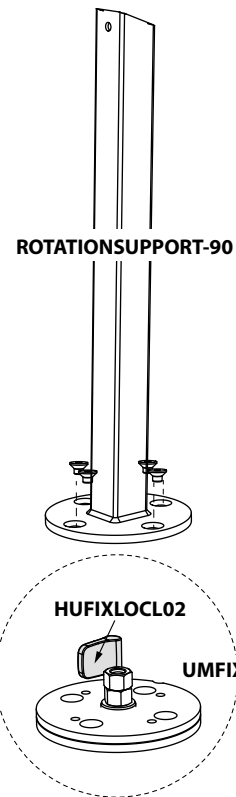
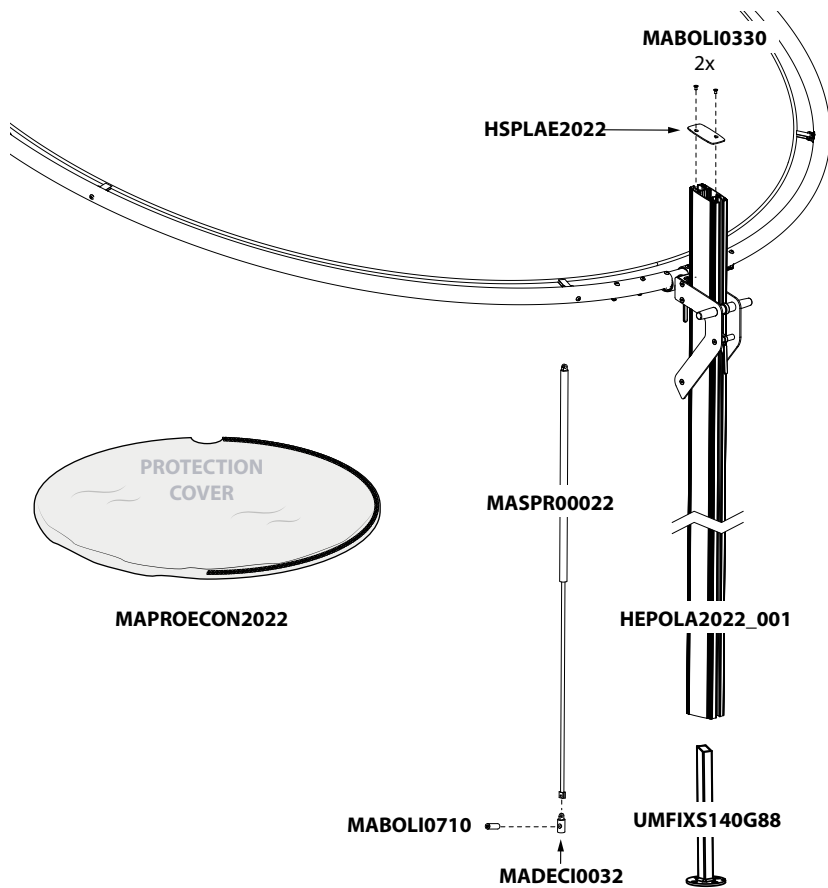
2 SERIAL NUMBER / SERIENUMMER / NUMÉRO DE SÉRIE /
SERIENNUMMER / NÚMERO DE SERIE / NUMERO DI SERIE



ENG [Warranty conditions on website](#)
NL [Garantievoorwaarden op webpagina](#)
FR [Conditions de garantie sur le site Web](#)
DE [Garantiebedingungen auf der Webseite](#)
ES [Condiciones de garantía en el sitio web](#)
IT [Condizioni di garanzia sul sito](#)

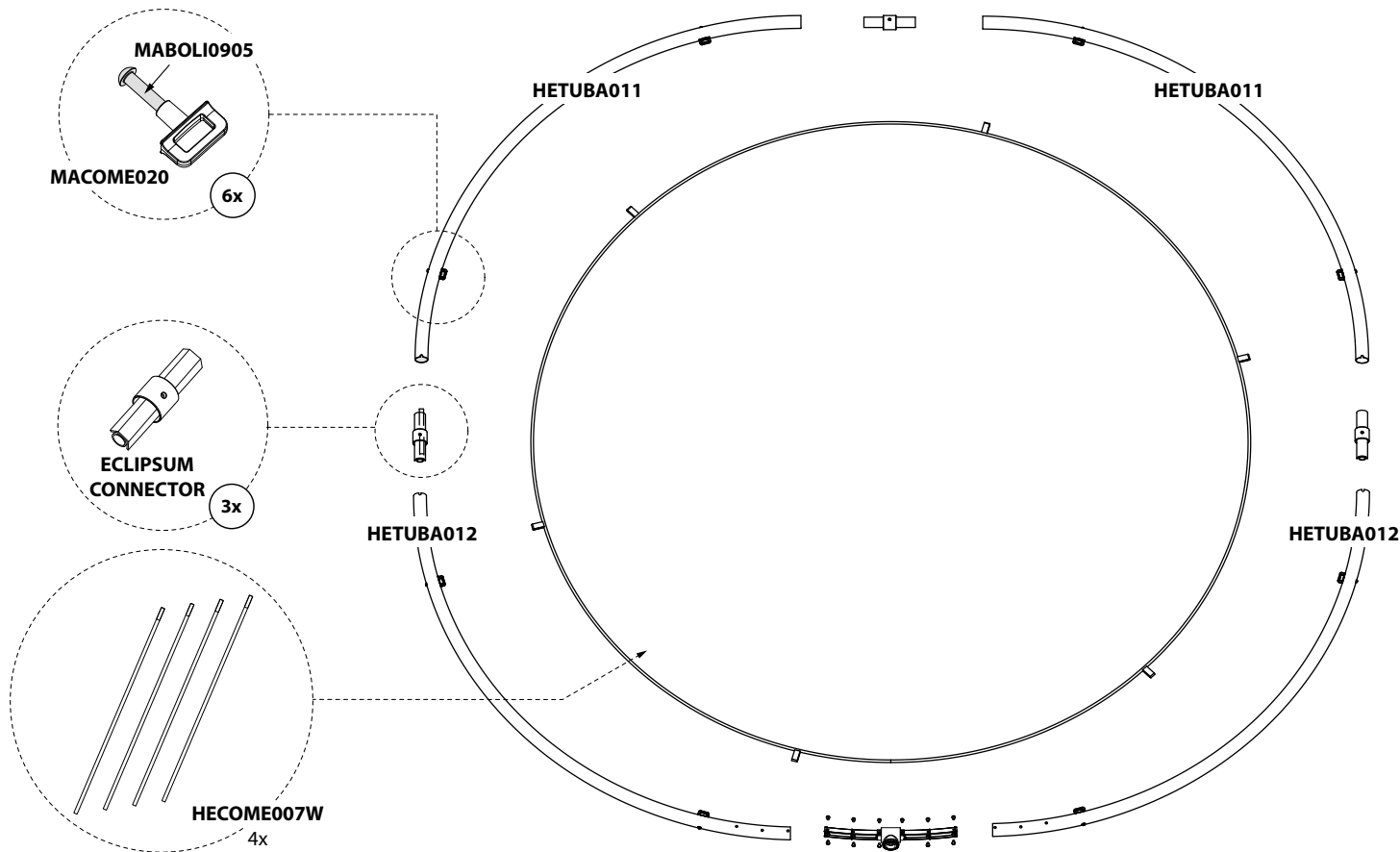
SPARE PARTS

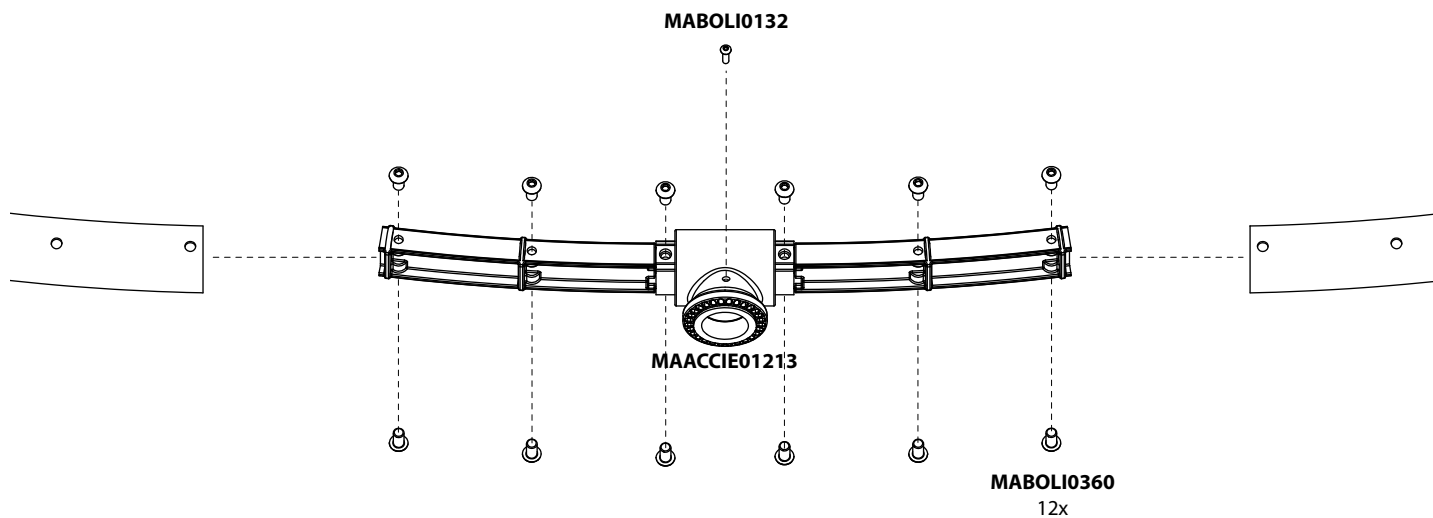
ECLIPSUM



SPARE PARTS

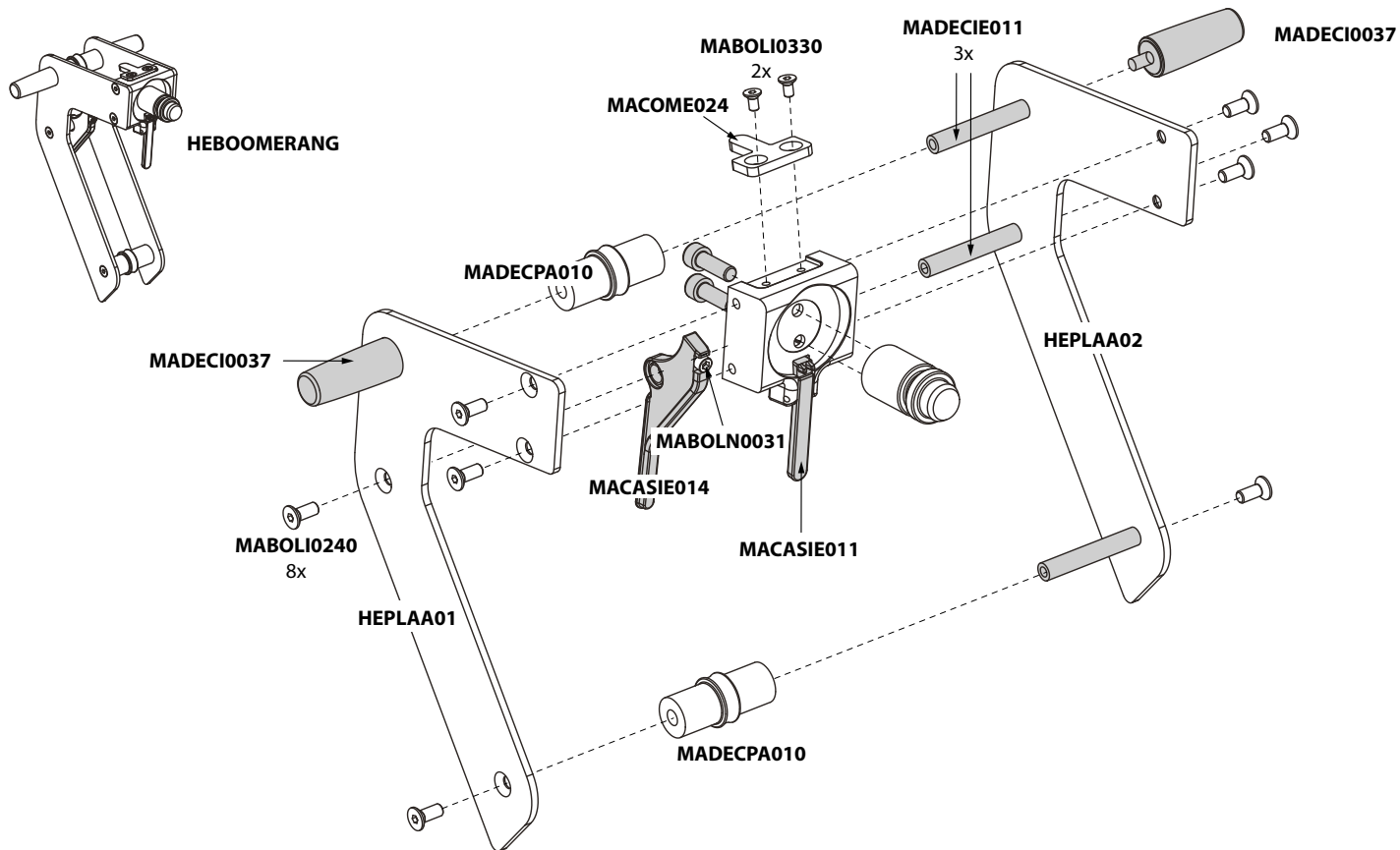
ECLIPSUM





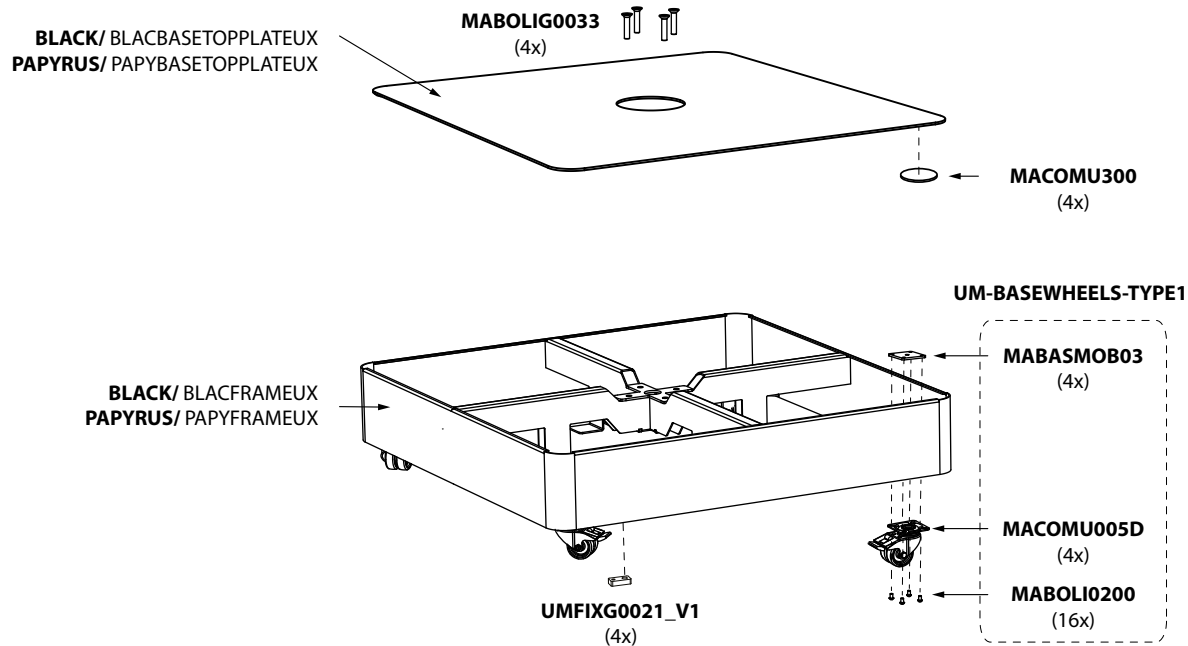
SPARE PARTS

ECLIPSUM



SPARE PARTS

LARGE TILE BASE UX



UMBROSA

UNIQUE SHADE DESIGN

Umbrosa

Beversesteenweg 565 B, 8800 Roeselare, Belgium.

T: +32 51 30.22.60 | F: +32 51 30.22.62 | E: info@umbrosa.com | www.umbrosa.com

Umbrosa Inc

530 7th Avenue, Suite 902, New York, NY 10018

T: (855) 285-6595 | E: info@umbrosa.com | www.umbrosa.com

The content of this document, in particular the mentioned models, is protected by copyrights and/or design rights. The present document and its content is communicated to you for information purposes only. Any partial or total reproduction or any other use without our prior written permission is strictly prohibited. This technical sheet remains subject to possible changes. Of course we do our best to eliminate all mistakes, but Umbrosa is not responsible for the errors in the documentation of products. All measurements are approximate and are provided for informational purposes only.

VERSION 20230612