

## **Cosmo**

### **Dimensions**

H 325 mm x  $\varnothing$  1220 mm

### **Weight**

196 kg

*glamm*<sup>®</sup>  
fire



**INDEX**

1—Material Supplied	4
2—Components	4
3—Safety Instructions	5
3.1— Ventilation	5
3.2—Cautions	5
4—Installation	6
4.1—Flammable materials	6
4.2—Materials: stone/metal/ceramics	6
4.3—Other non-flammable materials	6
4.4—Installation Procedures	7
5—Maintenance	9
6—Overall dimensions	10
7—After Sales Service	10
8— Warranty	10

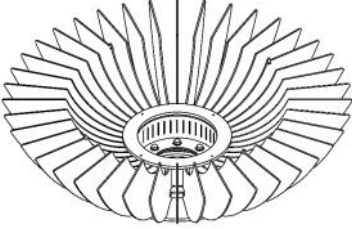
Please read this Instruction Manual carefully before using your decorative fireplace. It contains important operating and maintenance instructions, that should be followed correctly, in order to ensure a durable use of your decorative fireplace.

All presented cautions and warnings must be respected.  
Keep this manual for future reference.

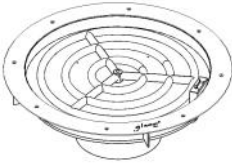
This Instruction Manual is subject to change without notice.

## 1—Material Supplied

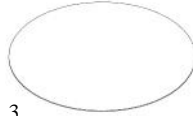
1. Model “Cosmo”;
2. Combustion zone;
3. Base of rubber;
4. High temperature glass;



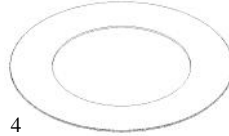
1.



2.



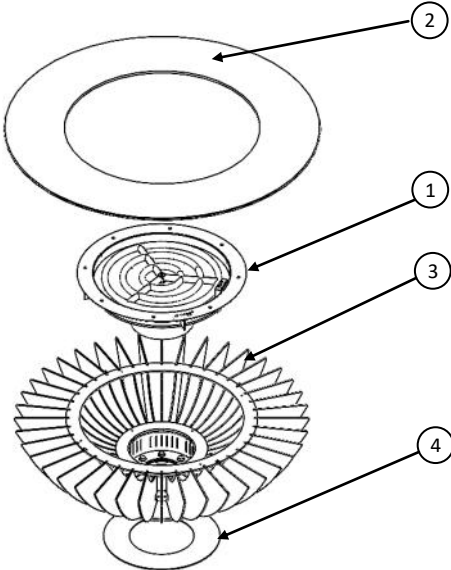
3.



4.

## 2—Components

1. Combustion zone;
2. Tempered glass;
3. Fireplace;
4. Base of rubber



## 3—Safety Instructions

### 3.1—Ventilation

It is recommended that you keep a good ventilation of the area, in order to ensure a healthy level of oxygen.

### 3.2—Cautions:

GlammFire is concerned about your safety, therefore we have taken all necessary consideration for conception, fabrication, assembly and transport, to ensure perfect functioning.

We therefore ask you to thoroughly follow our instructions for assembly, use and maintenance.

- Keep good supervision while your fireplace is in operation;
- Keep children and animals away from the fireplace. Children do not recognize danger. Therefore make sure children are kept at a safe distance;
- Do not use the fire pit/barbecue for internal heating. Carbon monoxide fumes are toxic and can build up causing suffocation;
- Do not blow to the burner when igniting or during normal functioning of the fireplace;
- Make sure that the fire pit/barbecue is installed on a flat and non-combustible surface;
- Before using the fire pit/barbecue, make sure that all parts are correctly installed and properly tightened;
- The fire pit/barbecue is not a commercial appliance;
- The fire pit/barbecue must NOT be used on boats or recreational vehicles;
- Always be careful when using a GlammFire fire pit/barbecue to do so in accordance with all applicable local, state and national codes. Contact your local fire department for details on using these types of appliances;
- **Attention:** During operation, the GlammFire fire pit/barbecue can reach very high temperatures in the combustion and peripheral areas. So, avoid touching them. Areas of potential skin contact can cause burns;
- In case of fire, use a fire blanket;
- Do not use water to extinguish the flame;
- Do not use chemical products to clean the fireplace, as they can damage the materials. In case of doubt, contact the distributor;
- Do not try to move the device during its operation;
- Do not wear flammable or loose clothing when using the GlammFire fire pit/barbecue, this situation can lead to very dangerous situations for the user.
- Do not use the GlammFire fire pit/barbecue in dangerous conditions;

- Do not use the GlammFire fire pit/barbecue near cars, trucks, recreational vehicles, or any other type of vehicle;
- Never ignite with gasoline or any other equally flammable liquid;
- Make sure the GlammFire fire pit/barbecue cools down completely before cleaning it;
- After a period of storage and/or non-use, check the conditions of the GlammFire fire pit/barbecue and do not use it until you certify that it is clean and in perfect working order.

## 4—Installation

The surface on you want to install the burner should be as level as possible.

### 4.1—Flammable materials

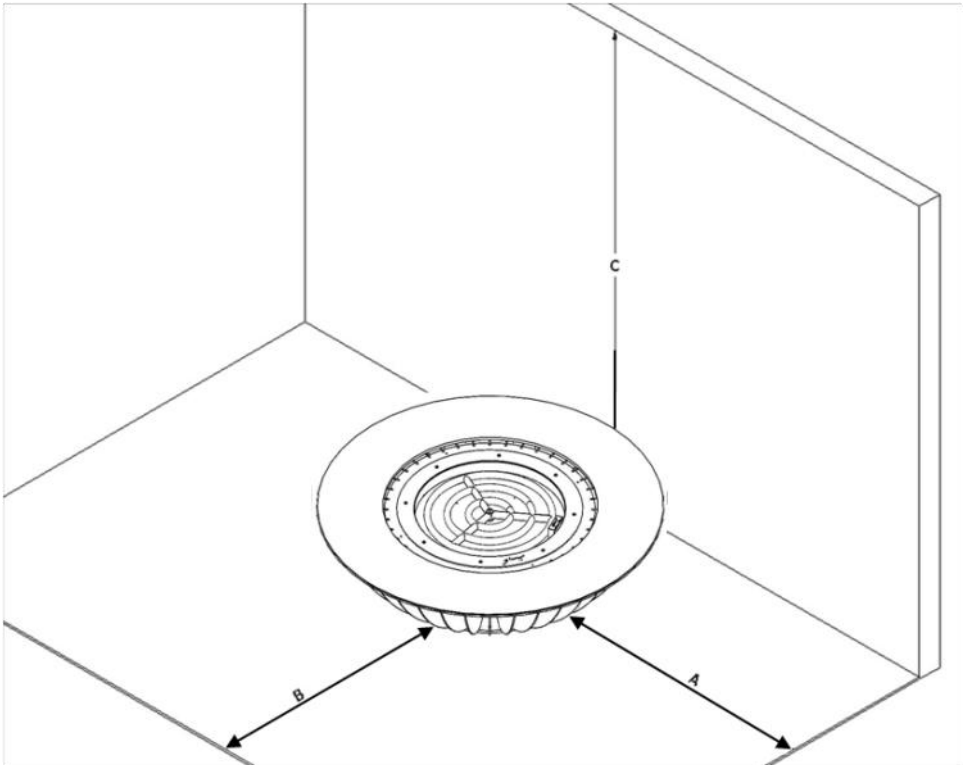
- Do not place flammable materials near the fireplace, within 1m;

### 4.2—Materials: stone/metal/ceramics

- A - 100 mm;
- B - 100 mm;
- C - 500 mm;

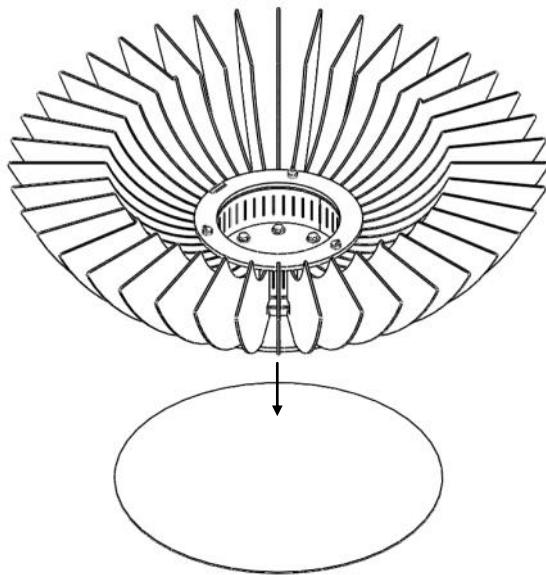
### 4.3—Other non-flammable materials

- A - 200 mm;
- B - 250 mm;
- C - 600 mm;

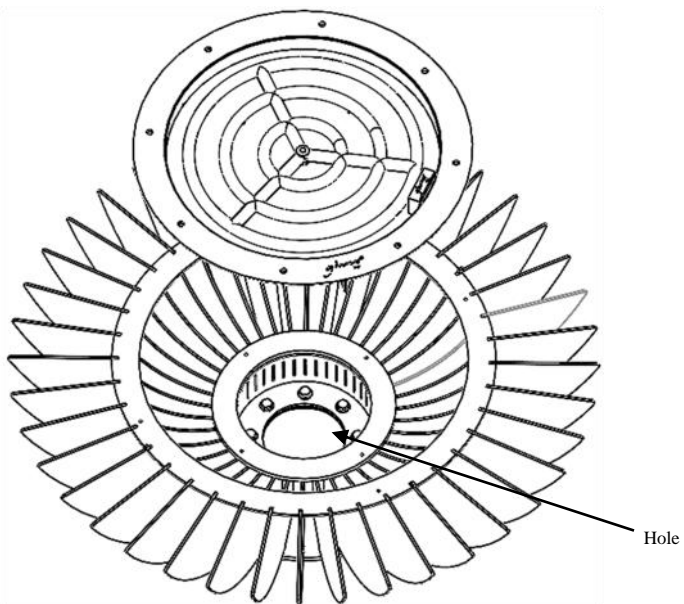


#### 4.4—Installation Procedures

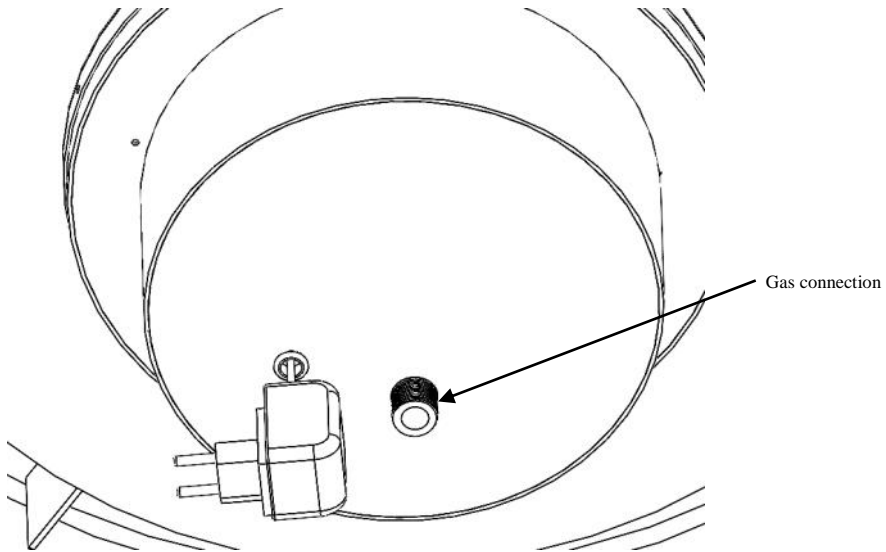
Place your fireplace in the chosen location not forgetting the rubber base.



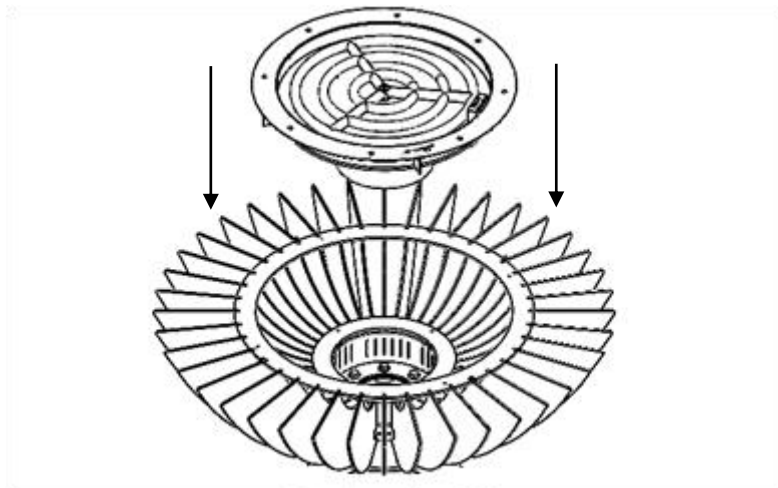
Remove the combustion zone to make a connection to the combustion zone and gas connection through the hole.



Connect the gas as in the picture.

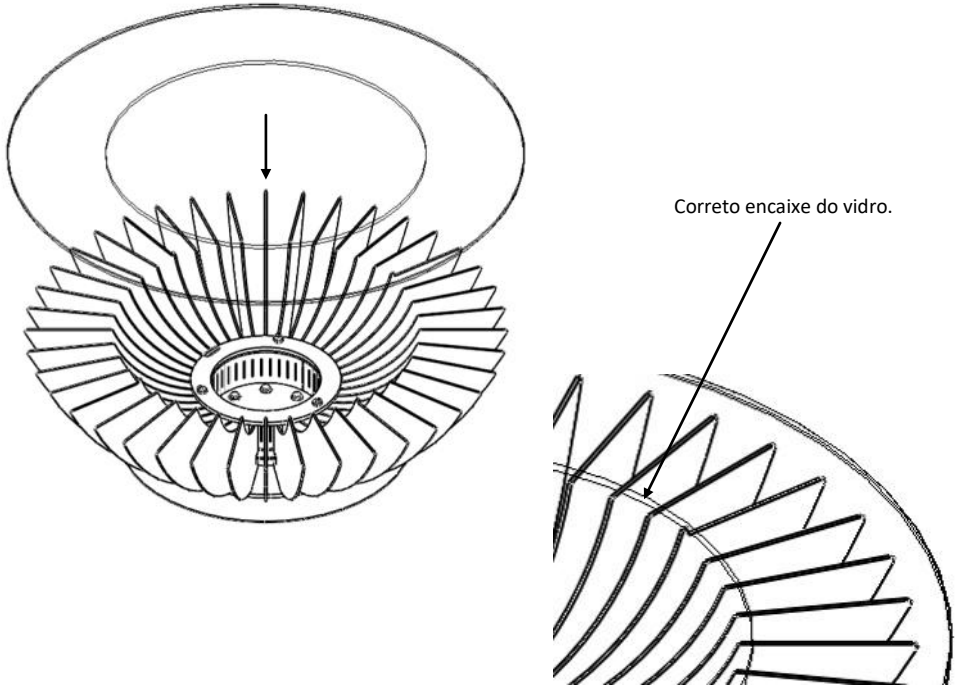


Place combustion zone





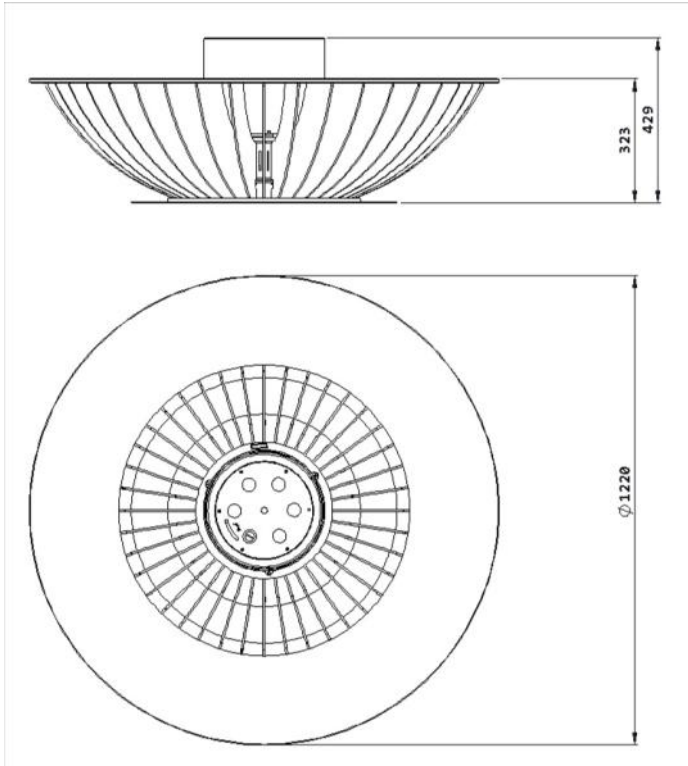
Install the glass with the help of the notches, so that it is fixed;



## 6—Maintenance

- The burner should be cleaned regularly, with a wet cloth. The safety casing should be regularly cleaned to prevent accumulation of bioethanol due to condensation;
- Persistent stains or marks may be removed with a wet cloth with warm water or a mixture of warm water and stainless steel cleaning product;
- We recommend regular cleaning of the stainless steel fireplace, to avoid contamination;
- Never use chemical products, not suitable for stainless steel;
- Do not use steel wool or abrasive materials. The surface of the fireplace may become damaged and scratched;
- The manufacturer will not be liable for any possible damages from fraudulent and/or incorrect use of the product. The manufacturer will not also be liable for the non-compliance of cleaning instructions, as well as use of any other cleaning methods;
- Regularly clean safety casing of the burner;
- **Note:** Non-compliance of above mentioned indications and recommendations terminates all factory warranty in all models and types of fireplace, losing the client the right to demand repair, under the warranty.

## 7—Overall dimensions



## 8—After Sales Service

In case of doubt or any anomaly, do not use the fireplace and please contact a specialized technician.

## 9—Warranty

In order to activate your GlammFire 2 year warranty, please register your new GlammFire product at [www.glammfire.com/en/about/warranty](http://www.glammfire.com/en/about/warranty) or complete your warranty card and return it to us, along with a copy of the proof of purchase, at our address within 30 days of purchase.

All our Bioethanol Fireplaces and Burners, Electric Fireplaces, Fire Pits & Barbecues carry a warranty against defects of manufacture and faulty workmanship for a period of 2 years from the date of purchase.

This warranty does not cover glass replacement, batteries, whose lifespan, regrettably, we cannot predict, damage caused by accident or misuse of the appliance, or the assembly/disassembly not indicated in the instruction manuals. If the product fails during normal and proper use (not considering the above mentioned events) within the warranty period, GlammFire will replace the product free of charge.

Our warranty is offered as an addition to your statutory rights. It is applicable to the original purchaser only, non-transferable. All repairs must only be fitted by an authorised service technician. Use of spare parts other than those supplied by the manufacturer will invalidate the appliance warranty and must only be fitted by an authorised service technician.

**IMPORTANT:** Registering your product does not require proof of purchase, if it will be made on our website, and must be based on the date of purchase. It will be assumed that registration information accurately reflects the information on the proof of purchase which will be required upon servicing of any/all products under warranty.

If the information conflicts, information stated on the proof of purchase will be deemed accurate and true and warranty will be assessed accordingly.

<p><b>Equipment:</b></p>  <p><b>Version:</b></p>  <p><b>Controller:</b></p>	<p><b>Warranty beneficiary:</b></p>  <p><b>Address:</b></p>  <p><b>Tel.:</b></p> <p><b>Availability date:</b></p> <p><b>Local.....Date.....</b></p> <p><b>Signature:</b></p>
<p><b>Series and Guarantee numbers:</b></p>	
<p><b>Distributor code:</b></p>	
<p><b>Name and Address of the Distributor:</b></p>	

The GlammFire is always concerned with the environment. This is reflected when the projection of their products and their packaging. Focusing on the reduction of energy consumption, raw materials, natural resources and quantity of waste generated, GlammFire follows the policy of the 4R's (Reduce, Reuse, Recycle and Recover). Thus GlammFire have in mind the use of long lasting products as well as reusable and recyclable products.

The GlammFire recommend reusing the packaging GlammFire separately and deposit plastic, paper, cardboard and glass in the appropriate collection point.

*"In nature nothing is created, nothing is lost, everything is transformed."*  
 Antoine Laurent de Lavoisier

GlammFire fireplaces are manufactured under the strict Standard of the world recognized ISO 9001:2008 Quality Assurance Certificate.  
 GlammFire products are designed with superior components and materials, assembled by trained craftsmen who take great pride in their work.  
 Once assembled the complete fireplace is thoroughly inspected by a qualified technician before packaging to ensure that you, the customer, receive the quality product that you expect from GlammFire.

*glamm*<sup>®</sup>  
*fire*

Recuperadores Pachinha Lda.  
Zona Industrial da Lagoa,  
Rua da Suíça, nº213  
Lote G1 | 4950-850  
MONÇÃO | PORTUGAL  
Tel(+351) 251 654 800  
Fax(+351) 251 654 801  
info@glammfire.com  
www.glammfire.com