



User Instructions

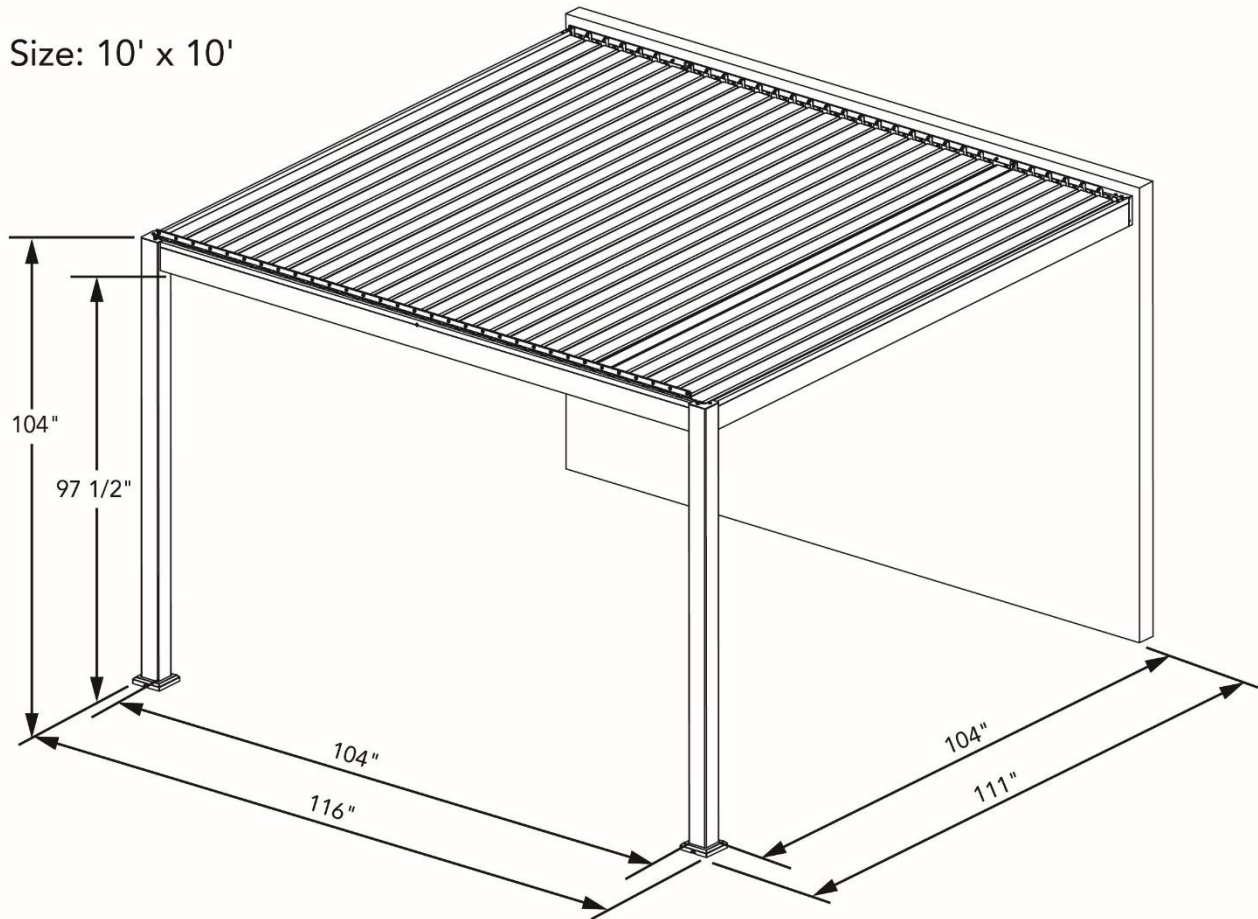
Villa Pergola motorized operation

Size: 10'x10' (300x300 CM)

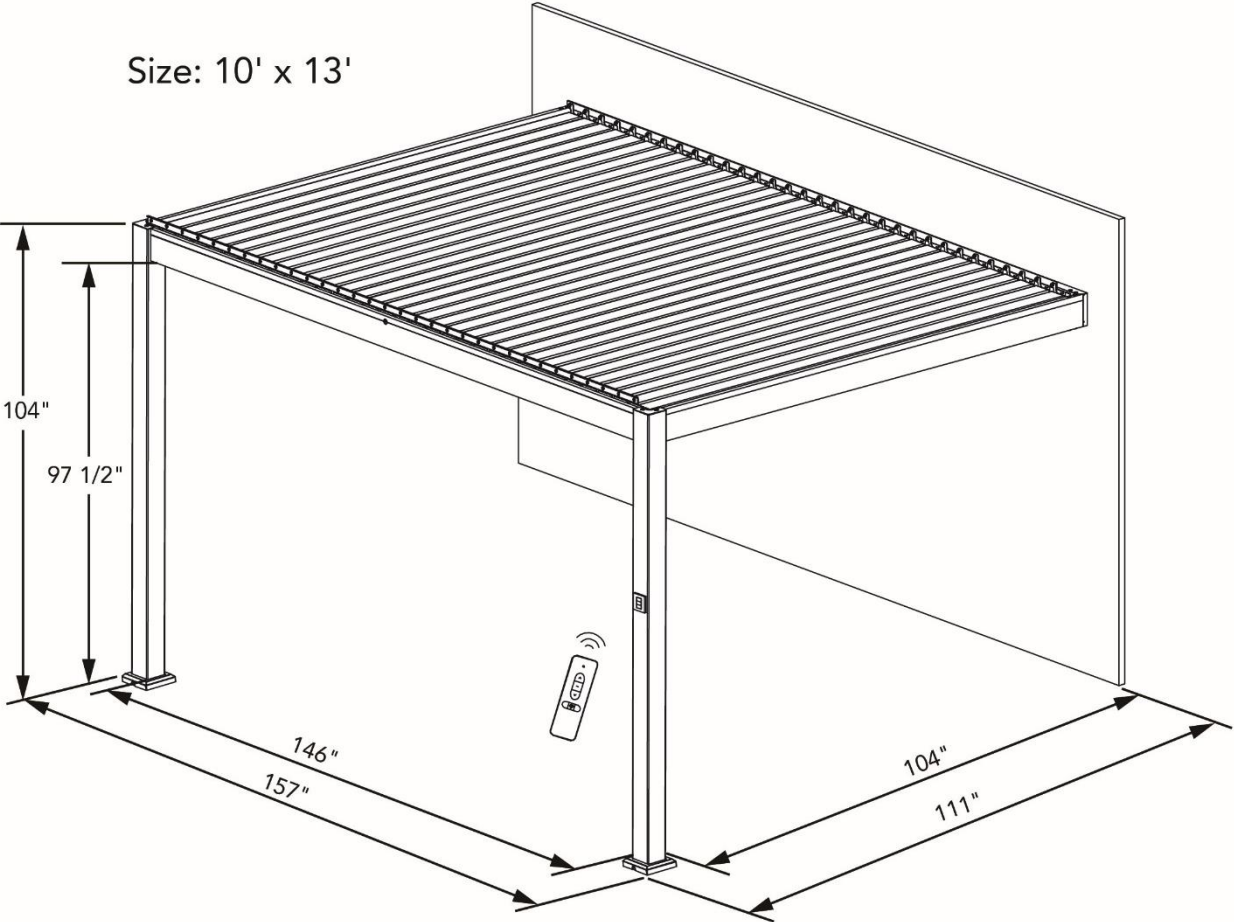
10'x13' (300x400 CM)

13'x13' (400x400 CM)

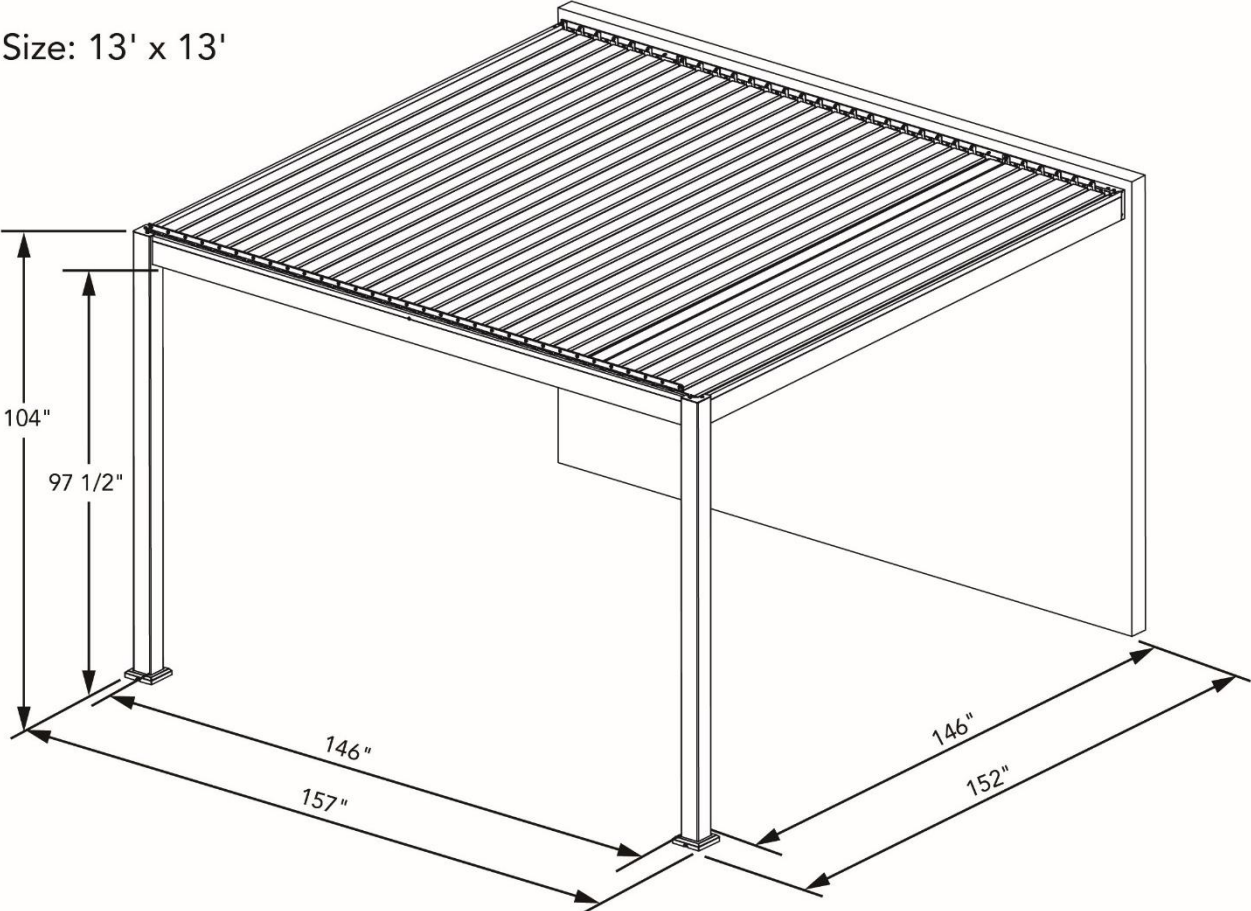
Size: 10' x 10'



Size: 10' x 13'



Size: 13' x 13'



Content

Tools and man force	3
Parts List.....	4-9
Product Description.....	10
Safety Instruction.....	10-11
Mounting.....	12-24
Dismounting.....	25
Storage.....	25
Disposal.....	25



Attention:

**Read this instruction manual carefully and completely before mounting and usage.
Keep this manual for future reference.**

Dear Customer,

Congratulations and welcome to our Villa Pergola family. To enjoy your Villa Pergola for its lifetime and for you and other's safety, please follow the assembly instructions.

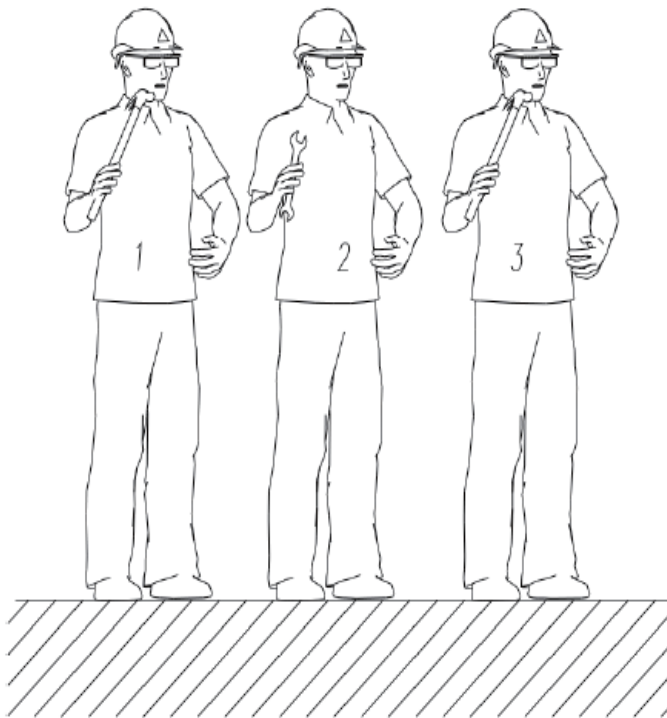
Before you start the assembly process and using the Pergola, we suggest you are best to get familiar with this product. Make sure all parts listed up in below packing lists are delivered and intact. If you find that there are parts missing or damaged, please do not install the pergola but contact us immediately. Do not start the assembly process if parts are missing or defective.




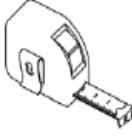



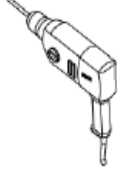
Tools and man force

Recommended: 2 or 3 people

Additional tools:

1. Ladder
2. M10/13 open wrench supplied
3. Rubber mallet
4. Tape measure
5. 5mm hexagon wrench supplied
6. Pencil
7. Spirit level
8. Electric drill

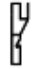





























Parts List


















Please check all parts against the parts list before commencing construction of pergola.

SIZE: 10'x10' or 300X300CM PARTS LIST

(A1)			x1
(B1)			x1
(C1)			x1
(C2)			x1
(D1)			x1
(D2)			x1
(G)			x21
(H)			x1
(I)			x1
(E1)			x1
(E2)			x1
(F1)			x1
(F2)			x1
(J)			x2

Aluminum profile parts list:

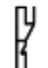



















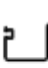







(A1) Beam	(B1) Beam
(C1) Beam	(C2) Beam
(D1) Post + post connector	(D2) Post + post connector
(G) Common Louver	(H) Steering Louver
(I) Strenthen Louver	(E1) Gutter
(E2) Gutter	(F1) Gutter
(F2) Gutter	(J) Steering profile

①	 x 8	⑩	 x 2
②	 x 2	⑪	 x 3
③	 x 2	⑫	 x 3
④	 x 2	⑬	 x 4
⑤	 x 1	⑭	 x 2
⑥	 x 66	⑮	 x 6
⑦	 x 46	⑯	 x 8
⑧	 x 46	⑰	 x 2
⑨	 x 1		

Hardware and other parts:


















① M8x20 countersunk screw	② 50 to 40 connector	③ Base plate
④ Upright cover	⑤ M10 screw cap	⑥ M8x20 Hexagon bolt
⑦ Plastic washer DAP25	⑦ Locking nut	⑨ Motor with motor bracket
⑩ Gutter connector	⑪ wall bracket	⑫ Slider
⑬ L bracket	⑭ Cover plate	⑮ M8X100 Internal anchor
⑯ M8X100 Anchor	⑰ Base plate caps	

SIZE: 10'x13' or 300X400CM PARTS LIST

(A1)			x1
(B1)			x1
(C1)			x1
(C2)			x1
(D1)			x1
(D2)			x1
(G)			x30
(H)			x1
(I)			x1
(E1)			x1
(E2)			x1
(F1)			x1
(F2)			x1
(J)			x2

Aluminum profile parts list:





















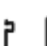

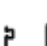





(A1) Beam	(B1) Beam
(C1) Beam	(C2) Beam
(D1) Post + post connector	(D2) Post + post connector
(G) Common Louver	(H) Steering Louver
(I) Strenthen Louver	(E1) Gutter
(E2) Gutter	(F1) Gutter
(F2) Gutter	(J) Steering profile

①		x 8	⑩		x 2
②		x 2	⑪		x 4
③		x 2	⑫		x 4
④		x 2	⑬		x 4
⑤		x 1	⑭		x 2
⑥		x 84	⑮		x 8
⑦		x 64	⑯		x 8
⑧		x 64	⑰		x 2
⑨		x 1			

Hardware and other parts:


















① M8x20 countersunk screw	② 50 to 40 connector	③ Base plate
④ Upright cover	⑤ M10 screw cap	⑥ M8x20 Hexagon bolt
⑦ Plastic washer DAP25	⑦ Locking nut	⑨ Motor with motor bracket
⑩ Gutter connector	⑪ wall bracket	⑫ Slider
⑬ L bracket	⑭ Cover plate	⑮ M8X100 Internal anchor
⑯ M8X100 Anchor	⑰ Base plate caps	

SIZE: 13'x13' or 400X400CM PARTS LIST

(A1)			x1
(B1)			x1
(C1)			x1
(C2)			x1
(D1)			x1
(D2)			x1
(G)			x30
(H)			x1
(I)			x1
(E1)			x1
(E2)			x1
(F1)			x1
(F2)			x1
(J)			x2

Aluminum profile parts list:

(A1) Beam	(B1) Beam
(C1) Beam	(C2) Beam
(D1) Post + post connector	(D2) Post + post connector
(G) Common Louver	(H) Steering Louver
(I) Strenthen Louver	(E1) Gutter
(E2) Gutter	(F1) Gutter
(F2) Gutter	(J) Steering profile

①		x 8	⑩		x 2
②		x 2	⑪		x 4
③		x 2	⑫		x 4
④		x 2	⑬		x 4
⑤		x 1	⑭		x 2
⑥		x 84	⑮		x 8
⑦		x 64	⑯		x 8
⑧		x 64	⑰		x 2
⑨		x 1			

Hardware and other parts:

① M8x20 countersunk screw	② 50 to 40 connector	③ Base plate
④ Upright cover	⑤ M10 screw cap	⑥ M8x20 Hexagon bolt
⑦ Plastic washer DAP25	⑦ Locking nut	⑨ Motor with motor bracket
⑩ Gutter connector	⑪ wall bracket	⑫ Slider
⑬ L bracket	⑬ Cover plate	⑮ M8X100 Internal anchor
⑯ M8X100 Anchor	⑰ Base plate caps	

Product Description

Make the most of your outdoor living area with your pergola. Relax and enjoy the outdoors while being protected from sun. The coated aluminum frame pergola is perfect for shading your garden, deck, courtyard and swimming pool.

Important Safety Instructions

Warning: For the safety of you and other persons it is important to follow below instructions and obey warnings.

Symbol explanation



This warning triangle calls attention to hazards that can lead to death or to severe injuries or which are important for the functioning of the Pergola.



This sign identifies important notes.

Safety instructions



To install this pergola technical knowledge is necessary. Do not mount this pergola yourself but contact a professional workman for help if

- ◆ you are unsure if the pergola can be mounted on the place you chose for installation.
- ◆ you do not understand the instruction manual or parts of it.
- ◆ you do not have necessary tools available.
- ◆ you do not have necessary technical knowledge



A minimum of three healthy adults are required to move and install the pergola as the product is big and heavy. Do not try to install the pergola alone. If the pergola falls, it could cause serious injuries and damages! Contact an authorized assembler for help.



Do not install the pergola when you find damage parts are that parts are missing. Contact your dealer.



Keep children and pets out of the working area during assembly and adjustments.



This product and its fixing parts are only suitable for installation on a plain cement wall or stable brickwork. If the wall/brickwork shows cracks you have to consult a professional.



Nobody is allowed to change the products' design and structure without the permission of manufacture or authorized deputy.



Please make sure that your hands are clean at the time of the assembly; otherwise you may soil frame.



Nobody is allowed to climb onto the Pergola. Hanging anything on the Pergola is forbidden.

Sheeting was used to protect the paint. This must be removed afterwards.

This structure is a non-permanent structure and the warranty does not cover damage incurred under extreme weather conditions including heavy rain, high winds or if exposed to high heat from heaters or BBQs.






Safety precautions should always be followed when assembling and using this product to reduce the risk of personal injury and damage to equipment. Please read all instructions before assembly and use. Never leave children unattended around/under this pergola. Do not attempt to assemble or use the pergola in moderate or heavy wind conditions. Always **keep the pergola louver open** and secure it during heavy winds or extreme weather conditions to avoid damage to the pergola or personal injury.

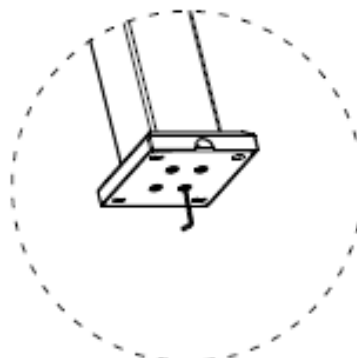
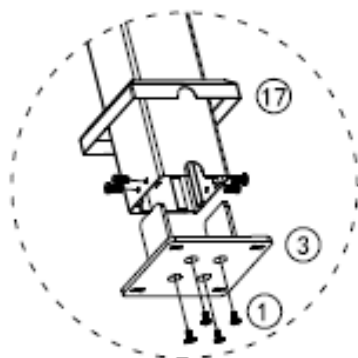
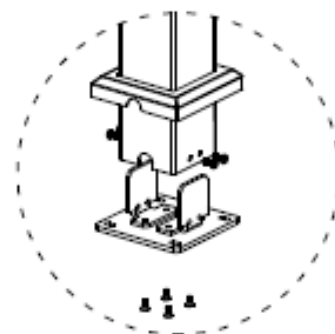
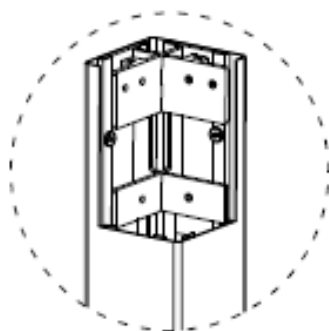
Step 1

Attach base plate ③x2 to the bottom of posts (D1 /D2),use bolts ① x 8 to attach with hex key or electric drill.

D1, D2 posts should be installed diagonally as below.




Please make sure all posts on the same horizontal plane.


① x 8	
③ x 2	
①1 x 1	
①2 x 1	
①7 x 2	

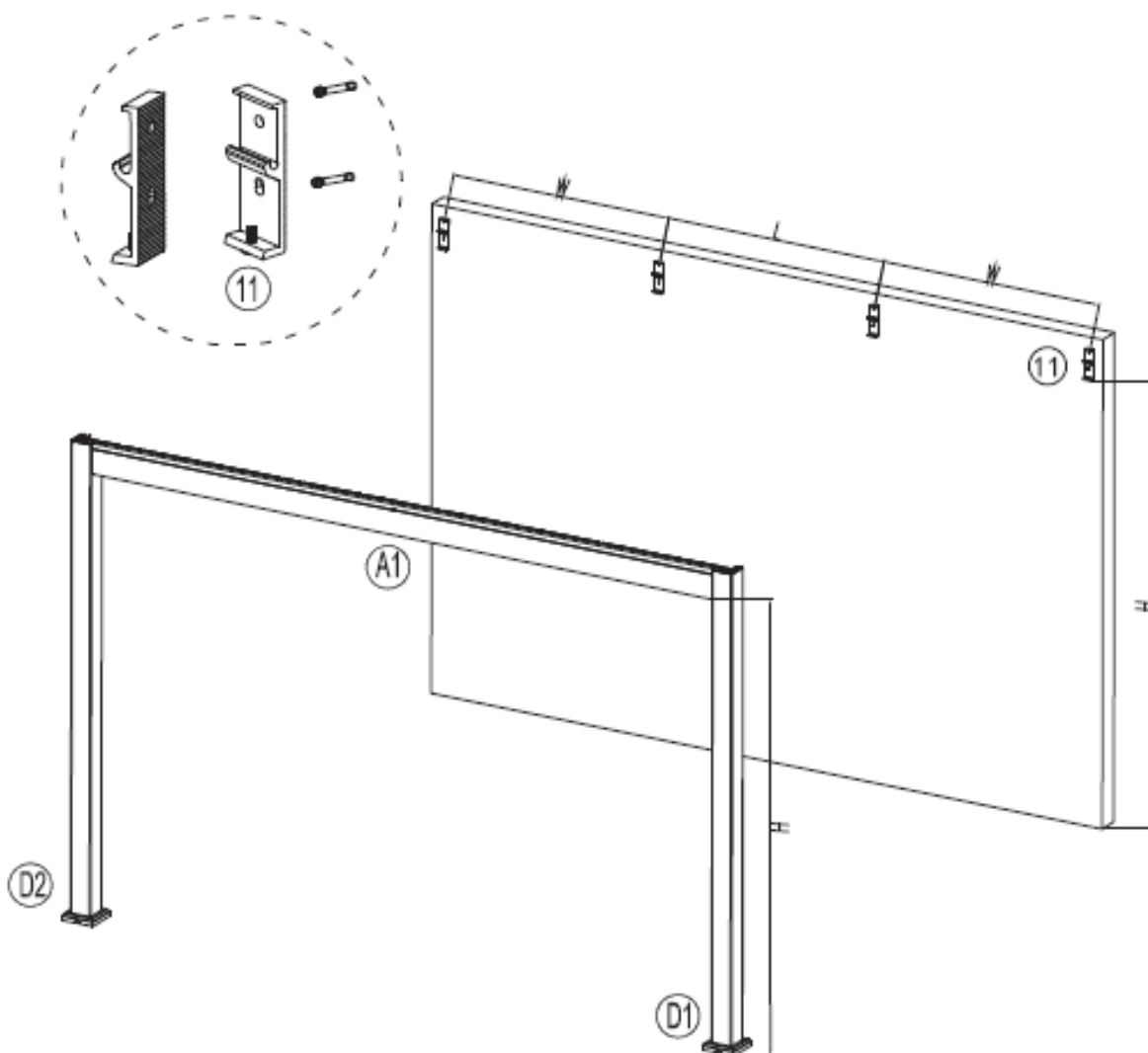


Step 2

According the height of (D1) to measure the height of (11), use anchor to fasten

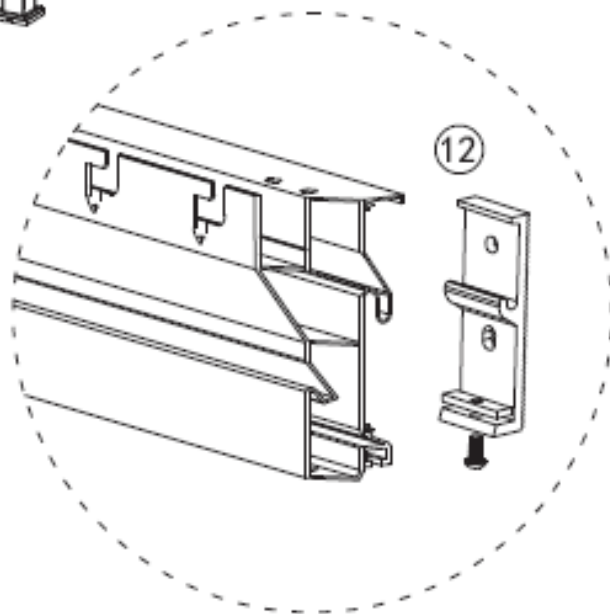
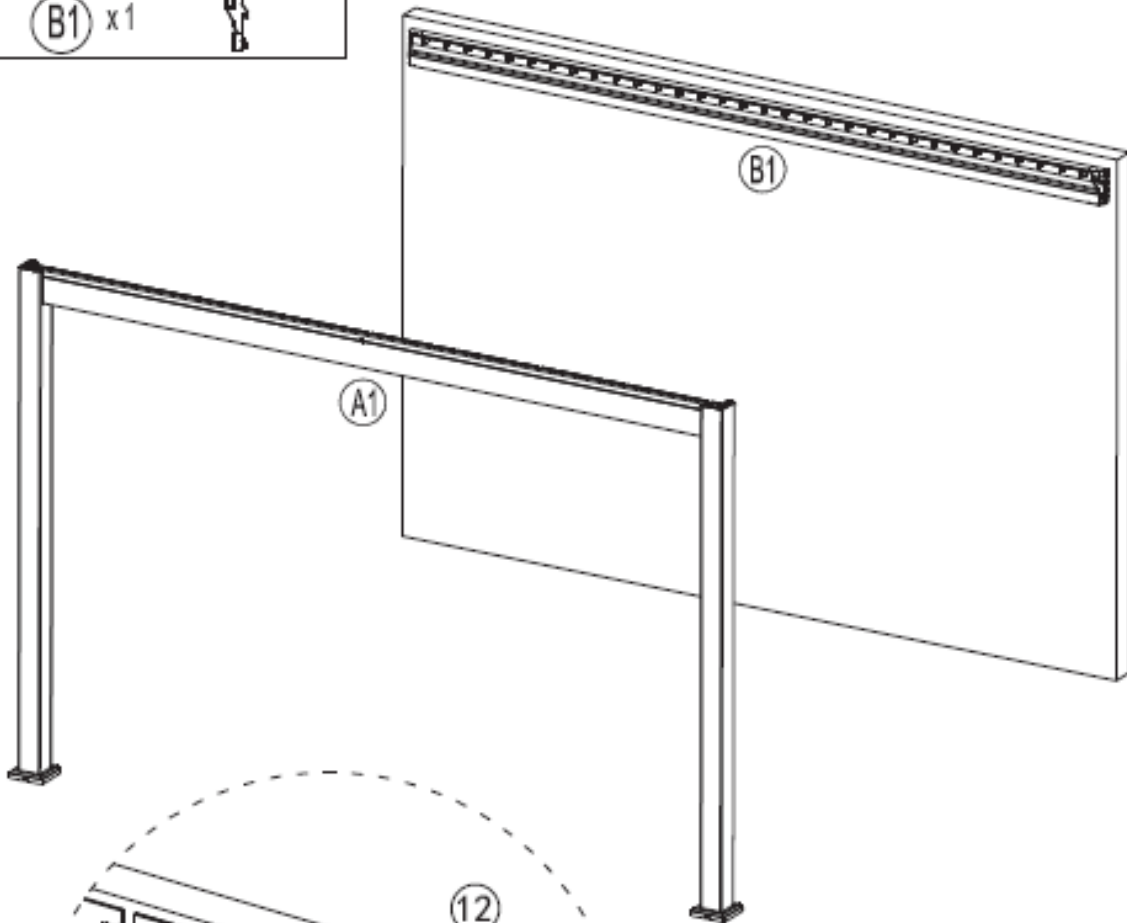
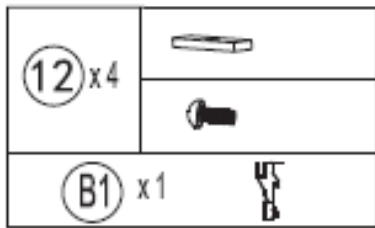
(11) x 4	
(15) x 8	
(A1) x 1	

L=1285			
3945X2785	3905	3	W=1285



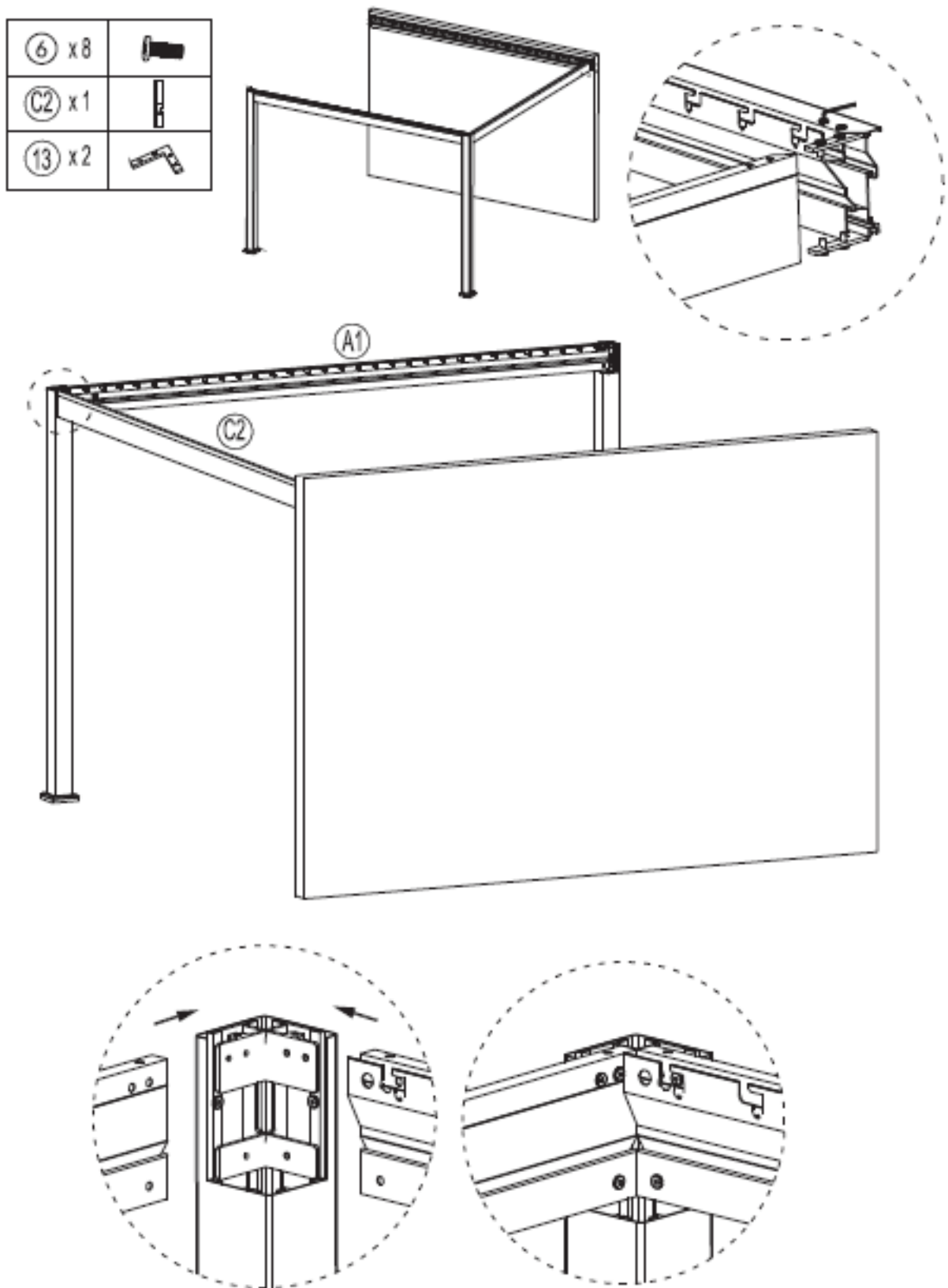
Step3

Use bolts ⑫x4 to fasten beam ⑮1 .





Step 4

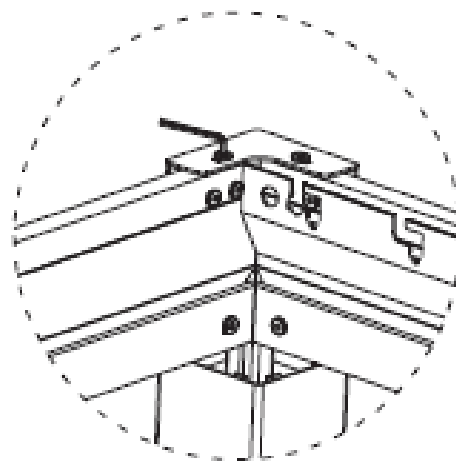
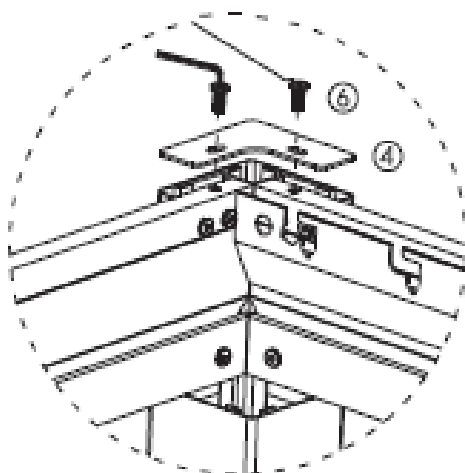
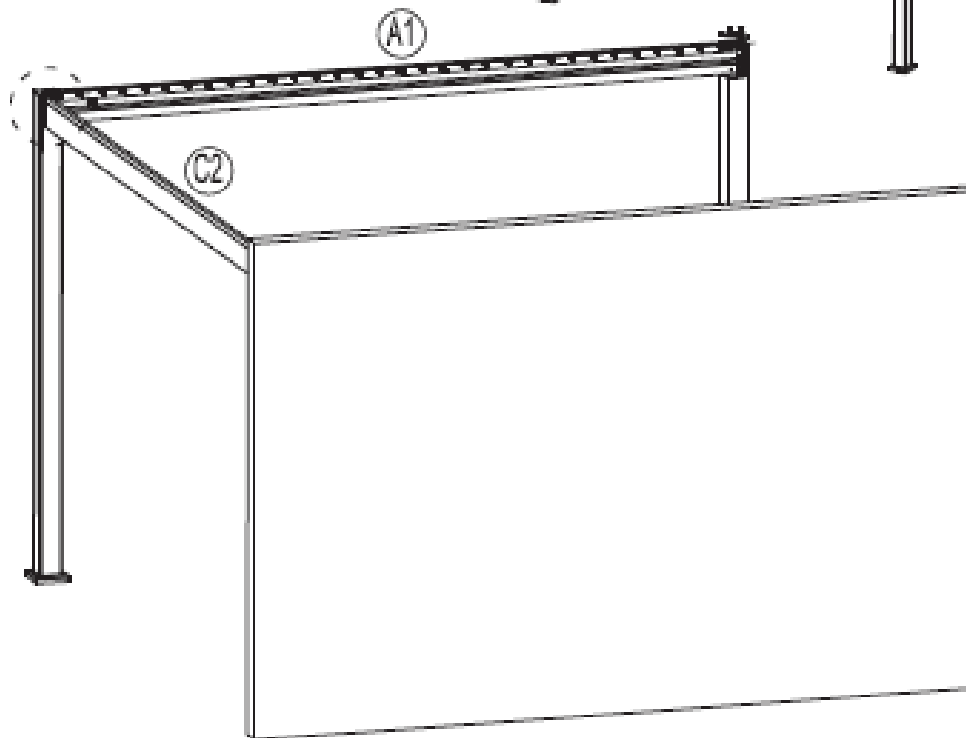
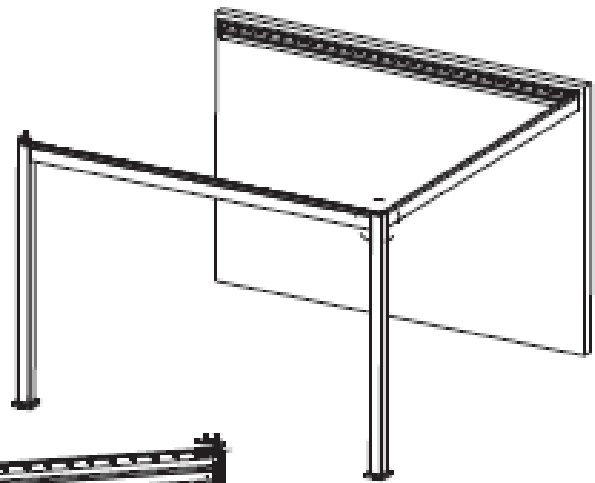
Insert the (A1) / (C2) into (D1), then connect (B1) with (13), fasten the screws.



Step 5






Cover the post with ④ x2, fasten the screws.

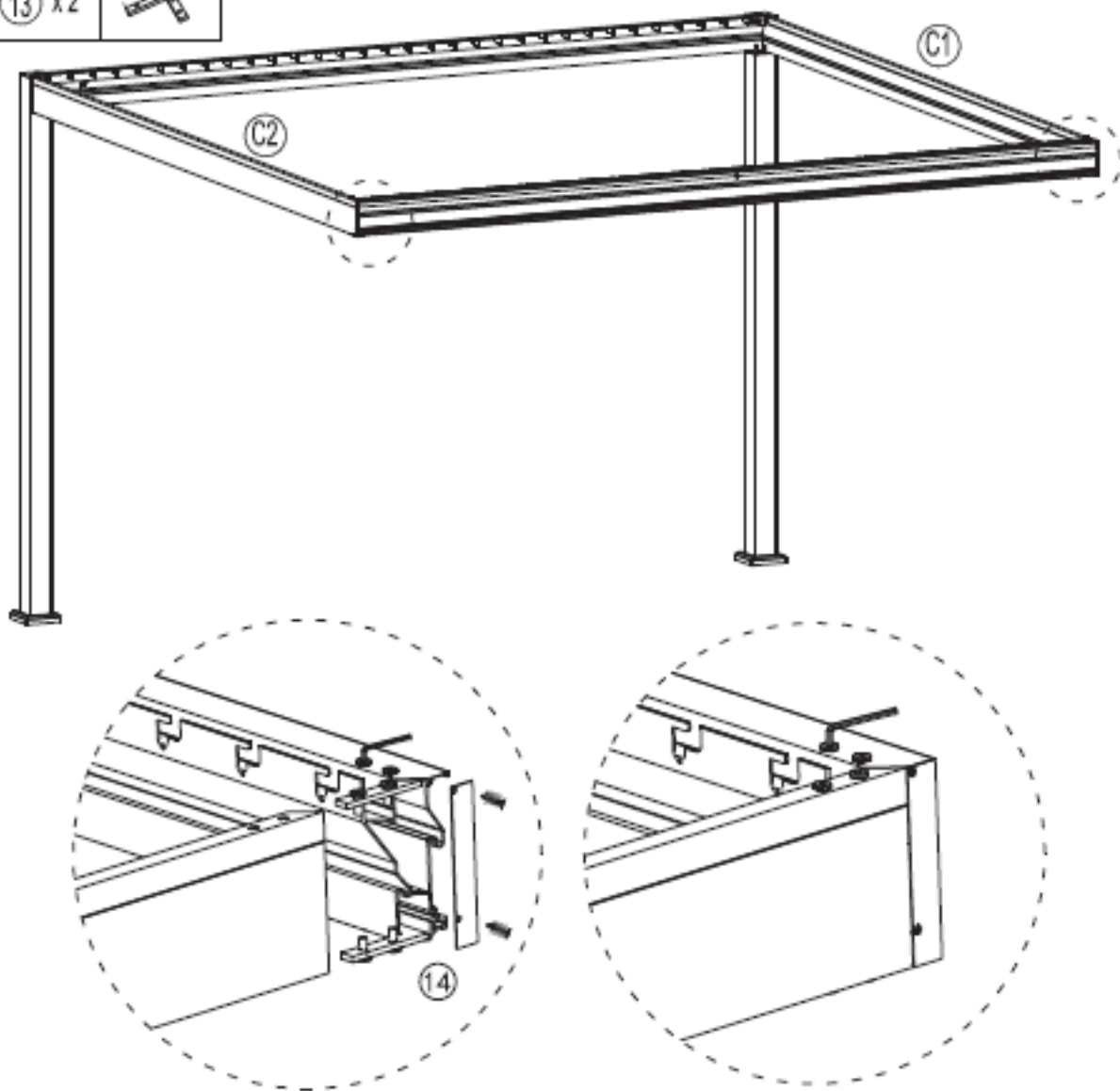
⑥ x4	
④ x2	



Step 6


Connect the C1 and C2 into B1 with 13, fasten the screws. Cover the beam on both sides with 14, fasten the screws

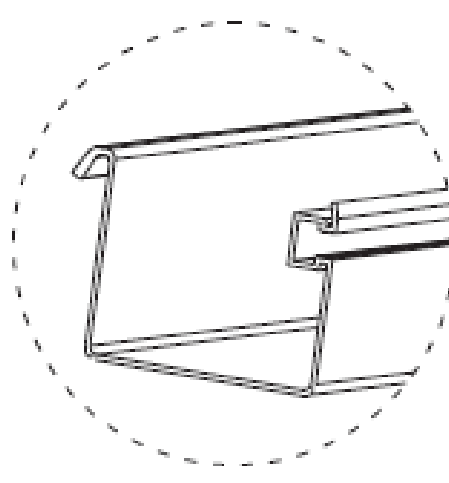
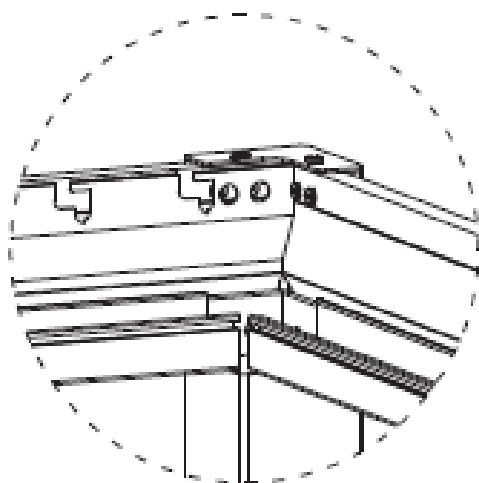
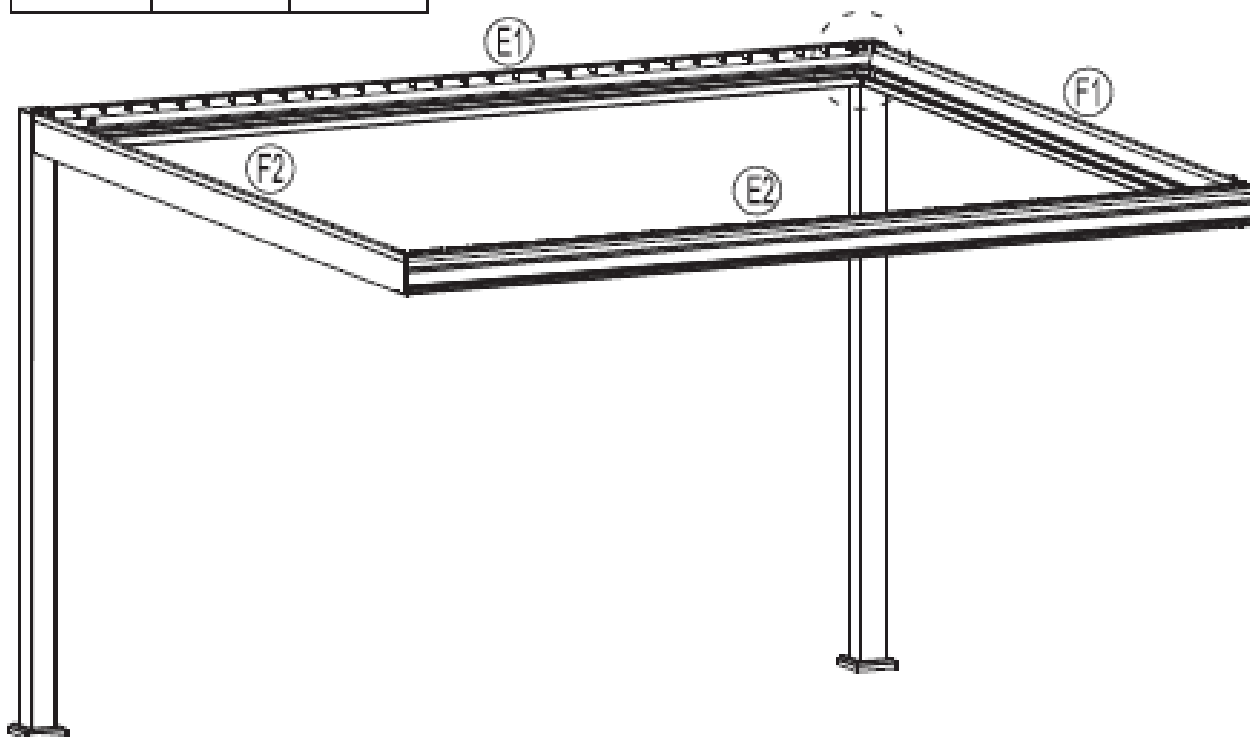
14 x 2	
14 x 4	
6 x 8	
C1 x 1	
13 x 2	



Step 7

Placed all gutter (E1), (E2), (F1), (F2) in proper position as picture

(E1) x2	(E2) x2	
(F1) x2	(F2) x2	





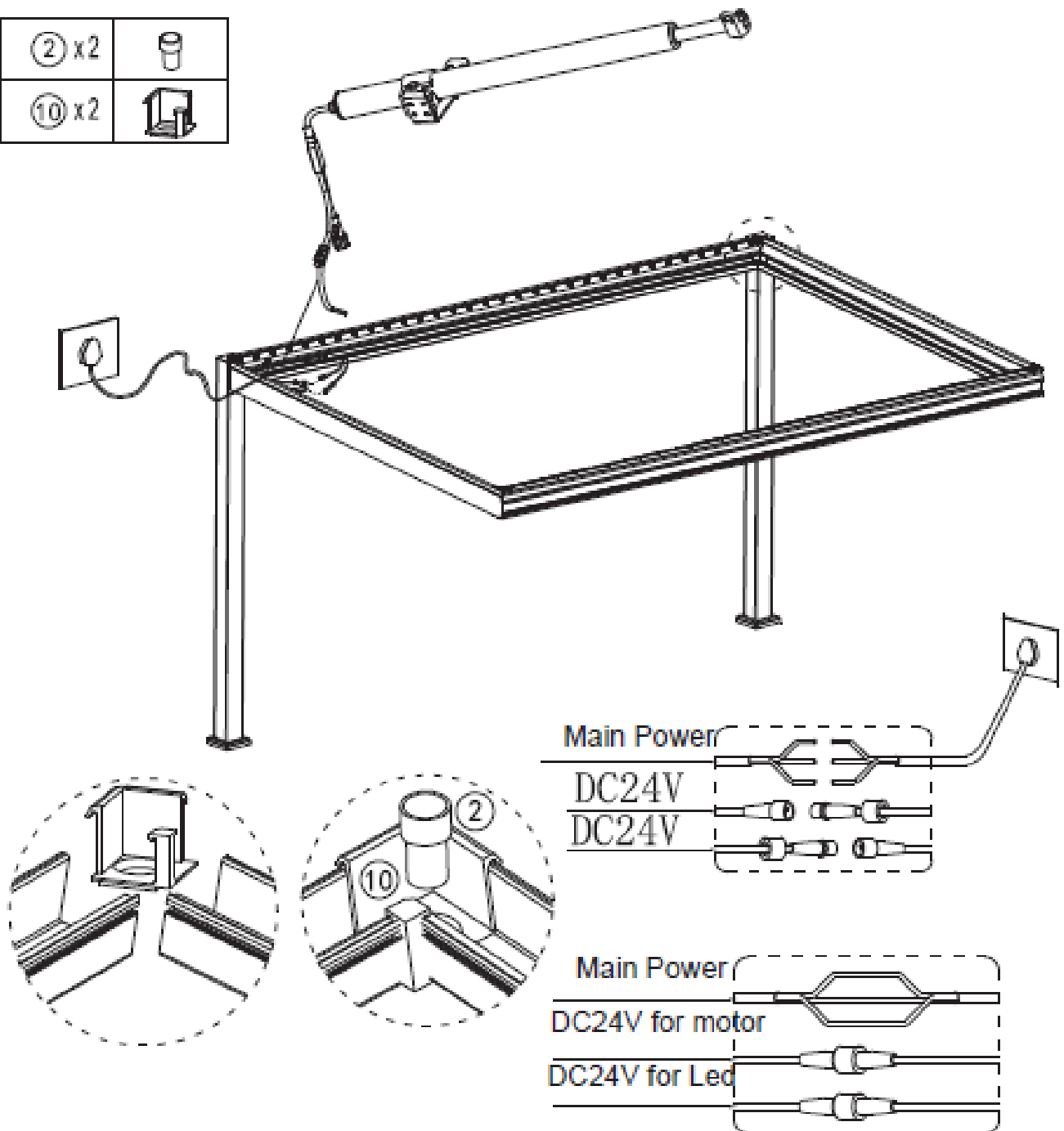
Step 8

Fasten ⑩x2 gutter connector and ②x2 50 to 40 connector.

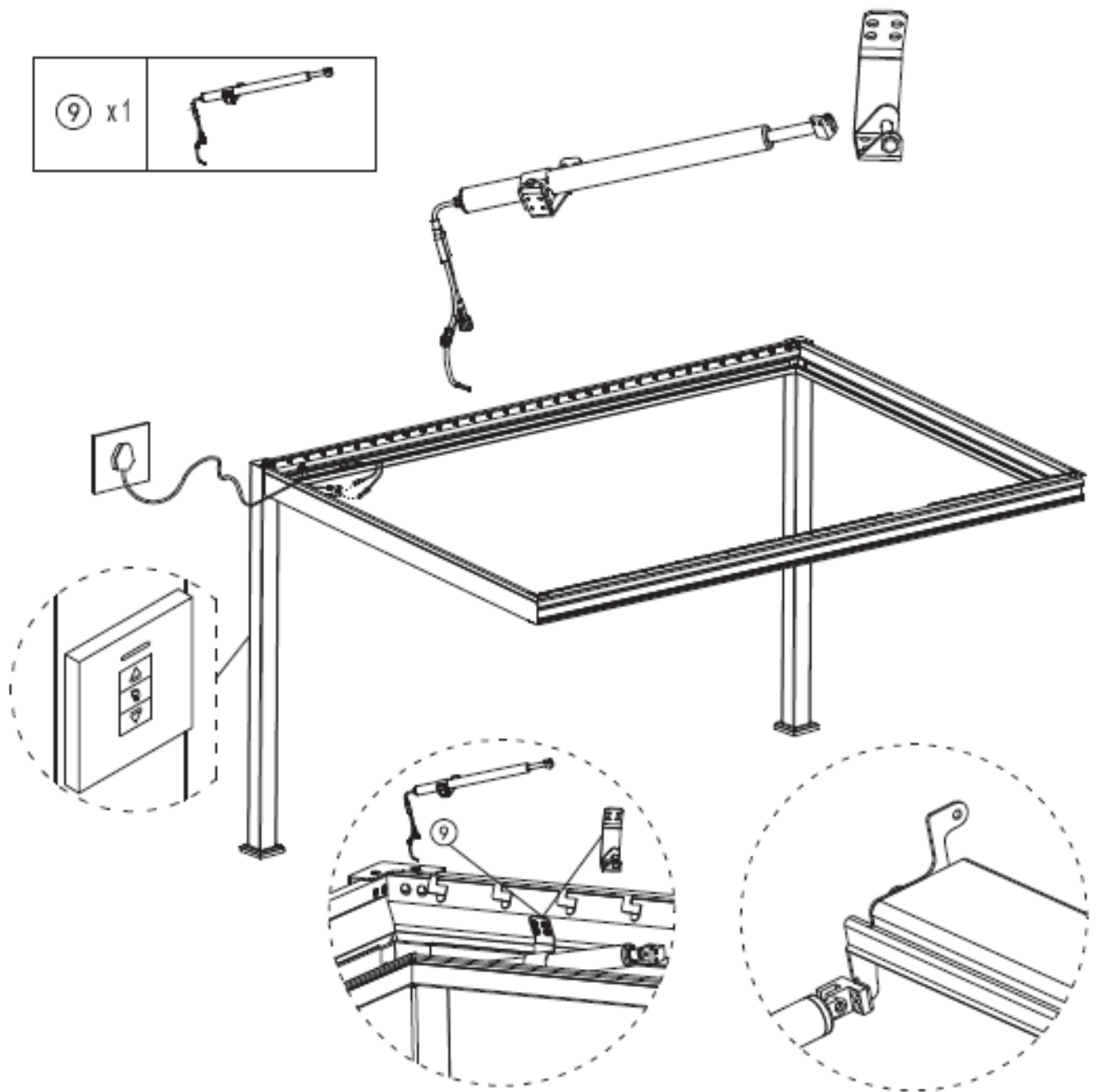
Connect the female and male plugs for the LED lighting, (DC24V to DC24V) and motor (DC24V to DC24V) and plug the power cable into local socket.

Step 9

② x2	
⑩ x2	



Fasten motor ⑨x1 as shown below.



Step 10

Located holes in centre of beams(**A**and**B**)



Place centre louver **H** into **12th slot**, lining up with the holes for 300x300 cm size. *

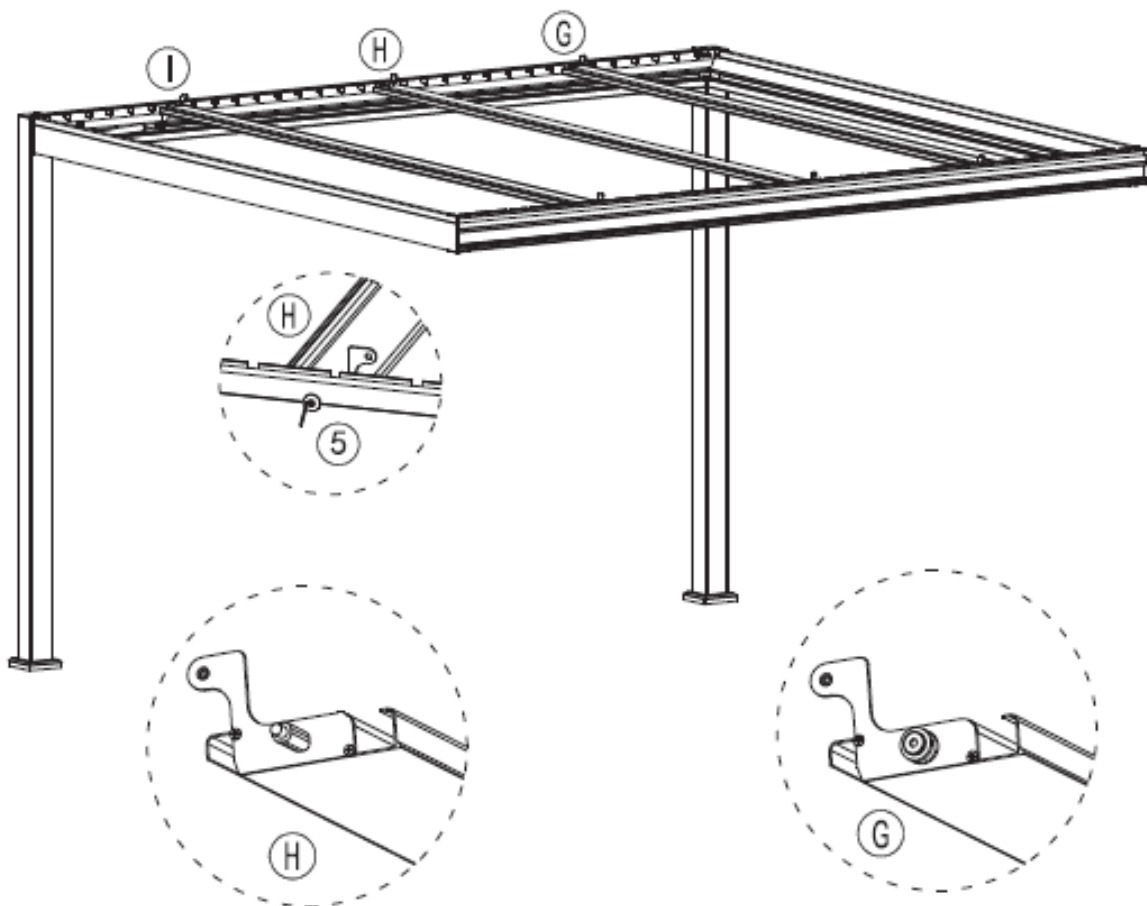
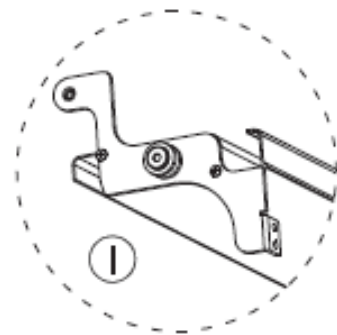
Place centre louver **H** into **16th slot**, lining up with the holes for 300x400 cm and 400x400 cm size.

Using M10 nut **5**X2, secure the louver in place

Place Driving louver **I** in line with **7th slot** on the beam **A**and**B**.

Fit all common louvers **G**X21 for 300x300cm and **G**X30 for both 300x400 and 400x400 cm size into the remaining slots in the beams

G x30	H x1	I x1	
5 x1			



Step 13

Fix ① x 2 (flat L-shaped aluminum profile).

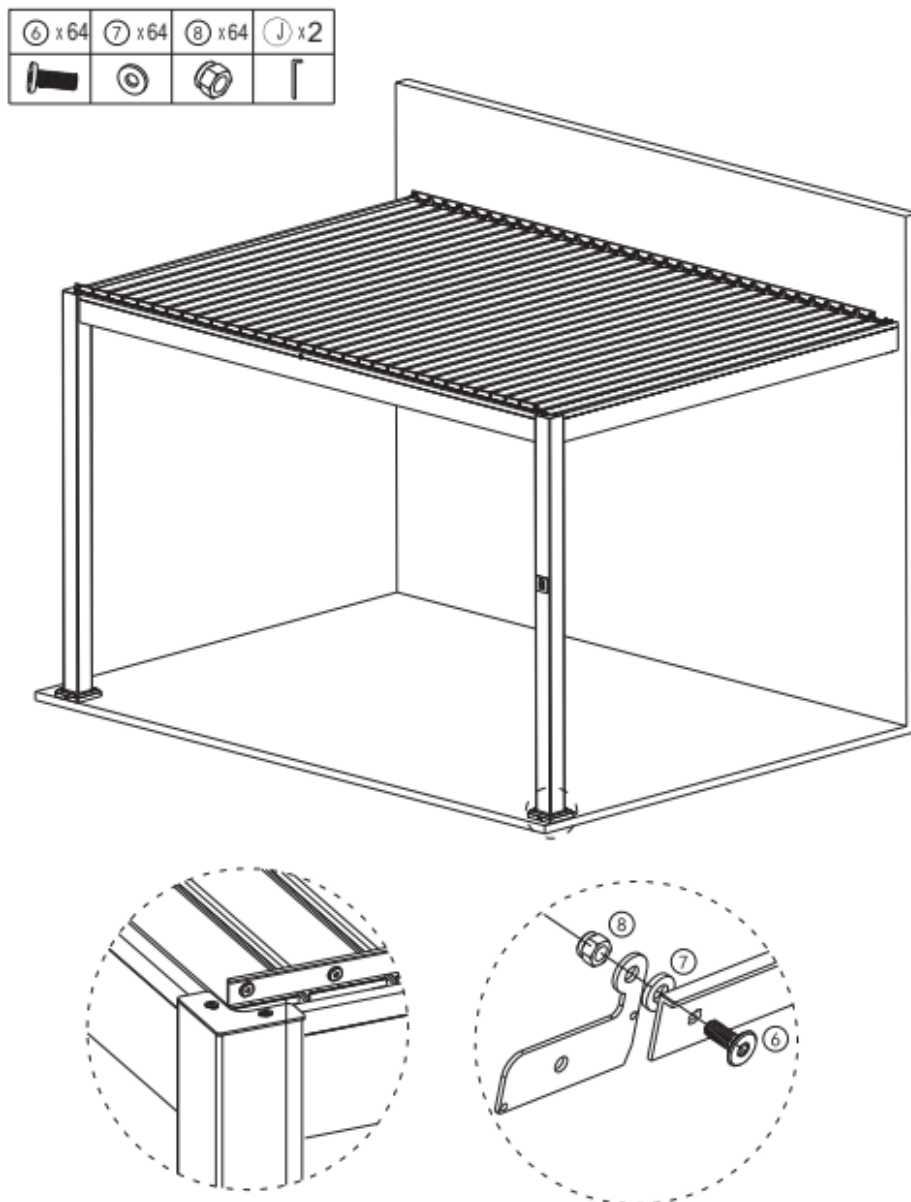
One for each other of the slats is required.

Use bolt ⑥ x46, plastic spacer⑦x46 and nut⑧x46 to tighten for 300X300cm size.

Use bolt ⑥ x64, plastic spacer⑦x64 and nut⑧x64 to tighten for both 300X400 cm and 400x400 cm size.

Secure the louvers at each end.

NOTE: Do not over tighten. Over tightening will prevent louvers from moving.



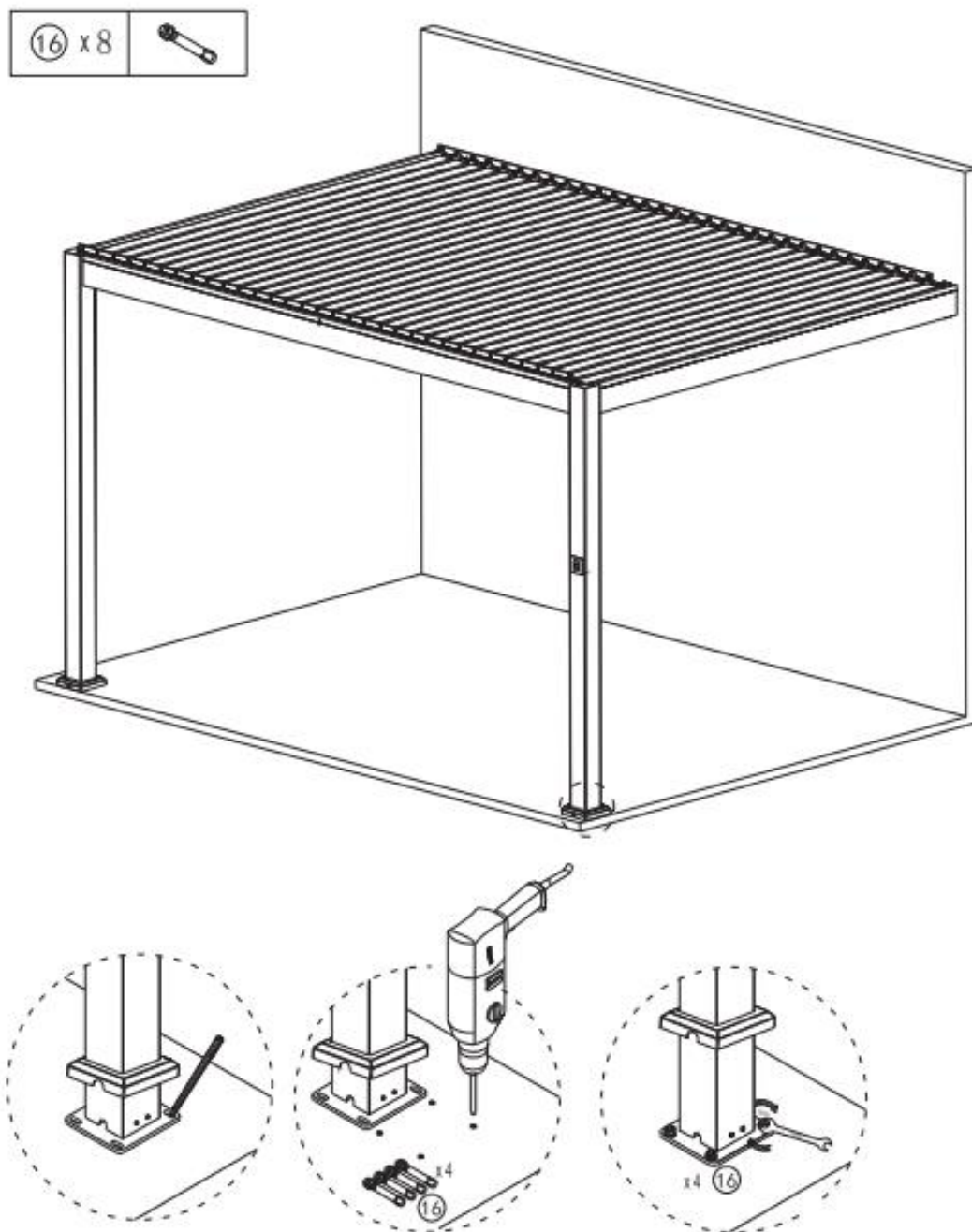
Step 14

Mark holes for expansion bolt $\text{\textcircled{16}} \times 8$ on each post.

Note the drill size should be 12 mm.

Insert the bolts. Use a hammer drill if necessary. Place the posts over the bolts.

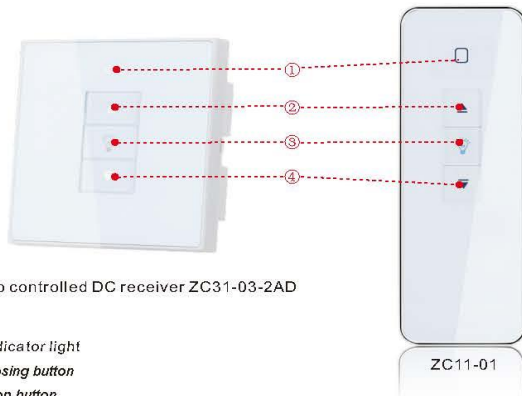
Tighten the nuts. Once installed, make sure any remaining plastic is removed and silicone is used along all corners and gutters to waterproof.



WARNING: Make sure louvers are open when mild to strong winds occur for safety.

Motor setup

86 operation instructions for DC controller with lamp control



Lamp controlled DC receiver ZC31-03-2AD

- ① Indicator light
- ② Closing button
- ③ Stop button
- ④ Opening button

1. Product characteristics

- ▶ Exquisite and unique appearance design;
- ▶ 86*86 national installation standards;
- ▶ Using impulse current relay;
- ▶ Adopting precision SMT process, surface moisture-proof treatment;
- ▶ Parts of electrical apparatus meet the requirements of fire safety standards for electrical standards;
- ▶ Power supply safety protection, the power output time is 5 minutes;
- ▶ Cooperate with all kinds of launchers and tubular motors.

2. Product parameters

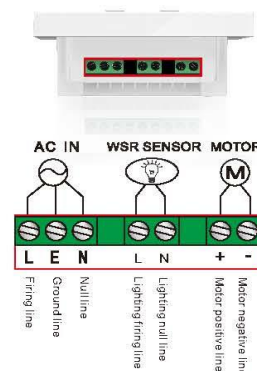
Product model	ZC31-03-2AD
Input voltage	AC100V-240V
Load power	Lamp≤500W Motor≤48W
Receiving / transmitting frequency	433.92MHz
Working temperature	-30℃~+65℃
Receiving sensitivity	-110dBm
Number of transmitters allowed	≤8 pcs
Operation mode	Remote / manual control

⚠ Installation notes

- ▶ The main power source must be cut off before installation.
- ▶ Transmission distance≤80 metres.
- ▶ Please use soft wire and soft cable.
- ▶ Please avoid electrostatic interference, otherwise, it will damage the components.
- ▶ Ensure that cable carriers are not affected by longitudinal forces after installation.
- ▶ Maintain a distance of 1.5 meters between receiver and ground.
- ▶ Maintain a distance of 0.3 meters between receiver and ceiling.
- ▶ Maintain a distance of 1.5 meters between receiver and motor.

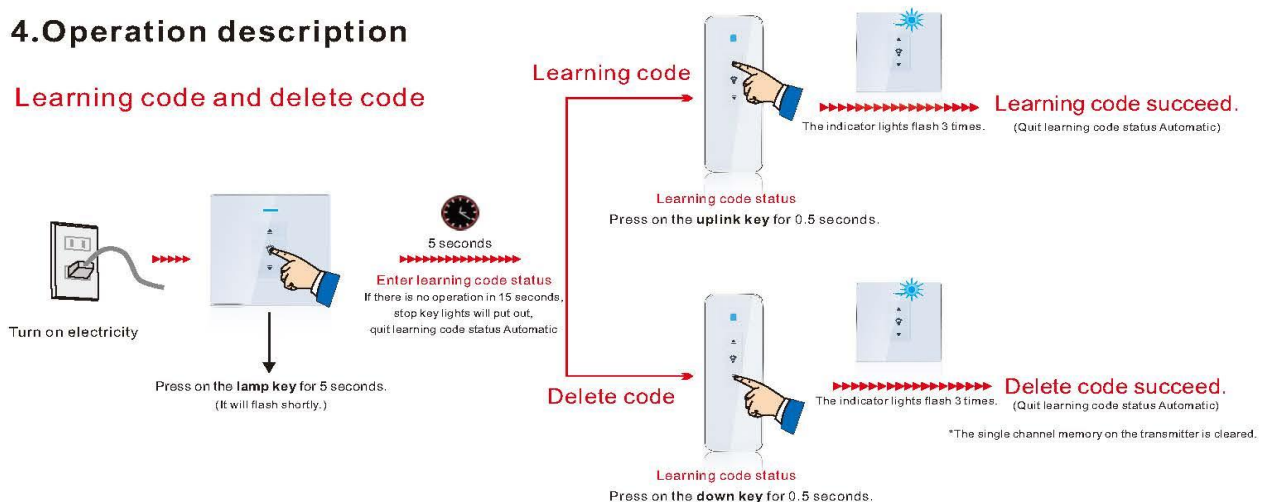
3. Product wiring

Lamp controlled DC receiver ZC31-03-2AD



4. Operation description

Learning code and delete code



Dismounting

If you want to disassemble the Pergola, please follow the following process.

Attention! At least two people are needed for this step.

- ◆ Keep the Pergola louvers open before you begin with dismounting. Bind the Louvers of the Pergola together to avoid unintended unfolding. This might cause damage and injury. You can use the protection band that was fixed on the Pergola when purchasing it.
- ◆ Follow the mounting instructions in reversed order to dismount the Pergola.
- ◆ Make sure that drilling holes in the wall will be sealed professional.
- ◆ **Attention! Safety hints and instructions have to be followed for dismounting as well.**

Storage

When you do not want to use the Pergola for a longer period of time it is recommended to take the Pergola out of the brackets and store it.

- ◆ Make sure that the frame is dry completely before storing.
- ◆ Store the Pergola at a dry and safe place that is not reachable for children.

Disposal

Do not dispose this Pergola with other household wastes. To prevent possible harm to the environment or human health from uncontrolled waste disposal, recycle it responsibly to promote the sustainable reuse of material resources. To return your used device, please use the return and collection systems or contact the retailer where the product was purchased. They can take this product for environmentally safe recycling. Dispose packing materials according to local guidelines.