

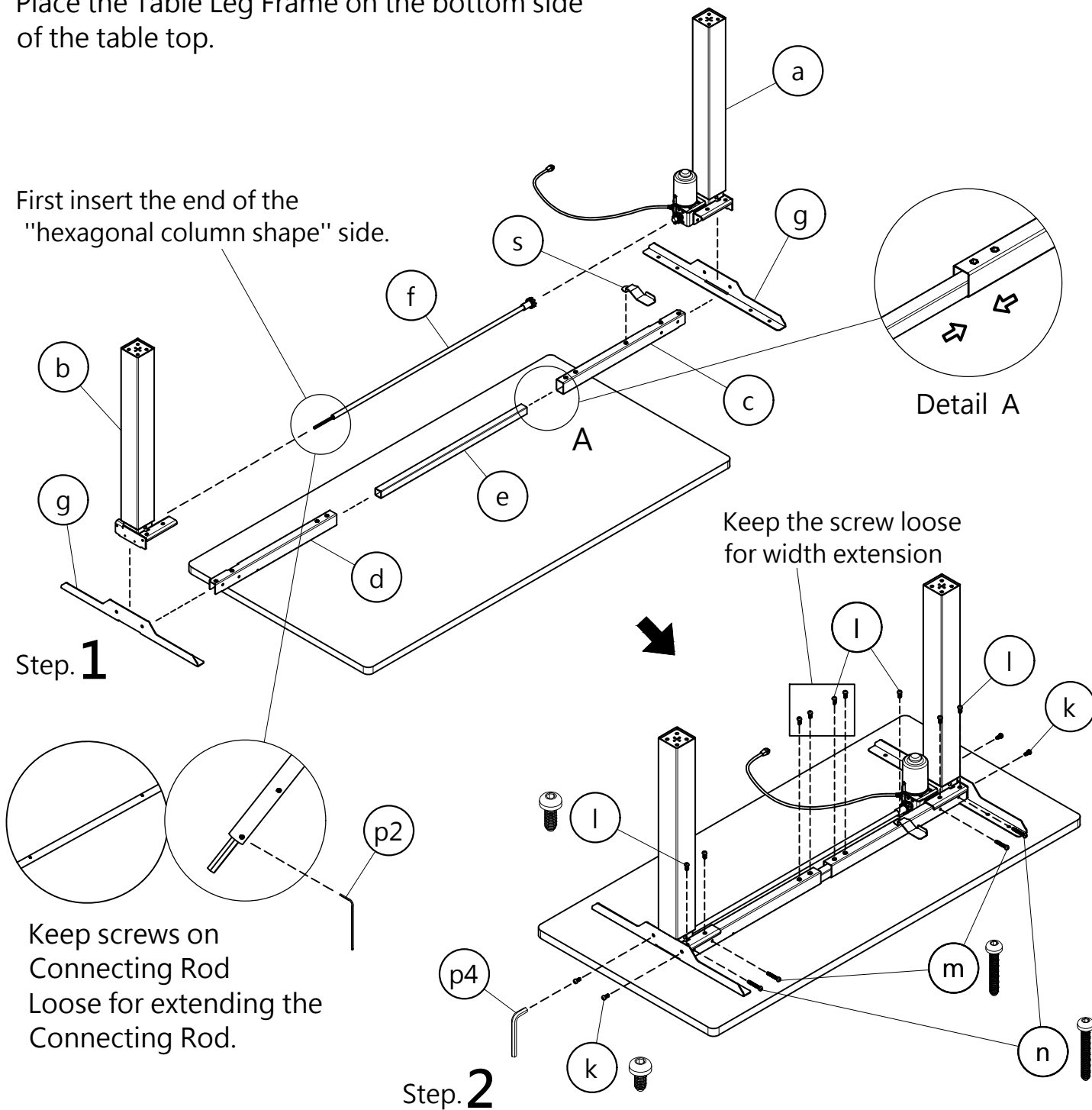
## Ninja Club Sit Stand Gaming Desk Assembly Instructions

# Parts List

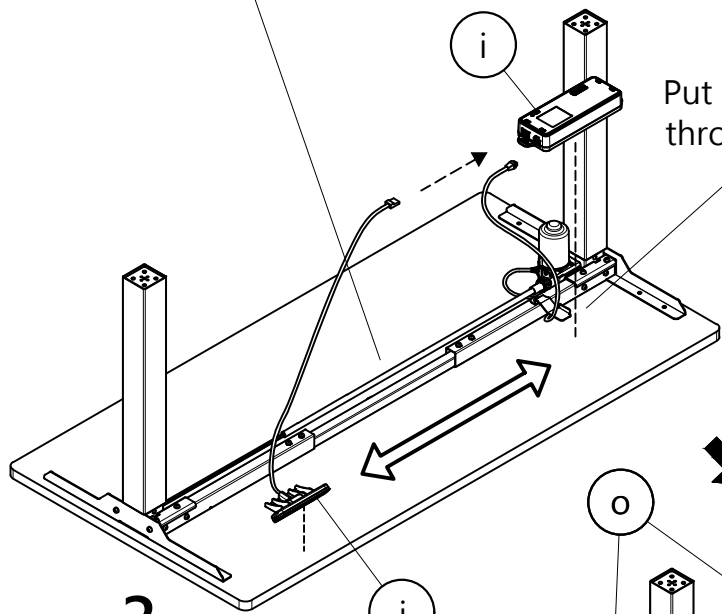
No.	Name	Drawing	QTY
a	Lifting Column (Left)		1
b	Lifting Column (Right)		1
c	Connecting Pipe (Left)		1
d	Connecting Pipe (Right)		1
e	Crossbar Rail		1
f	Connecting Rod		1
g	Side Support		2
h	Feet		2
i	Control Box		1
j	Handset		1
k	Screw M6x12		4
l	Screw M6x16		9
m	Screw M6x40		2
n	Screw M6x45		2
o	Screw 5x22		11
p	Screw 3.5x16		4
q	Screw M10x35		8
p2	Allen Key 2		1
p4	Allen Key 4		1
r	Power Cable		1
s	Control Box Bracket		1

Place the Table Leg Frame on the bottom side of the table top.

First insert the end of the "hexagonal column shape" side.

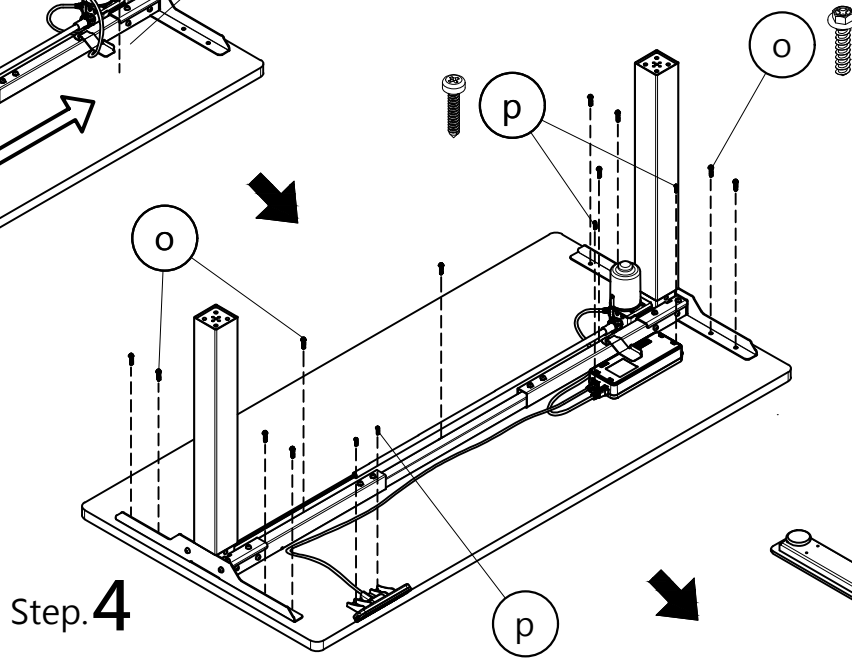


Extend the Crossbar Rail and Connecting Rod to fit table size.



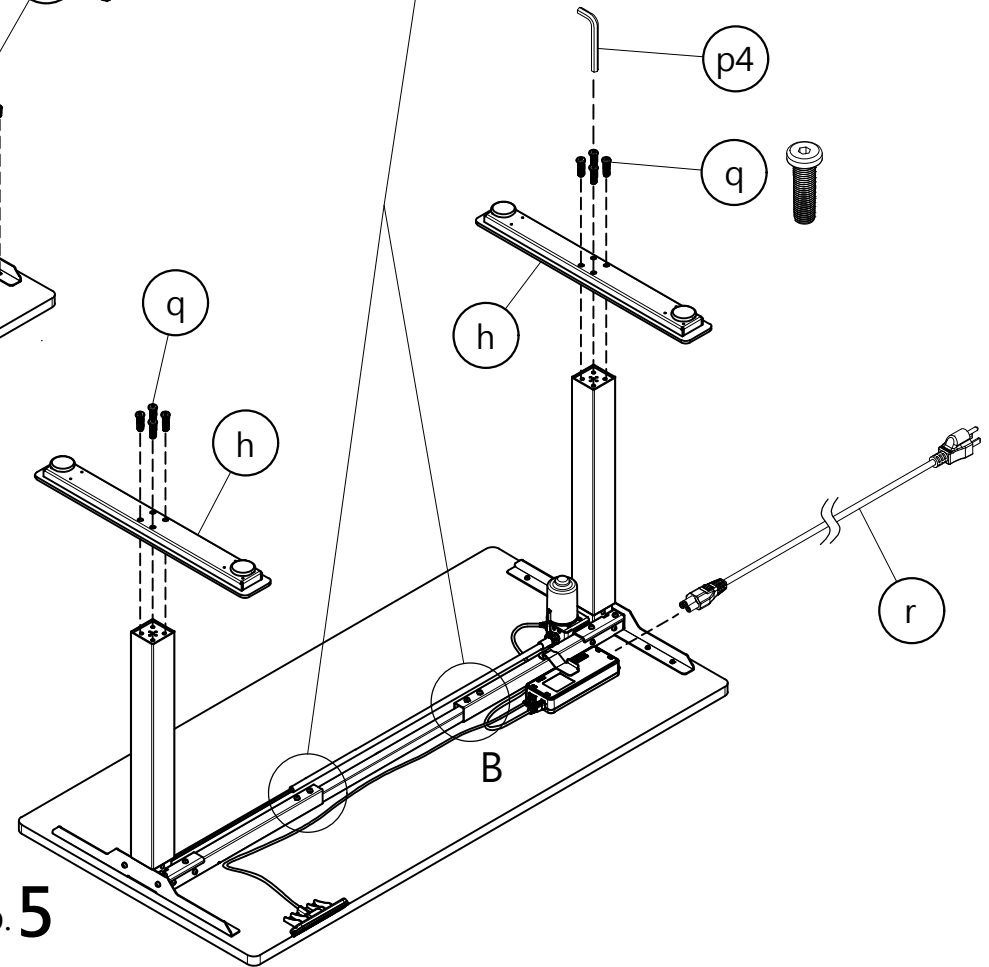
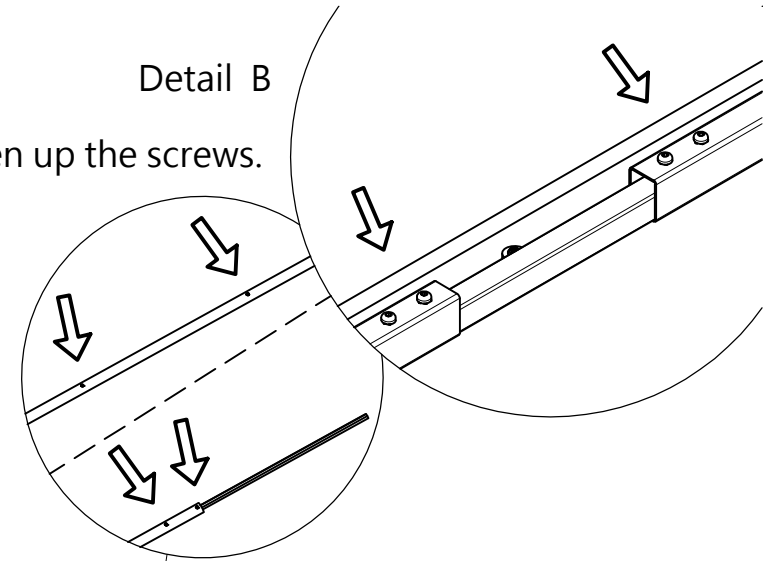
Step. 3

Put Motor connecting cable through the hole below the Right Trunk.



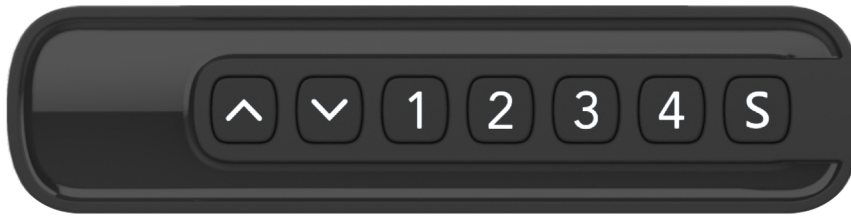
Step. 4

Detail B  
Tighten up the screws.



Step. 5





## MEMORY CONTROLLER INITIALISATION / RESET

- Press and hold “ $\wedge$ ” and “ $\vee$ ” buttons together for 3 seconds, both columns starts moving down; and the LED display reads “**SET**”.
- Keep pressing the buttons until the columns reach the lowest height and the handset beeps, then the columns rise slightly and the LED display shows the height.

## HEIGHT ADJUSTMENT

---

Press and hold the “ $\wedge$ ” or “ $\vee$ ” button, the columns move up or down; release the button when the desired height is reached. The LED display shows the current height.

The columns also stop when they reach the highest or the lowest height.

## MEMORY SETTING

---

1. Move the columns to the desired height.
2. Keep pressing the “**S**” button and any of the three number buttons “**1**”, “**2**”, “**3**” or “**4**” at the same time for 3 seconds. The handset beeps 3 times, and the height figure flashes for 3 seconds. The memory mode of the height for the number is complete. A maximum three different heights could be set.
3. ONE-TOUCH or CONSTNAT TOUCH the number button, the columns move to the saved height.  
(SEE CONTANT TOUCH / ONE-TOUCH SETTING)

## HEIGHT LIMIT SETTING

---

### Set maximum height limit

1. Press “ $\wedge$ ” or “ $\vee$ ” button to move the columns to the desired maximum height.
2. Press and hold the button “ $\wedge$ ” and “**S**” for 3 seconds, the LED display shows “**HLS**”. The maximum height setting is complete.

### Set minimum height limit

1. Press “ $\wedge$ ” or “ $\vee$ ” button to move the columns to the desired minimum height.
2. Press and hold the button “ $\vee$ ” and “**S**” for 3 seconds, the LED display shows “**LLS**”. The minimum height setting is complete.

### Remove height limit

Press and hold “ $\wedge$ ”, “ $\vee$ ” and “**S**” button for 3 seconds, “**LS-**” is shown on the LED display, the height limit is removed.

## HEIGHT UNIT SWITCH

---

The LED display could show the height in “cm” or “inch”. Keep pressing “**2**” and “**3**” for 3 seconds, the height unit could switch between “cm” and “inch”. “**R21**” stands for “cm”; “**R22**” stands for “inch”.

## ANTI-COLLISION SENSITIVITY

---

Press and hold “**^**” and “**1**” together for 3 seconds, the LED display shows the current sensitivity. Repeat the operation, the reads change from “**R01**” to “**R03**”. “**R01**” stands for high sensitivity; “**R03**” for low sensitivity.

## ONE-TOUCH / CONSTANT TOUCH

---

- Constant-Touch requires a constant touch of the “**1**”, “**2**”, “**3**” or “**4**” button to move the desktop to the preset memory location.
- One-Touch requires only one single touch of the “**1**”, “**2**”, “**3**” or “**4**” button to move the desktop to the preset memory height.
- Press and hold “**^**” and “**2**” together for 3 seconds, the LED display shows “**R11**” or “**R12**”. “**R11**” for constant touch; “**R12**” for one-touch.

## HEIGHT FIGURE ADJUSTMENT ON LED DISPLAY

---

1. Move both columns to the lowest height.
2. Pressing “**v**” button for 10 seconds, the LED display flashes, adjust the height figure on the LED display by “**^**” and “**v**” to the required figure.
3. Pressing “**v**” button for 5 seconds, the figure adjustment is complete.

## ERROR CODE

---

ER1: Two columns height difference protection. Reset the system to solve the problem.

ER2: Constant running of the system for 4 minutes may cause the problem. Let the system cool down for 20 minutes to solve the problem.

ER3: Caused by accident power failure. Restore power and reset the system to solve the problem.

Esto Global Limited T/A: Ninja Desk  
Innovation House  
39 Mark Road  
Hemel Hempstead  
Herts.  
HP2 7DN  
sales@ninjadesk.com

