

## Gas-Lift Twin Monitor Arms Instructions

Fits most monitor size: 13"-27"

Load weight: 1.5~7 kg

VESA: 75 x 75 & 100 x 100

### UNPACKING INSTRUCTIONS

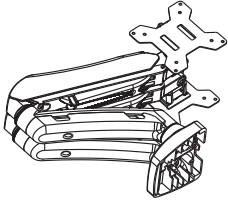
- Carefully open the carton, remove contents and lay out on cardboard or other protective surface to avoid damage.
- Check package contents against the Supplied Parts List in the next page to ensure that all components have been received. Do not use damaged or defective parts.
- Carefully read all instructions before attempting installation.

### IMPORTANT SAFETY INFORMATION

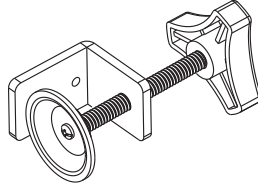
- Install and operate this device with care. Please read this instruction before installation, and carefully follow all instructions contained herein. Use proper safety equipment during installation.
- Please call a qualified installation contractor for help if you don't understand these directions or have any doubts about the safety of the installation.

Do not use this product for any purpose or in any configuration not explicitly specified in this instruction. We hereby disclaims any and all liability for injury or damage arising from incorrect assembly, incorrect mounting, or incorrect use of this product.

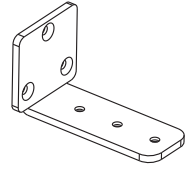
## Supplied Parts List



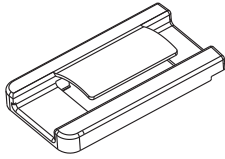
(1) Dual Arm Set-a



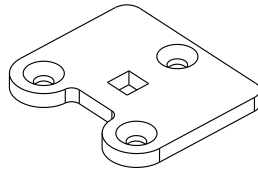
(1) C-clamp-b



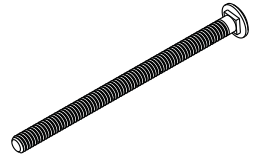
(1) C-clamp Brace-c



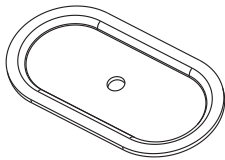
(1) Cable Guide-d



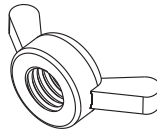
(1) Metal Plate-e



(1) M8x100 Bolt-f



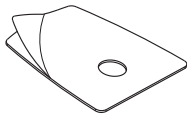
(1) Support Plate-g



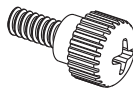
(1) Butterfly Nut-h



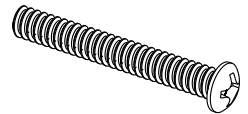
(5) M6x10 Bolt-i



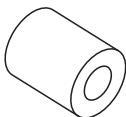
(1) Soft Pad-j



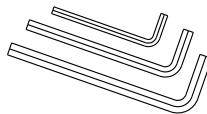
(8) M4x12  
Thumb Bolt-k



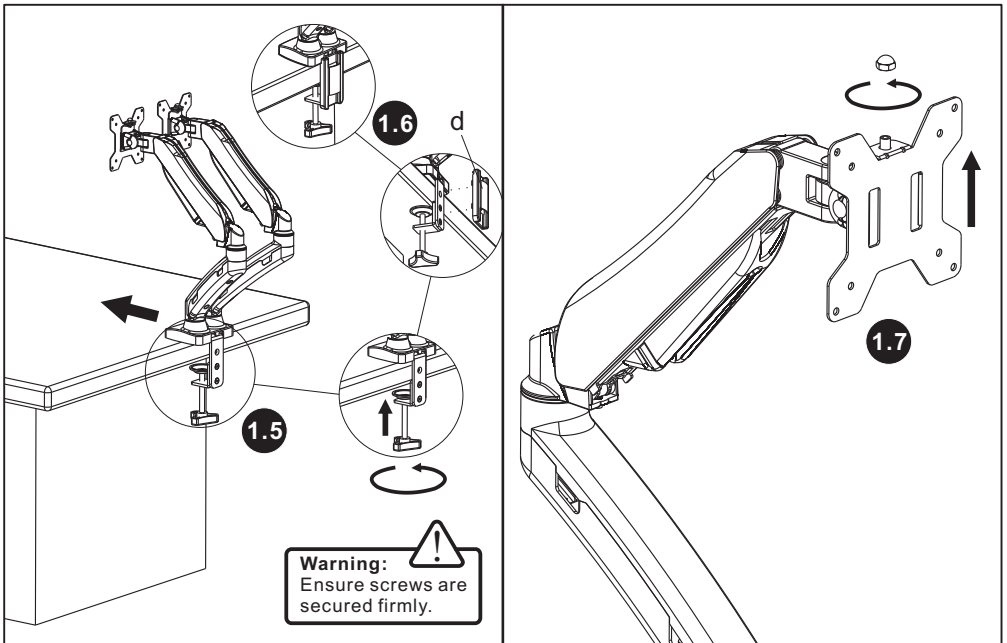
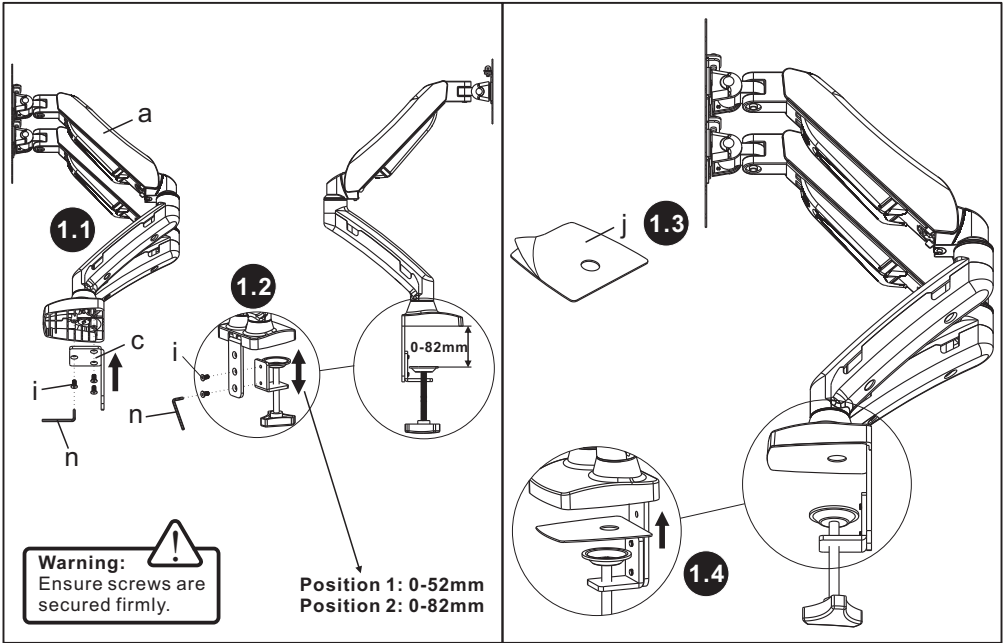
(8) M4x30 Bolt-l

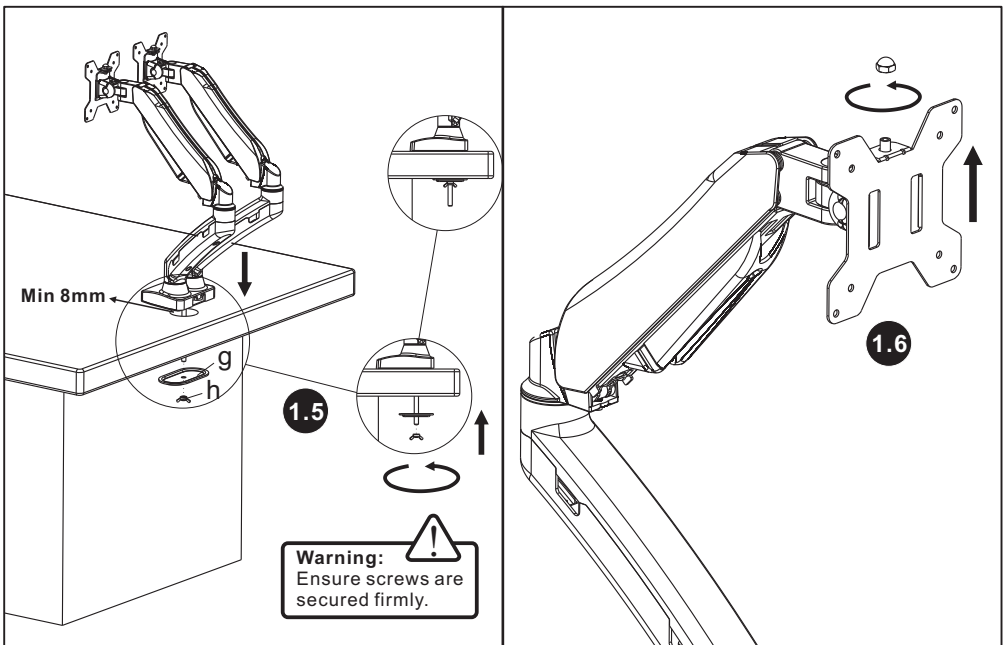
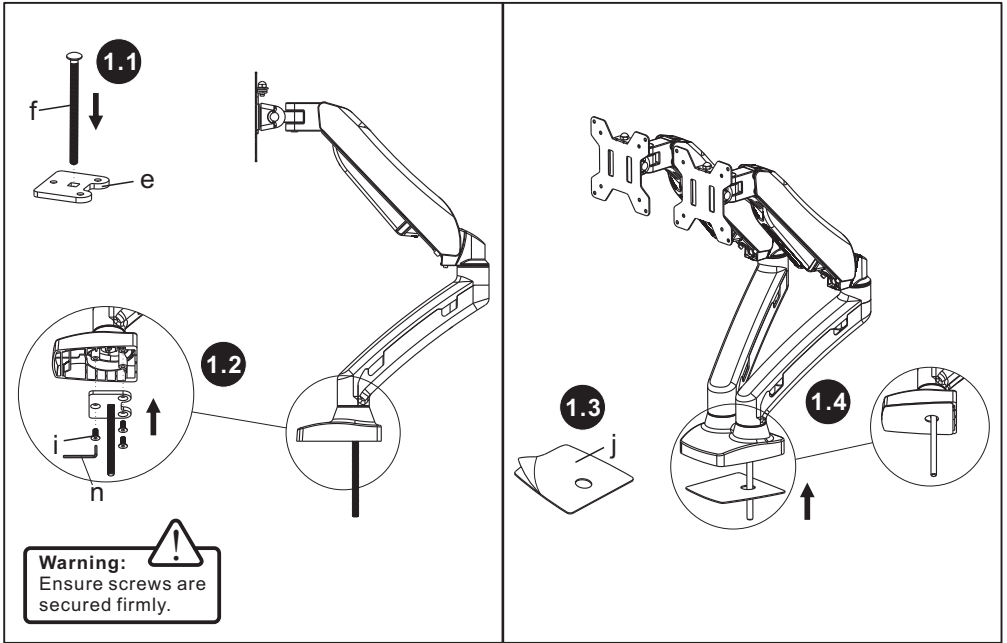


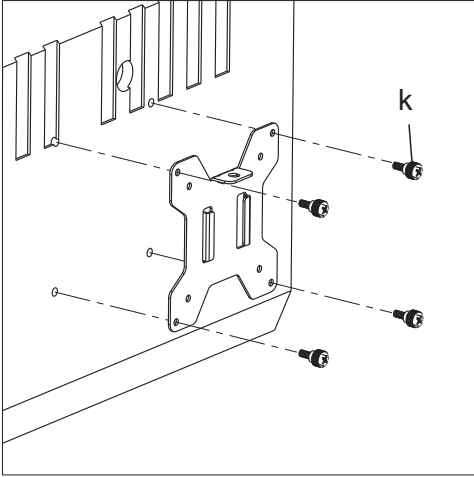
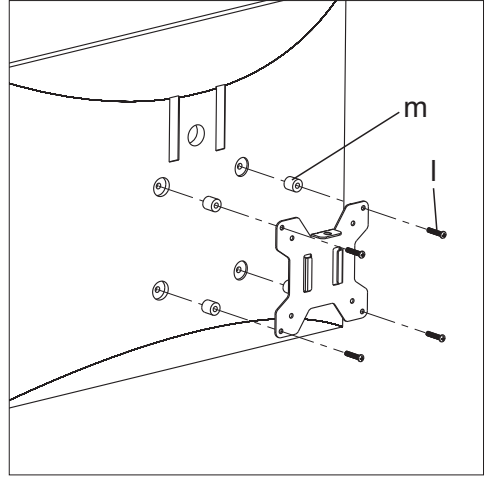
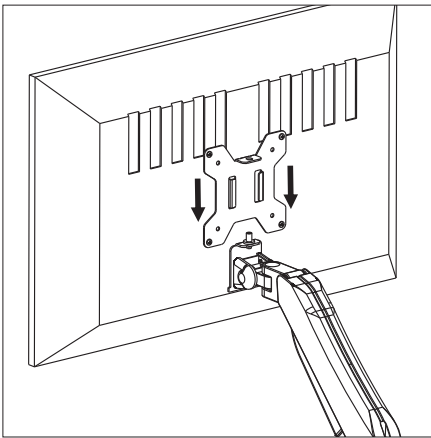
(8) M4 Spacer-m



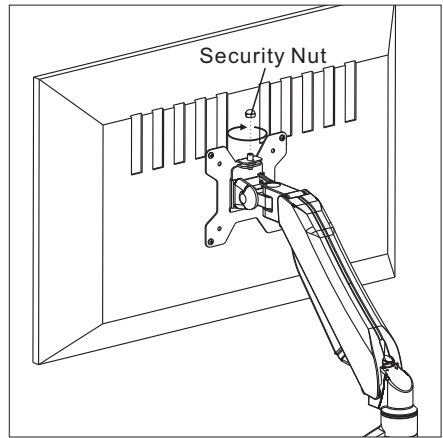
(1) Allen Key-n





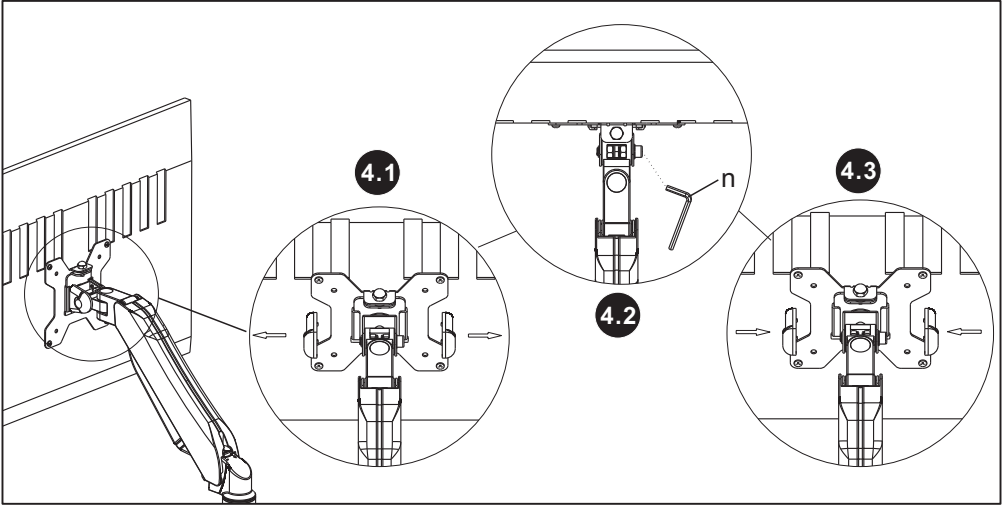
**Step 2****Attaching the VESA Plate to the Monitor****For Monitor with Flat Back****For Monitor with Curved or Recessed Back****Step 3****Sliding the Monitor onto the Head of Dual Arm Set**

Slide the monitor onto the head of Dual Arm Set(a) as shown in the above diagram.

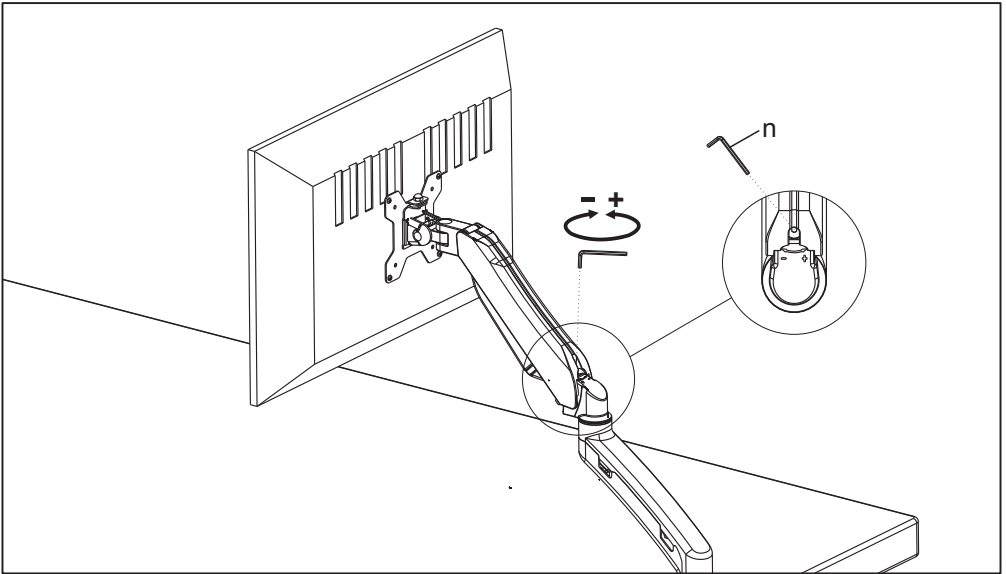


Install the Security Nut. Make sure the security nut is installed before you rotate the monitor.

## Step 4 Setting the Tilt Angle Position



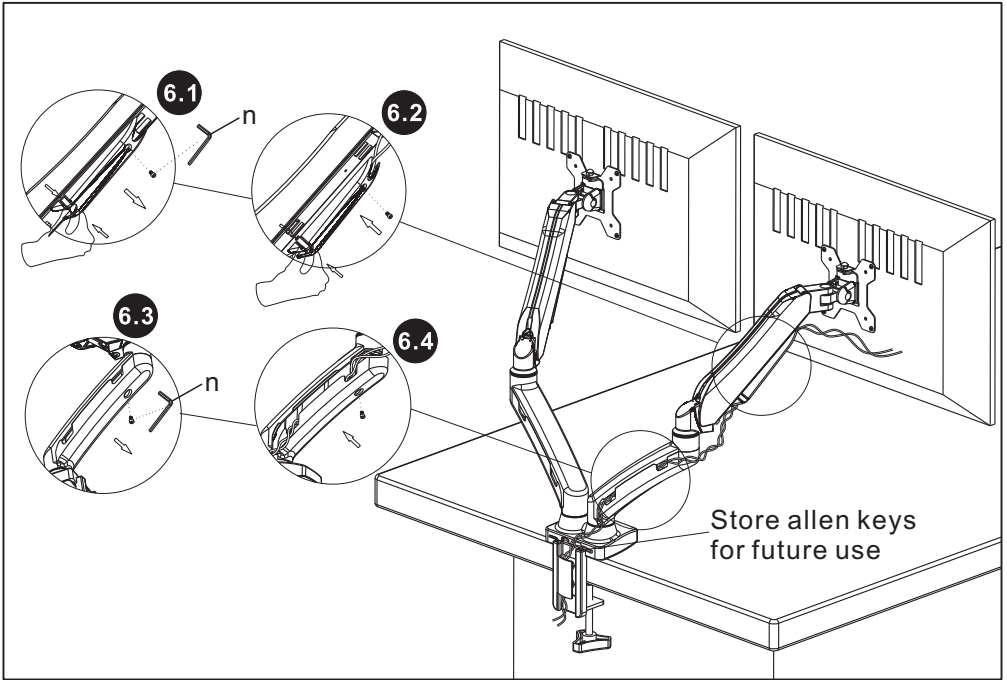
## Step 5 Adjusting the Torque of Gas Spring



Adjust the torque of gas spring according to the weight of your monitor. If your monitor can not stay in the lower position, turn the grub screw clockwise(-). If your monitor can not stay in the higher position, turn the grub screw counterclockwise(+). Keep turning until monitor position can be raised and lowered easily.

**Step 6**

**Managing the AV Cables**



**Finish**

**Technical Drawings(C-clamp and Grommet)**

