

HEADBOARD ASSEMBLY INSTRUCTIONS

PARTS LIST:

- (A) M8 bolts x4
- (B) Big Washers x4
- (C) Wrench x1
- (D) M6 Bolts x4
- (E) Small Washers x4
- (F) Nuts x4
- (G) Horizontal Wall Mount x2
- (H) Vertical Wall Mount x2
- (I) Screws x16
- (J) Drywall Anchors x8
- (K) Allen Key 65mm
- (L) Allen Key 70mm

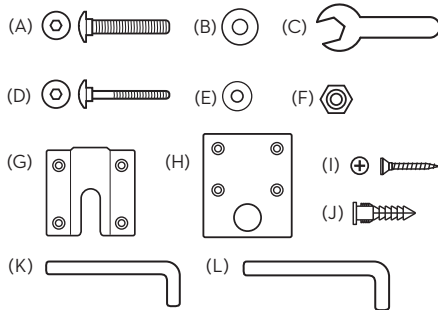
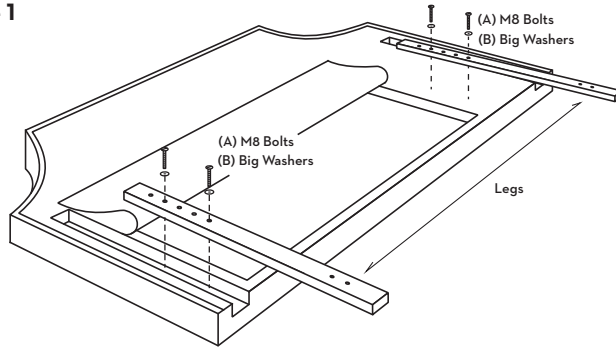


Figure 1



Step 1

Remove the headboard from the box and lay it face down on the floor. Open the velcro panel on the back and remove both the legs and hardware.

Step 2

Insert each leg into one of the provided slots on the back of the headboard and slide to adjust to your desired height.

Step 3 (see Figure 1)

Using two of the **(A) M8 bolts** and two of the **(B) big washers** for each leg, secure both legs to the headboard with the **(L) allen key** provided.

Step 4 (See Figure 2) ****recommended****

Using the mounting blocks on the back of your headboard, screw the two **(G) wall mounts** to the top of your headboard with the provided **(I) screws**. Using the remaining **(I) screws**, attach the **(H) wall mounts** to your wall. Make sure to place the wall mounts at the correct height to pair with your previously installed **(G) wall mounts** (see figure 2). If no wall studs are available to secure the headboard to your wall, use the provided **(J) drywall anchors** instead. Lift or slide the headboard into place to join the **(G) and (H) wall mounts** together.

Step 5 (See Figure 3)

With the front side of the headboard facing the bed frame, attach the headboard to the frame using the **(D) M6 bolts**, **(E) small washers**, **(F) nuts**, and **(K) allen key**.

If your bed frame doesn't fit the headboard, use the provided modification plates that are included to secure the bed frame to the headboard. Additional instructions are included with the plates.

Figure 2

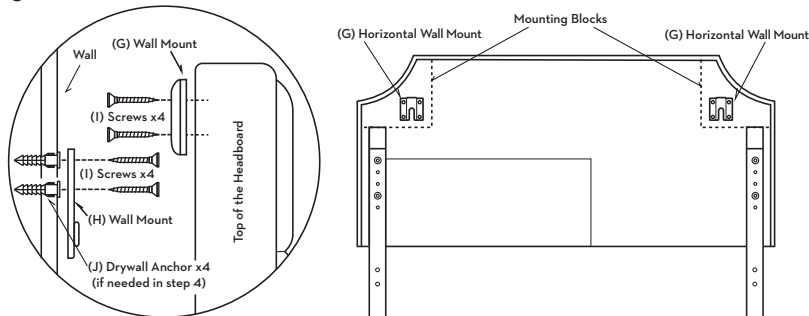
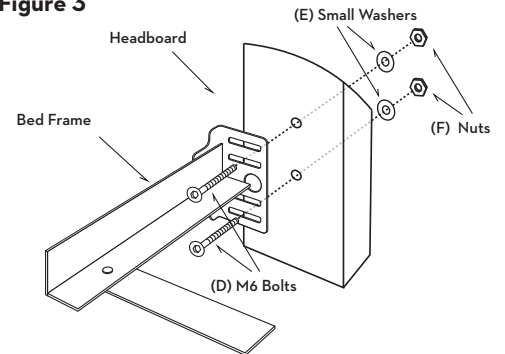


Figure 3



Failure to follow these warnings and assembly instructions could result in serious injury or death. Read all instructions before assembling the headboard. Keep the assembly instructions for future use. Before each usage or assembly, inspect the headboard for damaged hardware or missing parts. DO NOT use the headboard if any parts are missing or broken. If replacement parts and instructional literature are needed, contact the manufacturer at 800-517-7179. DO NOT substitute parts.

HEADBOARD MODIFICATION PLATE

ASSEMBLY INSTRUCTIONS

1 Place assembled bed frame in front of headboard and position modi plate to determine which slots will line up with headboard brackets and headboard. Use provided lock nuts, small washers, and short M6 bolts to attach modi plates to headboard brackets as shown in figure 1.

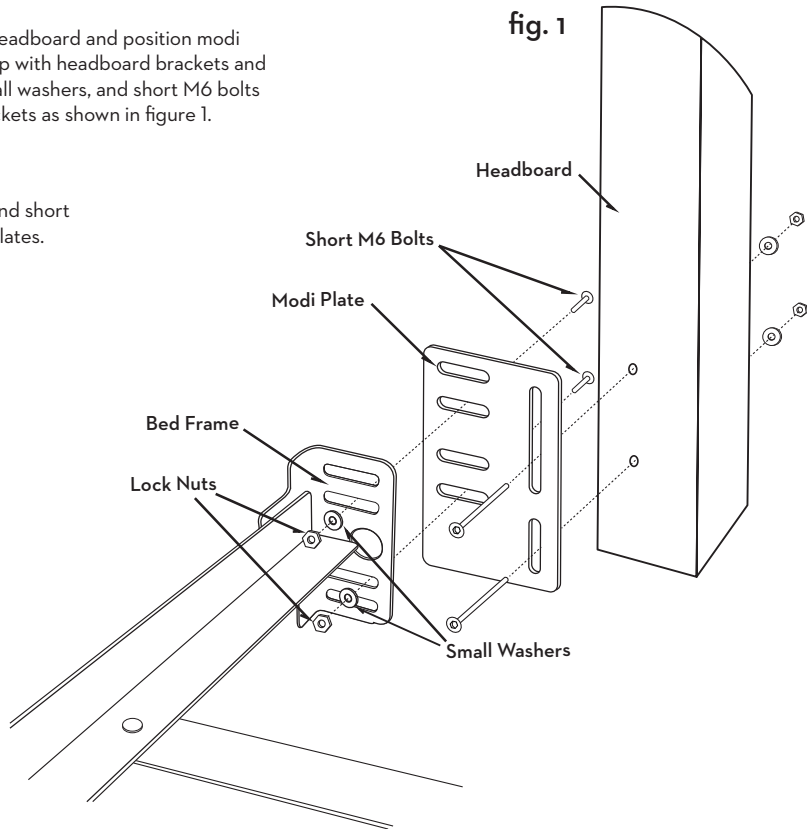
2 Use provided lock nuts, small washers, and short M6 bolts to attach headboard to modi plates.



**STANDARD
MODIFICATION PLATE**

Parts List:

- 2 Modi Plates
- 4 Short M6 Bolts
- 4 Lock Nuts
- 4 Small Washers



Failure to follow these warnings and assembly instructions could result in serious injury or death. Read all instructions before assembly. Keep the assembly instructions for future use. Before each usage or assembly, inspect for damaged hardware and missing parts. DO NOT use this product if any parts are missing or broken. If replacement parts and instructional literature are needed, contact the manufacturer at 800-517-7179. DO NOT substitute parts. Check fasteners and rivets periodically for tightness and positioning.