

DESK FRAME 2 (DF2) User manual

Contents

Preface	3
Important information	4
Important safety instructions	4
General	4
Intended use	5
Before installation, re-installation, cleaning, or troubleshooting	5
Before start-up	5
During operation	5
Servicing of double-insulated products	6
Misc.	6
Repairs	6
Only for EU markets	7
Only for Non EU markets	7
Misuse	7
Manufacturer's declaration	8
Declaration of Conformity	9
Misc. on the DESKLINE® system	10
Warranty	10
Maintenance	10
Description of the DESKLINE® Desk Frame 2	11
Mounting guidelines for the Desk Frame 2	13
Installation	14
Disassembly	19
Accessories and repair	20
Disposal of LINAK products	21
Label	21
Drawing appendix	22
Addresses	25

Preface

Dear User,

We are delighted that you have chosen a product from LINAK®. LINAK systems are high-tech products based on many years of experience in the manufacture and development of actuators, electric control boxes, controls and chargers.

This User Manual does not address the end-user. It is intended as a source of information for the manufacturer of the equipment or system only, and it will tell you how to install, use and maintain your LINAK electronics. It is the responsibility of the manufacturer of the end-user product to provide a User Manual where relevant safety information from this manual is passed on to the end-user.

We are sure that your LINAK product/system will give you many years of problem-free operation. Before our products leave the factory, they undergo full function and quality testing. Should you nevertheless experience problems with your LINAK product/system, you are always welcome to contact your local contact. LINAK subsidiaries and some distributors situated all over the world have authorised service centres, which are always ready to help you.

LINAK provides a warranty on all its products. This warranty, however, is subject to correct use in accordance with the specifications, maintenance being done correctly and any repairs being carried out at a service centre, which is authorised to repair LINAK products.

Changes in installation and use of LINAK products/systems can affect the operation and durability of the products/systems. The products are not to be opened by unauthorised personnel.

The User Manual has been written based on our present technical knowledge. We are constantly working on updating the information and we therefore reserve the right to carry out technical modifications.

LINAK A/S

Important information

Important information on LINAK® products can be found under the following headings:



Warning!

Failure to comply with these instructions may result in accidents involving serious personal injury.



Failing to follow these instructions can result in the product being damaged or being destroyed.

Important safety instruction



General

Safe use of the system is possible only when the operating instructions are read completely and the instructions contained are strictly observed.

Failure to comply with instructions marked with the "NOTE" symbol may result in serious damage to the system or one of its components.

Read all instructions before using this product.

DANGER - To reduce risk of electric shock:

- Always unplug this product from the electrical outlet before cleaning or servicing.

WARNING - To reduce the risk of burns, fire, electric shock, or injury to persons:

- Unplug from outlet before putting on or taking off parts.



It is important for everyone who is to connect, install, or use the systems to have the necessary information and access to this User Manual. Follow the instructions for mounting – there is a risk of injury if these instructions are not followed.



Close supervision is necessary when this product is used by or near children, invalids or disabled persons.



If there is visible damage to the product, do not install or use it.

Ensure that the cord and the plug are not damaged, and keep the cord away from heated surfaces.



Please note that during construction of applications in which the system is to be fitted, there must be no possibility of personal injury, for example squeezing of fingers or arms.



Never insert any object into any opening.



Assure free space for movement of the application in both directions to avoid blockage.

Intended use:

This product is intended for use indoors in household and commercial usage areas. Do not use outdoors.

Before installation, re-installation, cleaning, or troubleshooting:

- Stop the frame.
- Switch off the power supply and pull out the mains plug.
- Relieve the frame of any loads, which may be released during the work.
- Review the assembly instructions to confirm that the appropriate critical components and accessories are being used with this product.


Before start-up:

- Make sure that the system has been installed as instructed in this User Manual describing the motor system.
- Make sure that the voltage of the control box is correct before connecting the system to the mains.
- Always use the supplied mains cable.
- System connection. The individual parts must be connected before connecting the control box to the mains. See the User Manual for LINAK actuators, if necessary.

During operation

- If the control box makes unusual noise or smells, switch off the mains voltage immediately.
- The maximum total load on the frame is 160 kg equally loaded, i.e. 80 kg on each column. The 160 kg include the tabletop.
- Duty Cycle: 5 %, Max. 1 min./19 min. pause
- Take care that the cables are not damaged.
- Unplug the mains cable on mobile equipment before moving it.
- The products must only be used in an environment, that corresponds to their IP protection.

Servicing of double-insulated products

In a double-insulated product, two systems of insulation are provided instead of grounding. No grounding means is provided on a double-insulated product, nor is a means for grounding to be added to the product. Servicing a double-insulated product requires extreme care and knowledge of the system, and is to be done only by qualified service personnel. Replacement parts for a double-insulated product must be identical to the parts they replace. A double-insulated product is marked with the words "*Double insulation*" or "*Double insulated.*" The symbol (square within a square)  is also able to be marked on the product.

Misc.

For further information, installation guidelines etc. for the motor system, please see the relevant user manual: www.linak.com/deskline.

Updated manuals and declarations can always be found here:
www.linak.com/deskline.

Repairs

In order to avoid the risk of malfunction, all DESKLINE® repairs must only be carried out by authorised LINAK workshops or repairers, as special tools must be used and special gaskets must be fitted. Lifting units under warranty must also be returned to authorised LINAK workshops.



Warning!

If any of the DESKLINE® products are opened, there will be a risk of subsequent malfunction.



Warning!

The DESKLINE® systems do not withstand cutting oil.

Save these instructions

Only for EU markets



This appliance can be used by children aged from aged 8 years and above and persons with reduced physical, sensory or mental capabilities or lack of experience and knowledge if they have been given supervision or instruction concerning use of the appliance in a safe way and understand the hazards involved.



Children shall not play with the appliance. Cleaning and user maintenance shall not be made by children without supervision.

Only for Non EU markets



Persons who do not have the necessary experience or knowledge of the product/products must not use the product/products. Besides, persons with reduced physical, sensory or mental abilities must not use the product/products, unless they are under surveillance or they have been thoroughly instructed in the use of the apparatus by a person who is responsible for the safety of these persons.



Moreover, children must be under surveillance to ensure that they do not play with the product.



It is the operator's responsibility to ensure that there is free space for the application to move without risk for the operator or bystanders before operating the application.

Misuse



Do not overload the frame – this can cause danger of personal injury and damage to the system.



Do not use the frame for lifting persons. Do not sit or stand on a table while operating – risk of personal injury.



Do not use the system in environments other than the intended indoor use

Manufacturer's declaration

DECLARATION OF INCORPORATION OF PARTLY COMPLETED MACHINERY

LINAK A/S
Smedevænget 8
DK - 6430 Nordborg

Herewith declares that LINAK DESKLINE® products as characterized by the following models and types:

Control Boxes	CBD6S
Linear Actuators	DB5, DB6, DB14, LA23, LA31
Lifting Columns	DL1A, DL2, DL4S, DL5, DL5IC, DL6, DL6IC, DL7, DL8, DL8IC, DL9, DL9IC, DL10, DL10IC, DL11, DL11IC, DL12, DL14, DL15, DL16, DL16IC, DL17, DL19, DL19IC, BASE1
Desk Panels	DPA, DPB, DPH, DPF, DPG, DPT, DP, DP1CS
RF Controls	HB10RF, HB20RF, RFRL
Accessories	BA001, BLE2LIN, DS1, DF2, Kick & Click, SLS, SMPS001, SMPS002, SMPS006

comply with the following parts of the Machinery Directive 2006/42/EC, ANNEX I, *Essential health and safety requirements relating to the design and construction of machinery*:

1.5.1 Electricity supply

The relevant technical documentation is compiled in accordance with part B of Annex VII and that this documentation or part hereof will be transmitted by post or electronically to a reasoned request by the national authorities.

This partly completed machinery must not be put into service until the final machinery into which it is to be incorporated has been declared in conformity with the provisions of the Machinery Directive 2006/42/EC where appropriate.

Nordborg, 2019-05-27



LINAK A/S
John Kling, B.Sc.E.E.
Certification and Regulatory Affairs
Authorized to compile the relevant technical documentation

DECLARATION OF CONFORMITY

LINAK A/S
Smedevænget 8
DK - 6430 Nordborg

Herewith declares that LINAK DESKLINE® products as characterized by the following models and types:

DF2 Beam models: DF2B000a00b00000A009

(a=0 or 1; b=A,B or D)

DF2 Cantilever, cable and controls: DF2CT00abbc0dd00ee00

(a=0 or 1; bb=00 or 01; c=A,B or D; dd=AA or AE; ee=AA,AB,AC,AD,AE,AF,AG,AH,AJ,AK,AM,AN,AO,AQ

DF2 Legs models: DF2Laa0b00cdP0eeffff

(aa=05,06,18,19; b=0 or 1; c=0,1,L or R; d=A,B or D; eee=500 or 650; fff=517 or 602)

DLF Feet models: DLFaab11cddd000

(aa=06 or 019; b=1 or 2; c=A,B or D; ddd= 560 or 710)

complies with EMC Directive: 2014/30/EU according to following standards:
EN 61000-6-1:2019, EN 61000-6-3:2007+A1:2011+AC:2012

complies with Low Voltage Directive 2014/35/EU according to the standard:
EN 60335-1:2012+AC:2014+A1:2019+A2:2019+A11:2014+A13:2017+A14:2019

complies with RoHS2 Directive 2011/65/EU according to the standard:
EN 50581:2012

Nordborg, 2020-02-24


LINAK A/S
Dragan Macura,
Regulatory Compliance Manager
Deskline and Homeline Segments
Authorized to compile the relevant technical documentation

If required, the China RoHS mark must be obtained by the manufacturer of the end-use products. LINAK A/S can supply the required material information on our products.

For more information, visit: <https://www.linak.com/about/declarations/>

or contact: chemicalcompliance@linak.com

Misc. on the DESKLINE® system

This system is a DESKLINE system developed for desks and for indoor use in offices. Do not use it in industrial kitchens or in other environments that have to be cleaned with aggressive detergents.

Warranty - 60 months on DESKLINE®

This will be valid for all DESKLINE® products produced after 1 May 2015.

Products produced before 1 May 2015 will still be covered by 36 months.

Products used in DESKLINE applications: If these products are used in another application, they will be covered by 18 months warranty.

If there is any doubt that returned products are within the warranty period, this must be treated as if they are covered by the warranty. We recommend that you use the date of the control box or actuator as reference, if possible. We will have our purchase no. printed on the label.

Read more about the warranty period of the motorsystems in the standard user manuals found on www.linak.com/desklinedeskline.

Maintenance

Clean dust and dirt off the outside of the system at appropriate intervals and inspect them for damage and breaks. Inspect the connections, cables, and plugs and check for correct functioning as well as fixing points.

Description of the DESKLINE® Desk Frame 2

The Desk Frame 2 (DF2) is, as the name indicates, a complete frame from LINAK®. It is characterized by a rethought frame concept, evolved around a new top frame called the Beam. The Beam contains all electronics including the motor and all cable wiring. The DF2 is very fast and intuitive to assemble as the few parts are carefully designed to be either clicked together or attached with only a few screws.

The DF2 has a clean design. The lifting columns have no visible gliding pads and no punch holes in the profiles, and the internal wiring and pre-installed motor in the beam ensure that only the mains and the desk panel cables are visible. The DF2 is of the well-known LINAK quality and performance similar to other 3-part columns. As standard, the DF2 features the new anti-collision technology, Desk Sensor™ 1, ensuring that collisions with obstacles do not damage the furniture. The DF2 reuses the existing DESKLIFT™ Feet for mounting the lifting columns either on top of or recessed in the foot construction.

The method of packing ensures optimized logistics. All main components are packed individually and the quantity is aligned.

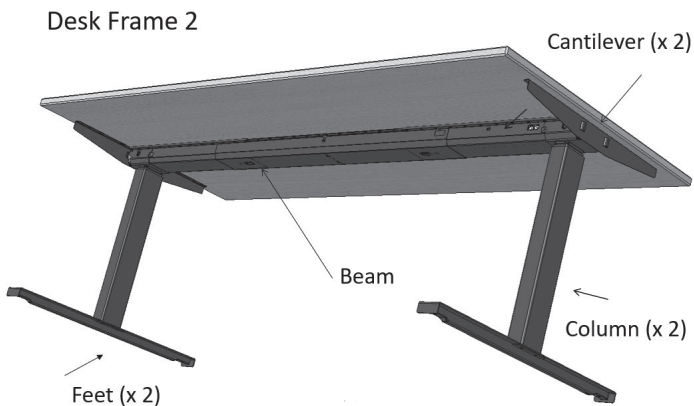


Figure 1 Names of the DF2 parts

With columns with a fully retracted length of 517 mm and a stroke length of 650 mm, it is possible for a DF2 system to obtain an adjustment range of the tabletop from e.g. 620 to 1270 mm, depending on the tabletop and the feet designs. Thus, the desk can be used for sitting as well as for standing types of work.

The DF2 can be delivered with a mounting kit consisting of:

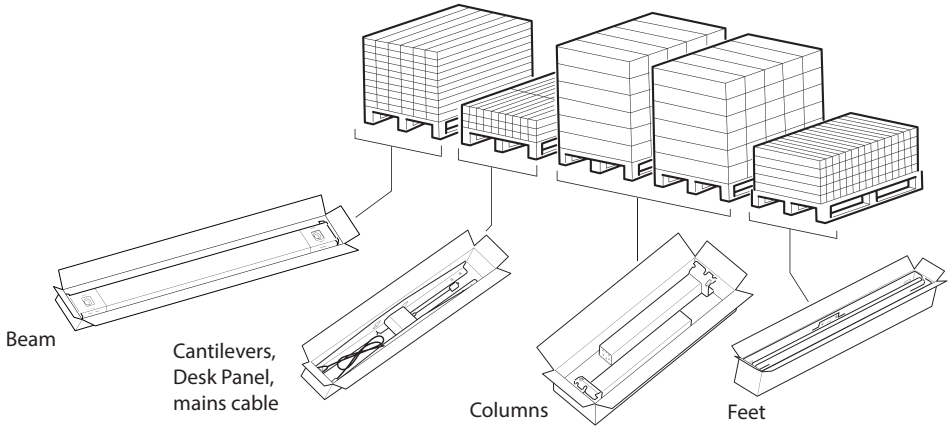
- 22 mounting screws for the beam and the cables (4.5 x 20 mm)
- 2 mounting screws for the desk panel (4.0 x 20 mm)
- 3 cable clamps (Ø6.6 mm)

Disassembly tool

Ordering code: SA1023W1241.

Set-packed solution

The DF2 is available as a set-packed solution.



For the set-packed solution the main components of a DF2 frame are packed in separate boxes meaning that a DF2 frame consists of 4 boxes:

- The beam (1 piece)
- The lifting columns (2 pieces)
- The cantilevers (2 pieces), the selected desk panel, mains cable and optionally a mounting kit containing screws for mounting the tabletop and the desk panel as well as cable relief clamps
- The feet (2 pieces including the screws for mounting and the adjustment screws for the foot)

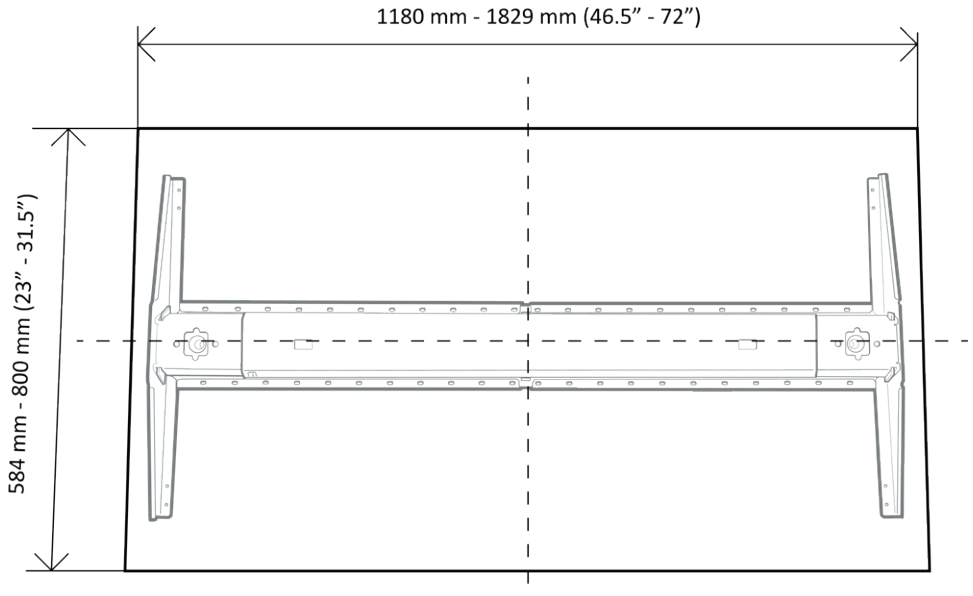
The set-packed solution simplifies logistics at the OEM end, making it easy to select the right components for the desk and ensuring that all parts are included.

A bulk-packed solution is typically an advantage for high volume OEMs who assemble the frames or the complete desks at their factories.

Mounting guidelines for the Desk Frame 2

Table size and type

The DF2 is designed for T-desks and must be mounted centrally on the tabletop.



DF2 mounted centrally on the tabletop



Recommended tabletop:

Material	Veneered chipboard
	Plywood
Thickness	Min. 21 mm (13/16")
Size	Min. 584 mm x 1180 mm (23" x 46.5")
	Max. 800 mm x 1829 mm (31.5" x 72")



Recommended feet:

LINAK feet 560 mm (22") or 710 mm (28").

For tabletop depth greater than 760 mm (30"): Use 710 mm (28") feet



Important:

The DF2 has a great feature which prevents overheating of the system. The temperature of the motor and the electronics is calculated by the SW during use and it depends on load, run time, etc. The DF2 duty cycle is 5 % \approx 1 minute continuous use at full load, followed by 19 minutes pause. If the DF2 is being used beyond the duty cycle, the system gets hot and stops, and the DPG will show error code E90. After a few minutes break, the DF2 will be able to run for another stroke. However, to cool down the system to factory settings, the DF2 must cool for at least 2 hours with the mains plugged in.

Please note:

If you disconnect mains, the DF2 SW cannot work and thus not calculate the temperature. When the system is powered on again, the SW will continue to calculate using the data from when the mains was disconnected.

Installation

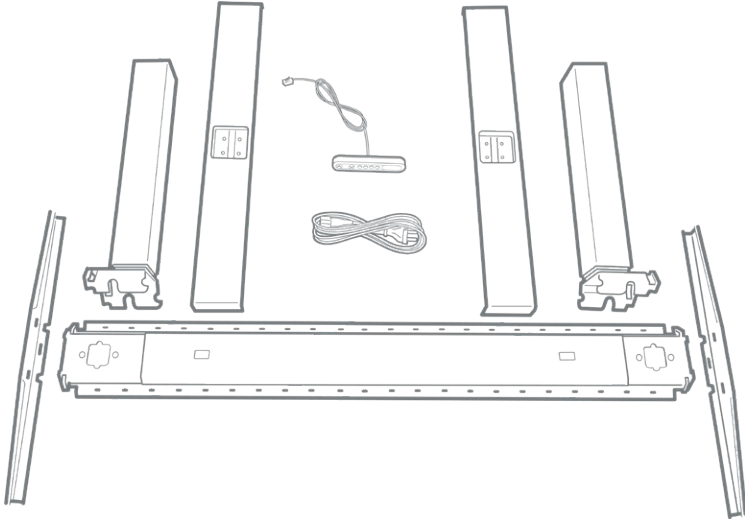


Check the packaging and the delivered items for visible damage and ensure that the drive shaft is mounted correctly and not pulled apart.

A mounting instruction video is available [here](#).

Assembling DF2 system

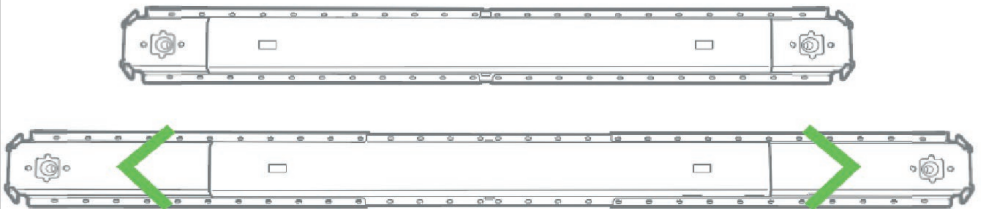
1. Gather all parts for the desk including the tabletop.



2. Turn the tabletop upside down.

3. Fix the beam length.

3.1. Extend the beam to the required length (1150 mm to 1750 mm (45" to 69"), adjustable in 50 mm (2") steps).



The beam must **not** be pulled completely apart in order not to pull the drive shaft apart.

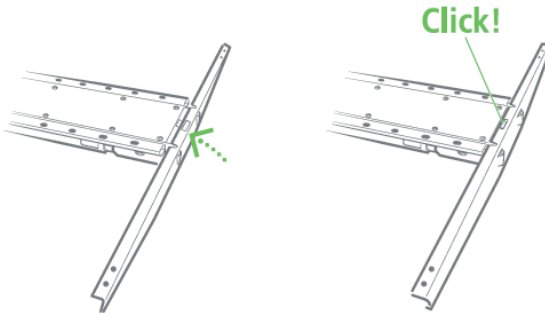


Minimum adjustment in the connection end is 100 mm (4") (to keep the power and RJ45 sockets accessible), otherwise adjustable in 50 mm (2") steps.

4. Mount the cantilevers.

4.1. Place a cantilever slightly tilted at the end of the beam.

4.2. Press the cantilever into place until a click is heard and the snap joint locks the cantilever in the correct position.



4.3. Mount the cantilever in the other end of the beam.



Check that the cantilever is placed correctly and cannot be twisted off the DF2 beam.



Do not extract the beam using the cantilevers as handles.

5. Place the assembled DF2 frame in the correct position.

Use a tape measure to ensure central placement of the DF2 frame.

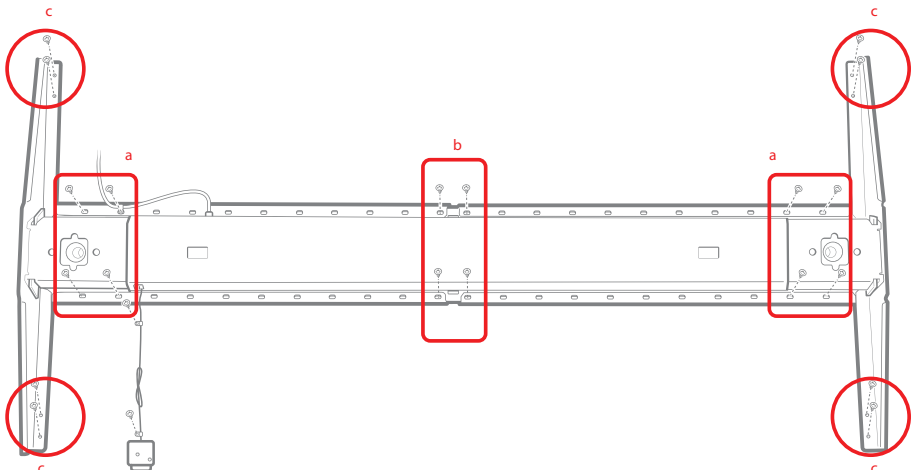
6. Fasten the DF2 frame to the tabletop using 20 mounting screws as follows:

6.a. 8 screws at the ends of the beam.

Use one of these to fix the mains cable to the beam with a cable clamp creating a cable relief, see step 9.
Connect power cable.

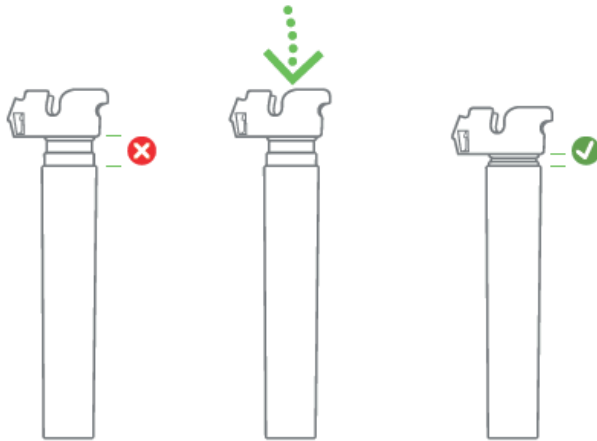
6.b. 4 screws at the extension points.

6.c. 8 screws in the cantilevers.



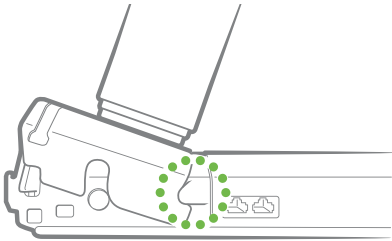
7. Mount the columns.

7.1. Ensure that the columns are completely retracted.

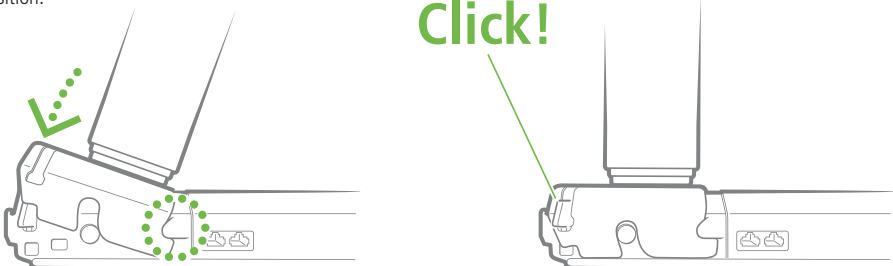


If the column extracts when turned upside down, press by hand to completely retracted position.

7.2. Tilt the columns and place them correctly on the beam using the guiding notches.



7.3. Fix the column to the beam by pressing down until a "click" is heard and **both** pawls lock the column in the correct position.



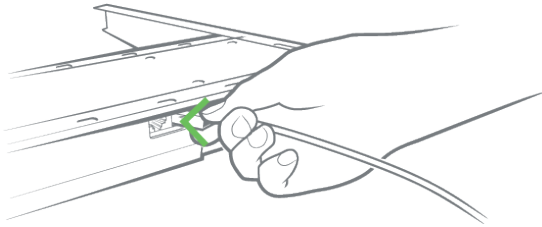
Check that both pawls are visible after mounting of the columns. Otherwise, remove the column and try again (see Disassembly, steps 4 and 5).

8. Mount the desk panel



Ensure that only one desk panel at the time is connected to the DF2.

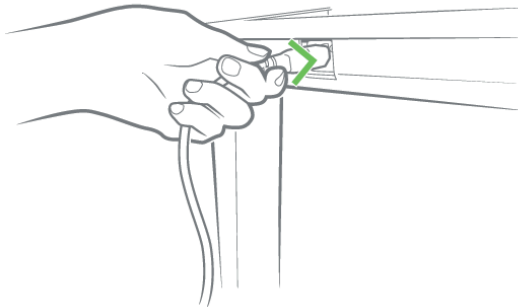
8.1 Connect the desk panel in one of the RJ45 sockets.



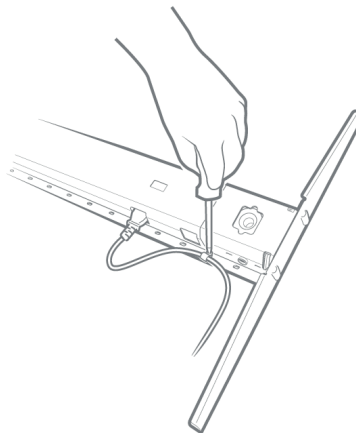
8.2. Fasten the desk panel to the tabletop using the mounting screws.

8.3. Fasten the cable to the tabletop using two screws and two cable clamps.

9. Connect the power cable.

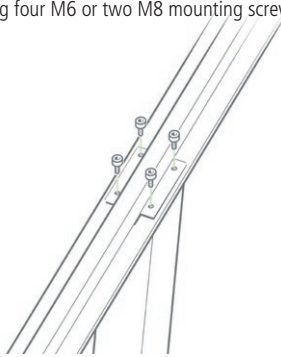


Ensure to make a cable relief using the cable clamp when fastening the cable to the tabletop.



10. Mount the feet

10.1 Mount the feet on the columns using four M6 or two M8 mounting screws for each foot.

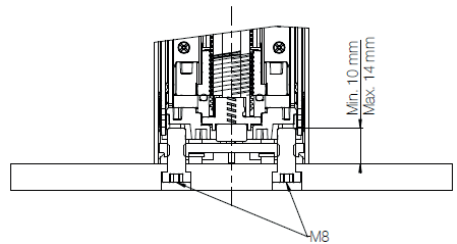
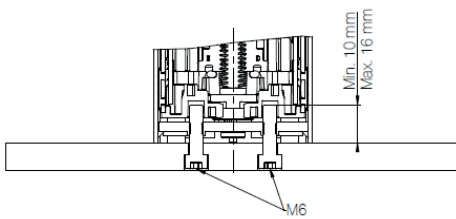


The DF2L06 columns are supplied with four M6 and two M8 threaded holes. For mounting the feet, always use four M6 or two M8 screws with the following specifications:

Quality: Min. grade 8.8

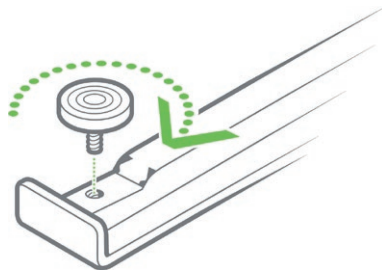
Length: Min. 10 mm (plus foot thickness); max. 16 mm (plus foot thickness)

10.2. Fasten the screws thoroughly (torque: max. 10 Nm).



Column bottom mounted on desk foot (left: M6; right: M8)

10.3. Mount the adjustment screws.



11. Turn the table around.

12. Connect to the mains supply.

Your desk is now ready for use.

Disassembly

A disassembling instruction video is available [here](#).

For disassembling the DF2, use a disassembly tool (ordering code SA1023W1241).

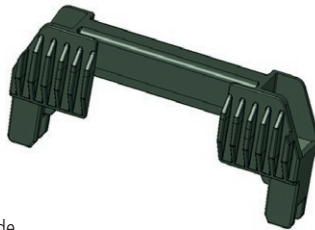
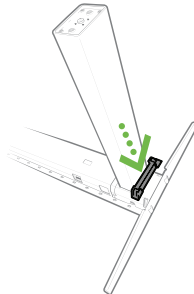


Figure 6 Disassembly tool

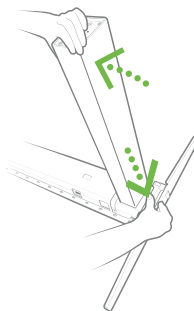
The disassembly tool has ridges on one side.

Disassembling the DF2

1. Drive the desk to its minimum height so the columns are completely retracted.
2. Disconnect from the mains supply.
3. Turn the table upside down.
4. Disconnect, unscrew and remove the desk panel.
5. Unscrew and remove the feet.
6. Place the disassembly tool on the beam with the ridges facing towards the cantilever.
7. Press straight down to loosen the cantilever and make pawl release the column.



8. At the same time press the disassembly tool down and tilt the column to remove it from the beam.



9. Unscrew the DF2 beam from the tabletop.
10. Twist the cantilever slightly to release it from the beam.
11. Disassemble the rest of the system.

Accessories and repair

Ordering accessories

Order from your nearest LINAK® contact, distributor or subsidiary.

Accessories

Please contact your nearest LINAK® contact, distributor or subsidiary.

Repairs

Systems should only be repaired by an authorised LINAK service centre or engineer. Systems to be repaired under warranty must be sent to an authorised LINAK service centre.



Warning!

By unauthorised opening of the system there is a risk that it may malfunction at a later date.

Spare parts

Please contact your nearest LINAK contact for information on spare parts.

LINAK APPLICATION POLICY

The purpose of the application policy is to define areas of responsibilities in relation to applying a LINAK product defined as hardware, software, technical advice, etc. related to an existing or new customer application.

LINAK products, as defined above, are applicable for a wide range of applications within the Medical, Furniture, Desk and Industry areas. Yet, LINAK cannot know all the conditions under which LINAK products will be installed, used, and operated, as each individual application is unique.

The suitability and functionality of the LINAK product and its performance under varying conditions (application, vibration, load, humidity, temperature, frequency, etc.) can only be verified by testing, and shall ultimately be the responsibility of the LINAK customer using any LINAK product.

LINAK shall be responsible solely that the LINAK products comply with the specifications set out by LINAK and it shall be the responsibility of the LINAK customer to ensure that the specific LINAK product can be used for the application in question.

Disposal of LINAK products

As LINAK customers often ask us how our products can be disposed or scrapped we have prepared this guide that enables a classification to different waste fractions for recycling or combustion.

Guide

We recommend our products to be disassembled as much as possible and divided into different waste groups for recycling or combustion.

For example, waste can be sorted into metals, plastics, cable scrap, combustible material, and recoverable resources.

Some of these main groups can be further divided into subgroups; e.g. metal can be divided into steel/aluminium/copper and plastic can be divided into ABS/PA/PE/PP.

As an example, the table below breaks down the different components in LINAK products to various recycling groups:


Product	Component	Recycling group
Column/Actuator	Spindle and motor	Metal Scrap
	Plastic housing	Plastic recycling or combustion
	Cable	Cable scrap or combustion
	PCB board	Electronics scrap
Control box	PCB board	Electronics scrap
	Plastic housing	Plastic recycling or combustion
	Transformer	Metal scrap

By now almost all our cast plastic parts are supplied with an interior code for plastic type and fibre content, if any.



Main groups of disposal

Product main groups	Metal scrap	Cable scrap	Electronics scrap	Plastic recycling or combustion	Comments
DF2 Beam	X	X	X	X	
DF2 Cantilever	X				
DF2 Column	X	X	X	X	
DF2 Feet	X				

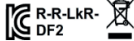

Labels for DF2



Designed in Denmark
DK - 6430 Nordborg

Model : DF2
Item : DF2B00004
Type : DF2B000100A00000A009
Date : 2020.11.06
U In : 230-240V~, 50-60 Hz
P In, max. : 350W
P Out : 200 W, 2 x 5 Nm
Duty Cycle: Int. 5%, Max. 1 min. / 19 min.
S.W. P/N. : 03002015v1-05 / 03002014v1-05

NOT TO BE OPENED BY UNAUTHORIZED PERSONNEL.
FOR USER MANUAL PLEASE VISIT www.linak.com/user-manuals/desktop/
W/D# 1234564-0001

MADE IN DENMARK



Designed in Denmark
DK - 6430 Nordborg




Model : DF2
Item : DF2B00003X
Type : DF2B000100D00000A109
Date : 2020.11.06
U In : 120V~, 50-60 Hz
P In, max. : 350W
P Out : 200 W, 2 x 5 Nm
Duty Cycle: Int. 5%, Max. 1 min. / 19 min.
S.W. P/N. : 03002015v1-05 / 03002014v1-05



Input: 100V-



File E151104 LISTED E506465

WARNING
RISK OF FIRE, ELECTRICAL SHOCK, USE ONLY SJ TYPE 18 AWG CORD. RISK OF SHOCK OR PERSONAL INJURY - READ INSTRUCTIONS TO DETERMINE THE APPROPRIATE SIZE, SHAPE AND WEIGHT OF WORK SURFACE. RISK OF PERSONAL INJURY - NOT TO BE USED IN LOCATIONS WHERE CHILDREN OR PEOPLE WITH COGNITIVE DISABILITIES ARE ANTICIPATED TO BE PRESENT.

NOT TO BE OPENED BY UNAUTHORIZED PERSONNEL.
FOR USER MANUAL PLEASE VISIT www.linak.com/user-manuals/desktop/
W/D# 1234564-0001

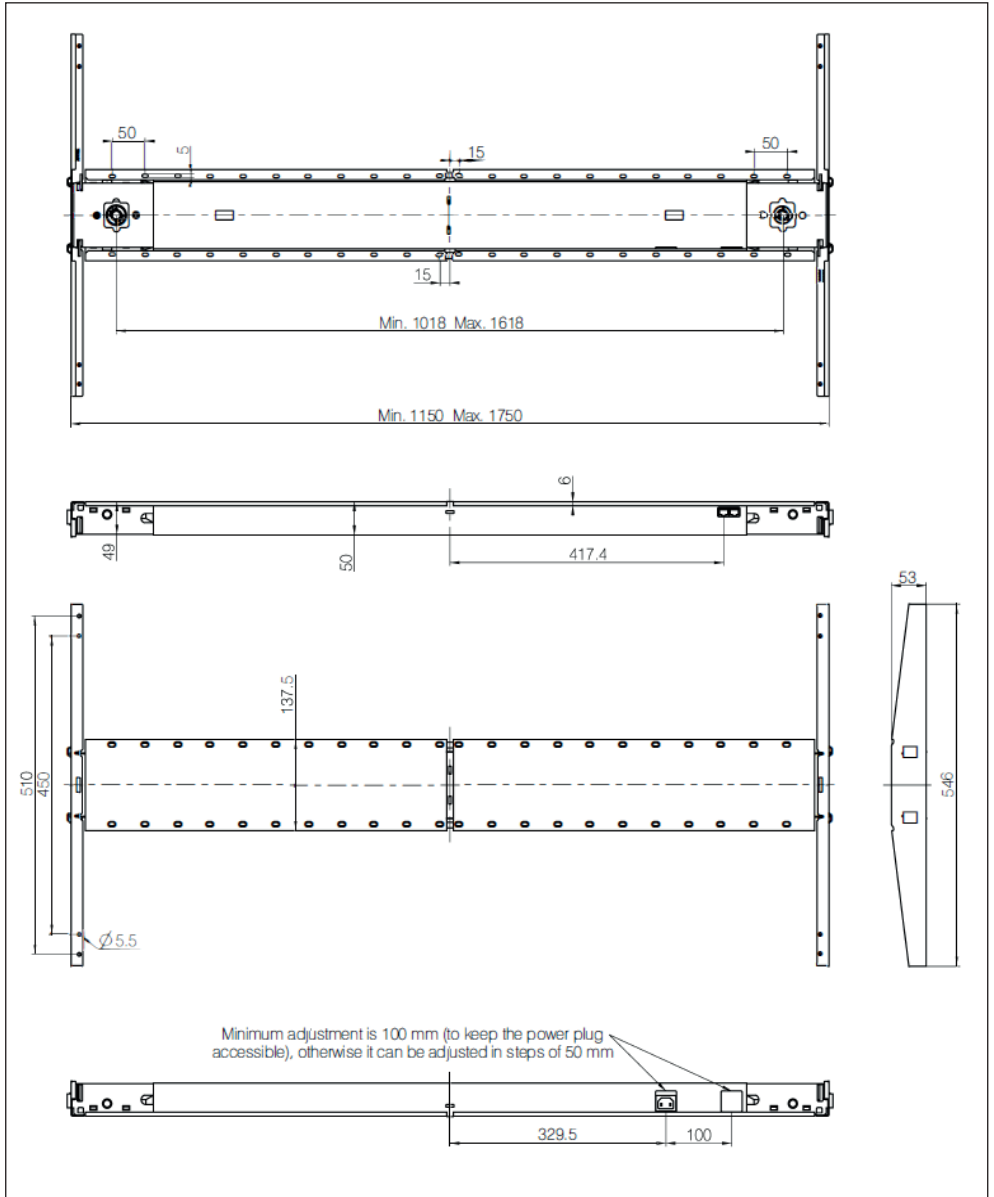
MADE IN DENMARK

DRAWING APPENDIX

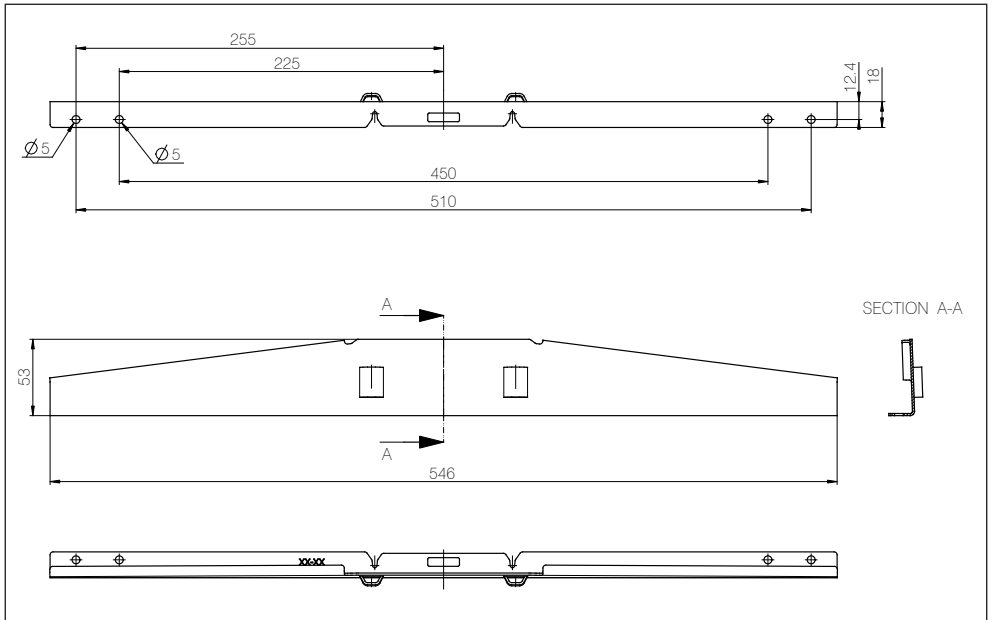


All measurements are without powder coating.

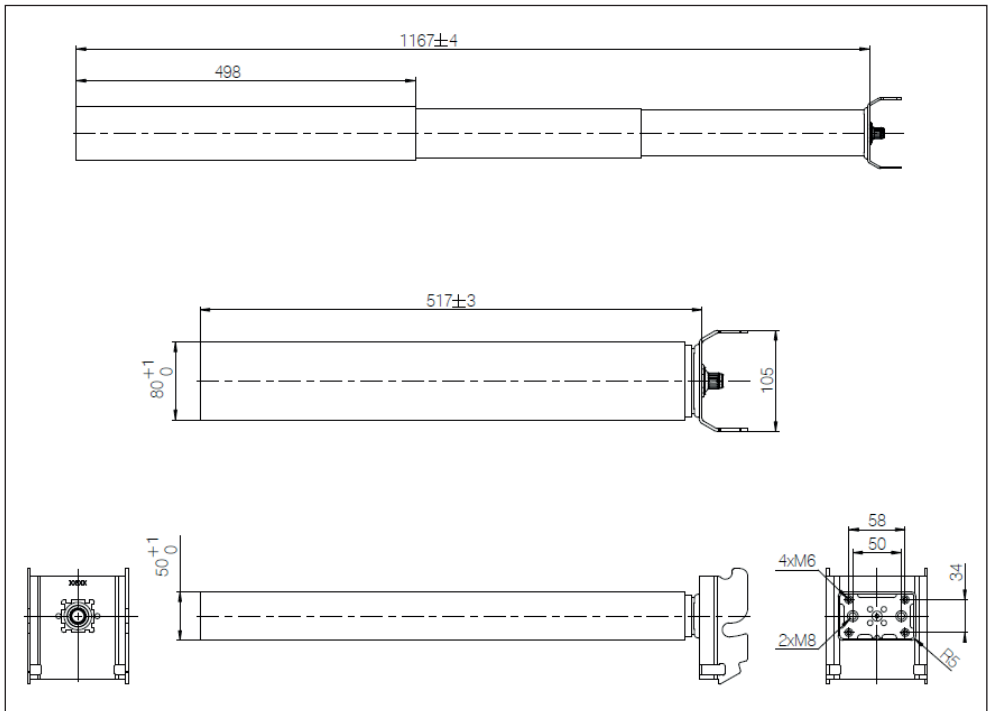
Desk Frame 2 Beam



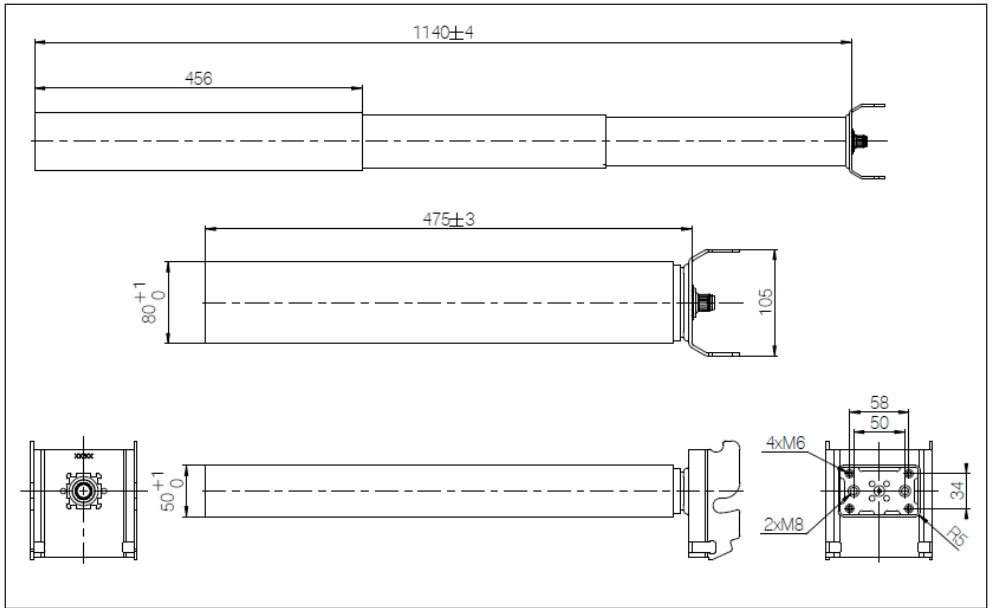
Desk Frame 2 Cantilever



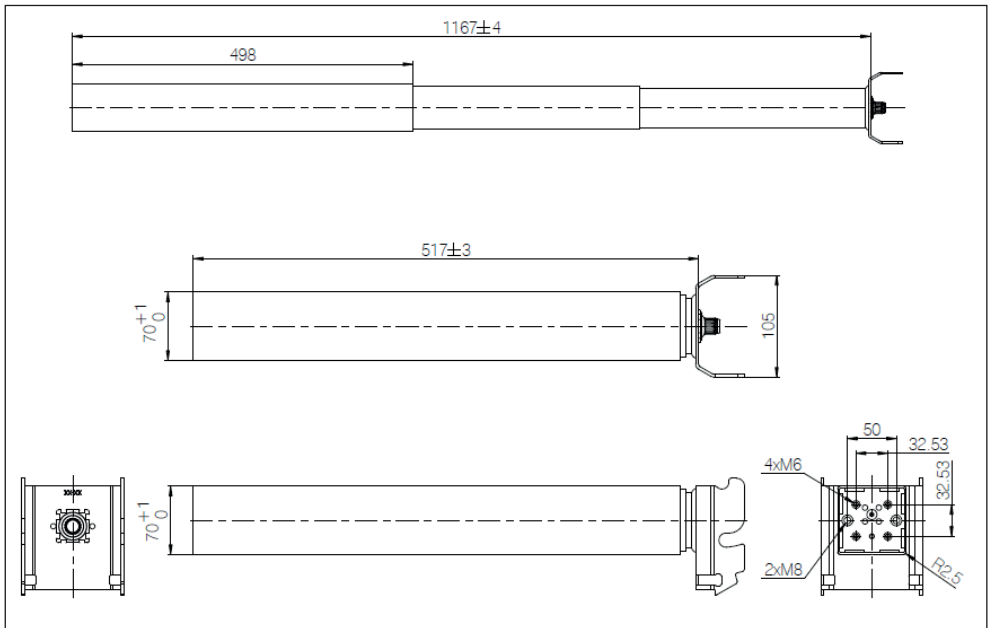
Desk Frame 2 Column (DF2LS06 Standard)



Desk Frame 2 Column (DF2LS06 BIFMA)



DF2LS19 Standard



FACTORIES

• Denmark

LINAK A/S
Group Headquarters
Tel: +45 73 15 15 15
Fax: +45 74 45 80 48
Fax (Sales): +45 73 15 16 13
www.linak.com

• Denmark

LINAK Profiles
Tel: +45 73 70 95 30
www.linak-profiles.com

• China

LINAK (Shenzhen) Actuator Systems, Ltd.
Tel: +86 755 8610 6656
Fax: +86 755 8610 6990
www.linak.cn

• Slovakia

LINAK Slovakia s.r.o.
Tel: +421 51 7563 444
Fax: +421 517563 410
www.linak.sk

• Thailand

LINAK APAC Ltd.
Tel: +66 33 265 400
www.linak.com

• USA

LINAK U.S. Inc.
Americas Headquarters
Tel: +1 502 253 5595
Fax: +1 502 253 5596
www.linak-us.com

SUBSIDIARIES

• Australia

LINAK Australia Pty. Ltd
Tel: +61 3 8796 9777
Fax: +61 3 8796 9778
www.linak.com.au

• Austria

LINAK Repräsentanz
Österreich (Wien)
Tel: +43 (1) 890 7446
Fax: +43 (1) 890 744615
www.linak.at - www.linak.hu

• Belgium

LINAK Benelux
(Belgium & Luxembourg)
Tel: +32 (0)9 230 01 09
www.linak.be - www.fr.linak.be

• Brazil

LINAK Do Brasil Comércio De Atuadores Ltda.
Tel: +55 (11) 2832 7070
Fax: +55 (11) 2832 7060
www.linak.com.br

• Canada

LINAK Canada Inc.
Tel: +1 502 253 5595
Fax: +1 416 255 7720
www.linak-us.com

• China

LINAK (Shenzhen) Actuator Systems, Ltd.
Tel: +86 755 8610 6656
Fax: +86 755 8610 6990
www.linak.cn

• Czech Republic

LINAK C&S s.r.o.
Tel: +42 058 174 1814
Fax: +42 058 170 2452
www.linak.cz - www.linak.sk

• Denmark - Headquarters

LINAK A/S - Group Headquarters
Tel: +45 73 15 15 15
Fax: +45 74 45 80 48
Fax (Sales): +45 73 15 16 13
www.linak.com

• Denmark - International

LINAK International
Tel: +45 73 15 15 15
www.linak.com

• Denmark - Sales

LINAK DANMARK A/S
Tel: +45 86 80 36 11
Fax: +45 86 82 90 51
www.linak.dk

• Finland

LINAK OY
Tel: +358 10 841 8700
www.linak.fi

• France

LINAK FRANCE E.U.R.L
Tel: +33 (0) 2 41 36 34 34
Fax: +33 (0) 2 41 36 35 00
www.linak.fr

• Germany

LINAK GmbH
Tel: +49 6043 9655 0
Fax: +49 6043 9655 60
www.linak.de

• India

LINAK A/S India Liaison Office
Tel: +91 120 4531797
Fax: +91 120 4786428
www.linak.in

• Ireland

LINAK UK Limited (Ireland)
Tel: +44 (0)121 544 2211
Fax: +44 (0)121 544 2552
+44 (0)796 855 1606 (UK Mobile)
+35 387 634 6554 (Republic of Ireland Mobile)
www.linak.co.uk

• Italy

LINAK ITALIA S.r.l.
Tel: +39 02 48 46 33 66
Fax: +39 02 48 46 82 52
www.linak.it

• Japan

LINAK K.K.
Tel: 81-45-533-0802
Fax: 81-45-533-0803
www.linak.jp

• Malaysia

LINAK Actuators Sdn. Bhd.
Tel: +60 4 210 6500
Fax: +60 4 226 8901
www.linak.my

• Netherlands

LINAK Benelux
Tel: +31 76 5 42 44 40
www.linak.nl

• New Zealand

LINAK New Zealand Ltd
Tel: +64 9580 2071
Fax: +64 9580 2072
www.linak.com.au

• Norway

LINAK Norge AS
Tel: +47 32 82 90 90
www.linak.no

• Poland

LINAK Polska
LINAK Danmark A/S (Spółka Akcyjna)
Tel: +48 22 295 09 70/22 295 09 71
www.linak.pl

• Republic of Korea

LINAK Korea Ltd.
Tel: +82 2 6231 1515
Fax: +82 2 6231 1516
www.linak.kr

• Russia

LINAK LLC
Tel: +7 495 780 3161
Fax: +7 495 687 1426
www.linak.ru

• Slovakia

LINAK Slovakia s.r.o.
Tel: +421 51 7563 444
www.linak.sk

• Spain

LINAK Actuadores, S.L.u
Tel: +34 93 588 27 77
Fax: +34 93 588 27 85
www.linak.es

• Sweden

LINAK Scandinavia AB
Tel: +46 8 732 20 00
Fax: +46 8 732 20 50
www.linak.se

• Switzerland

LINAK AG
Tel: +41 43 388 31 88
Fax: +41 43 388 31 87
www.linak.ch - www.fr.linak.ch
www.it.linak.ch

• Taiwan

LINAK (Shenzhen) Actuator systems Ltd.
Taiwan Representative office
Tel: +886 2 27290068
Fax: +886 2 27290096
www.linak.tw

LINAK APAC Ltd.
Tel: +66 33 265 400

Turkey
LINAK İth. İhr. San. ve Tic. A.Ş.
Tel: +90 312 4726338
Fax: +90 312 4726635
www.linak.com.tr

• United Kingdom

LINAK UK Limited
Tel: +44 (0)121 544 2211
Fax: +44 (0)121 544 2552
www.linak.co.uk

• USA

LINAK U.S. Inc.
North and South American Headquarters
Tel: +1 502 253 5595
Fax: +1 502 253 5596
www.linak-us.com
www.linak-latinamerica.com

DISTRIBUTORS

• Argentina

NOVOTEC ARGENTINA SRL
Tel: 011-4303-8989/8900
Fax: 011-4032-0184
www.novotecargentina.com

• Colombia

MEM Ltda
Tel: +57 (1) 334-7666
Fax: +57 (1) 282-1684
www.mem.net.co

• India

Mechatronics Control Equipments India Pvt Ltd
Tel: +91-44-28558484, 85
www.mechatronicscontrol.com

• Indonesia

PT. HIMALAYA EVEREST JAYA
Tel: +6 221 544 8956/221 544 8965
Fax: +6 221 619 1925
Fax (Sales): +6 221 619 4658
www.hej.co.id

• Iraq

Scan Medical Tech
Tel: +964 770 470 2202

• Israel

NetivTech LTD
Tel: +972 55-2266-535
Fax: +972 2-9900-560
www.netivtech.com

• Kingdom of Bahrain

Mechatronics Industrial Equipments
Tel: +973 17280059
Fax: +973 17910045
www.mechatronicsbh.com

• Qatar

Mechatronics Industrial Equipments
Tel: +974 44581155
Fax: +974 44689135
www.mechatronicsqatar.com

• Russia

OOO FAM
Tel: +7 812 3319333
Fax: +7 812 3271454
www.fam-drive.ru

• Singapore

Servo Dynamics Pte Ltd
Tel: +65 6844 0288
Fax (Sales): +65 6844 0070

• South Africa

Industrial Specialised Applications CC
Tel: +27 011 466 0346
www.isaza.co.za

• United Arab Emirates

Mechatronics Industrial Equipments LLC
Tel: +971 4 267 4311
Fax: +971 4 267 4312
www.mechatronics.ae

LINAK® accepts no responsibility for possible errors or inaccuracies in catalogues, brochures, and other material. LINAK reserves the right to change its products without prior notice. LINAK cannot guarantee product availability and reserves the right to discontinue the sale of any product. The user is responsible for determining the suitability of LINAK products for a specific application. All sales are subject to the 'Standard Terms of Sale and Delivery', available on LINAK websites. LINAK and the LINAK logotype are registered trademarks of LINAK A/S. All rights reserved.

LINAK® 

WE IMPROVE YOUR LIFE