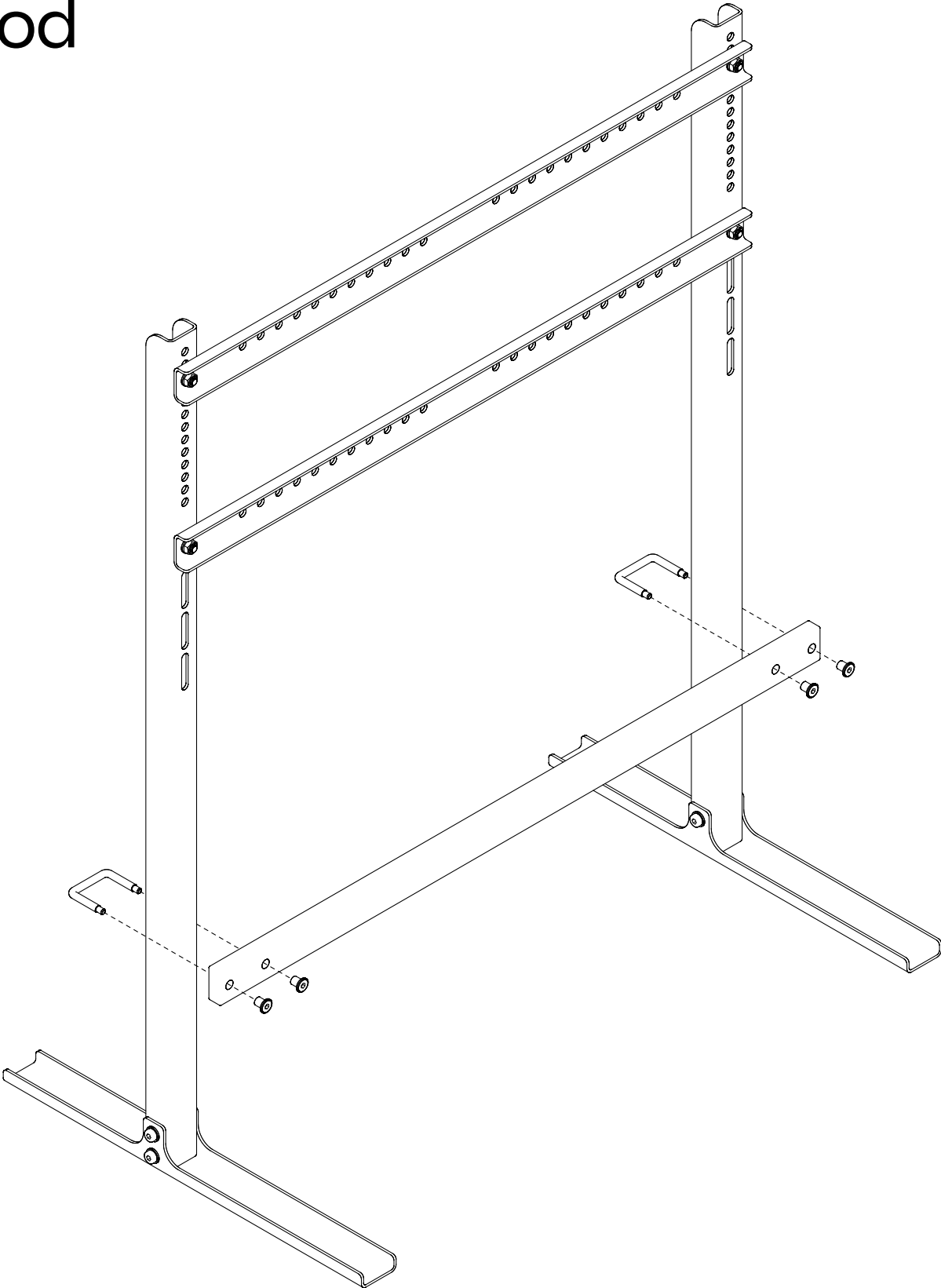


Crossbar
Wood

Assembly
Guide

pedestal®

Crossbar Wood



Task

Mount the bar loosely onto the stand using the included u-brackets as shown. Adjust the height. Tighten all connections.

Parts

- 2 x U-brackets
- 4 x M6 Sleeve nuts

