

Cane

Assembly
Guide

pedestal®



Congratulations on your new Pedestal product.

We welcome you on our journey towards creating flexible interior design solutions for tv-screens.

Back in the day, televisions were design objects – beautifully made, and put on display. But somewhere along the line, we began to care less about how they look.

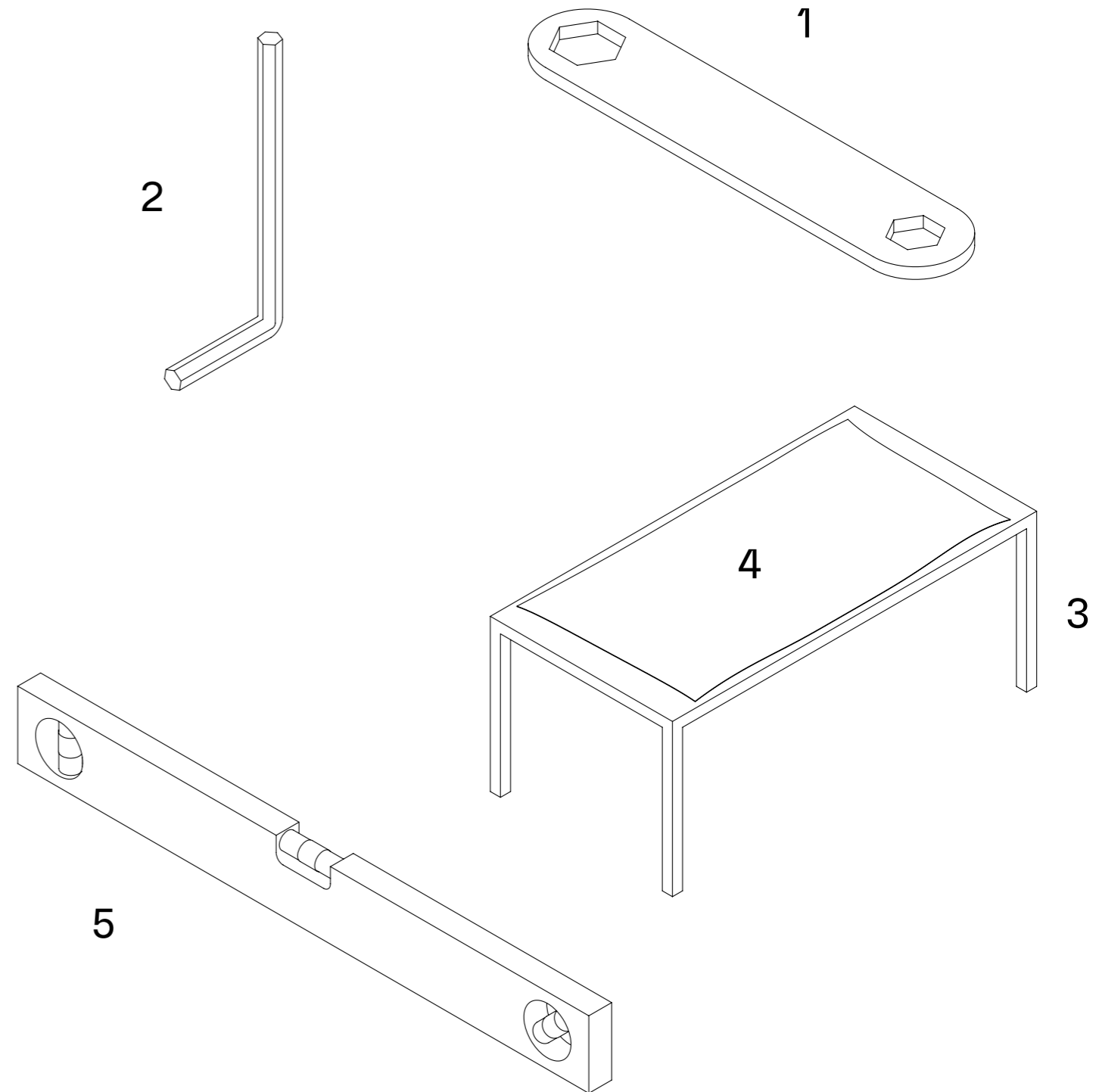
Most of us have a big screen at home. Personally, we love them. We watch, zap, and binge with a single click. But making them look good? Now, that's a challenge.

Mounts, pods, links, stands, call them what you want. Those things that hold your screen can really ruin your feng shui. Setting up your screen at home can feel like choosing between a living room – or a screening room.

So, we founded Pedestal.

We're a small team of people who design furniture that hold screens, inspired by 20th century industrial aesthetics. They should look good and work just right. That's it.

Tools

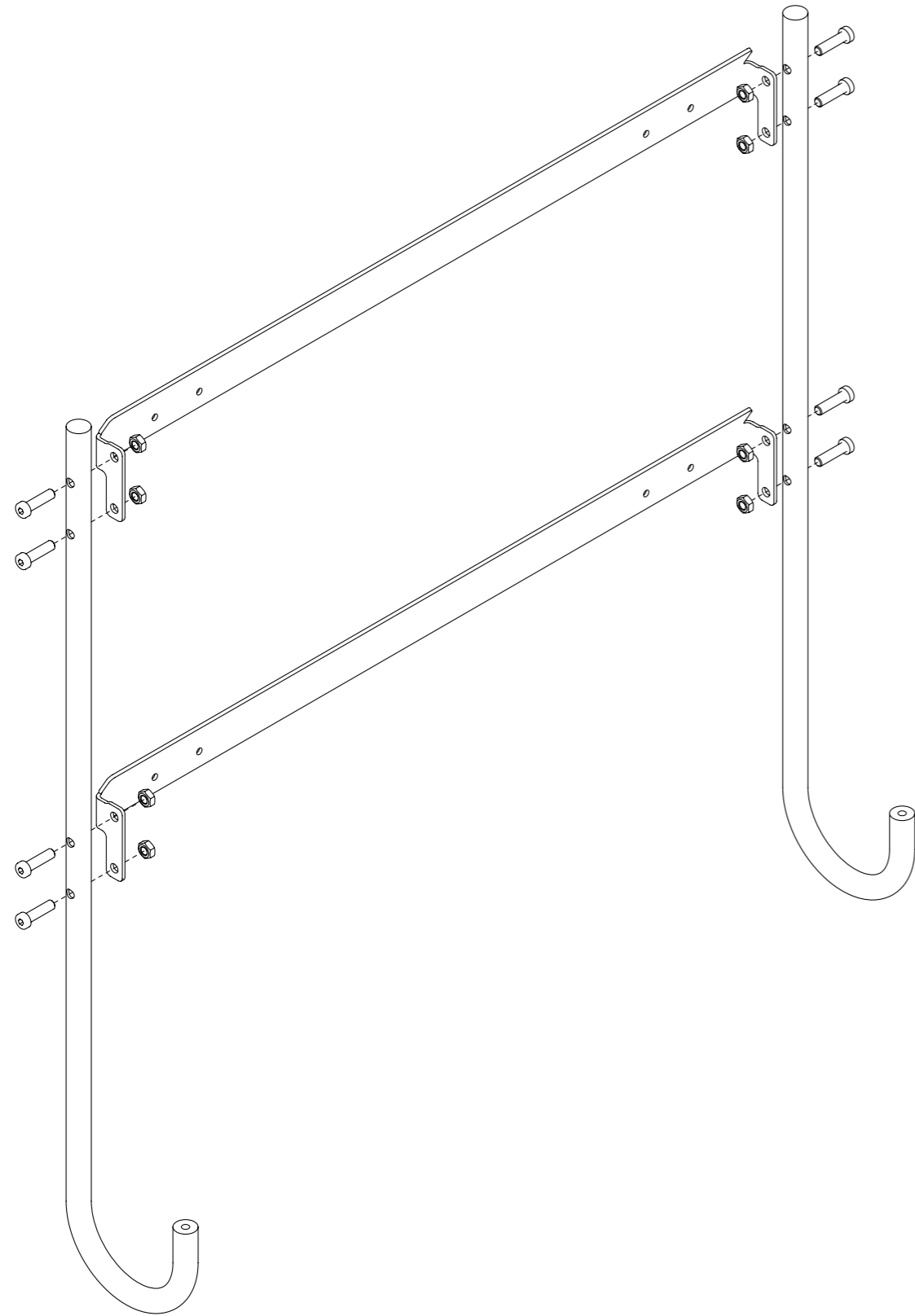


You will need the tools listed below:

- 1: Wrench (Provided in the hardware bag)
- 2: Hex key (Provided in the hardware bag)
- 3: Table
- 4: Soft cloth or blanket
- 5: Spirit level
- 6: Assisting friend



1.0 Mount brackets

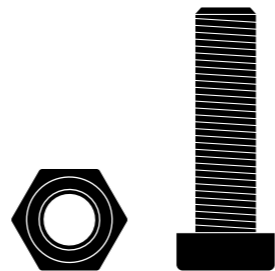


Task

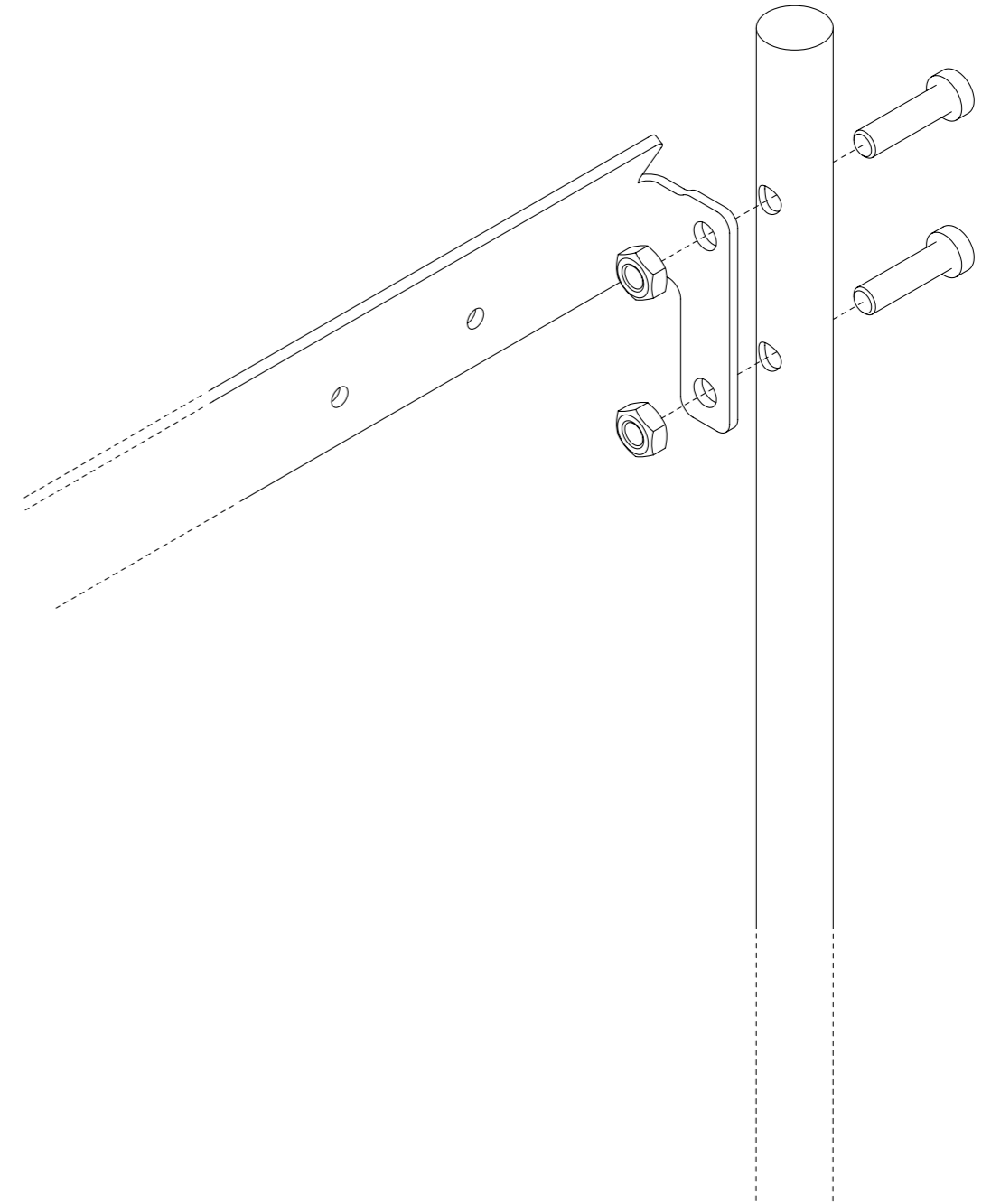
Mount the brackets horizontally onto both sides as shown.
Tighten all connections.

Parts

- 8 x M8 x 30 mm bolts
- 8 x M8 Nuts

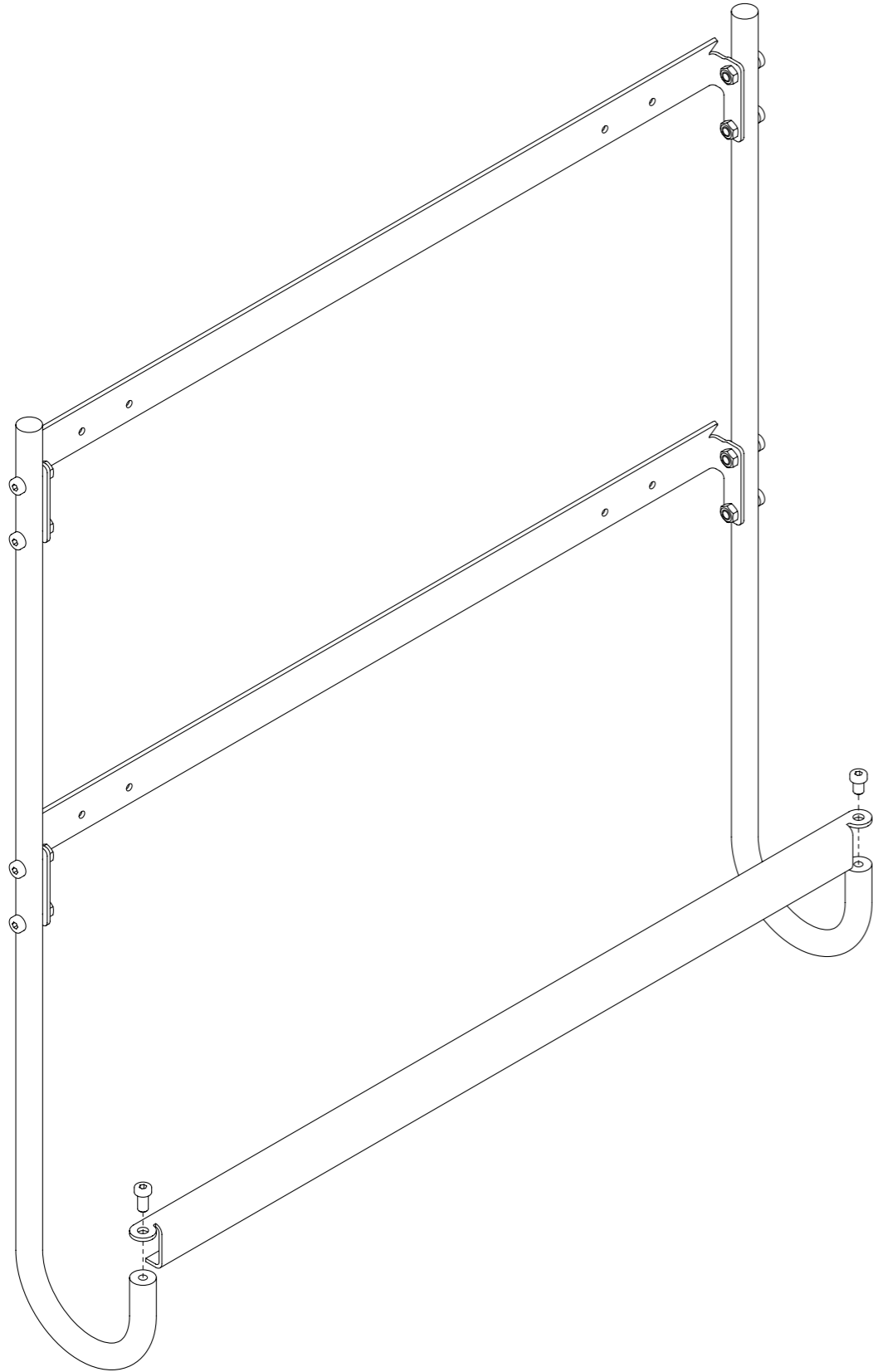


1.1 Mount brackets detail



Detailed view of step 1.0.

2.0 Mount crossbar



Task

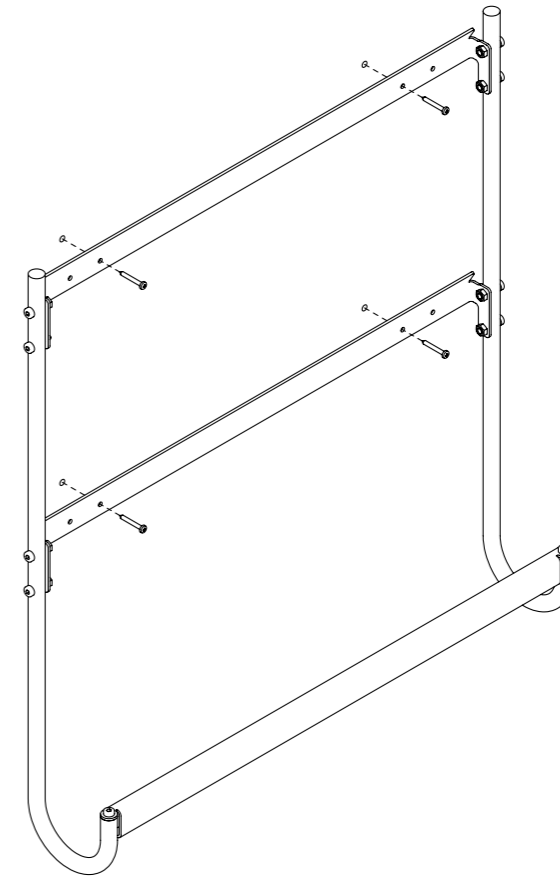
Mount crossbar as shown.
Tighten all connections.

Parts

2 x M8 x 16 mm



3.0 Mount to wall



Task

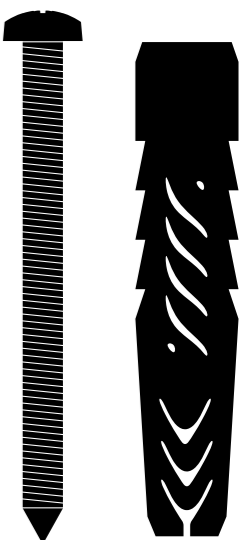
Mark the placement of the holes on the suspension brackets, using a spirit level and a pencil. Drill four Ø8 mm holes and insert the included wall plugs. Fasten the screen mount to the wall, using the included screws.

Parts

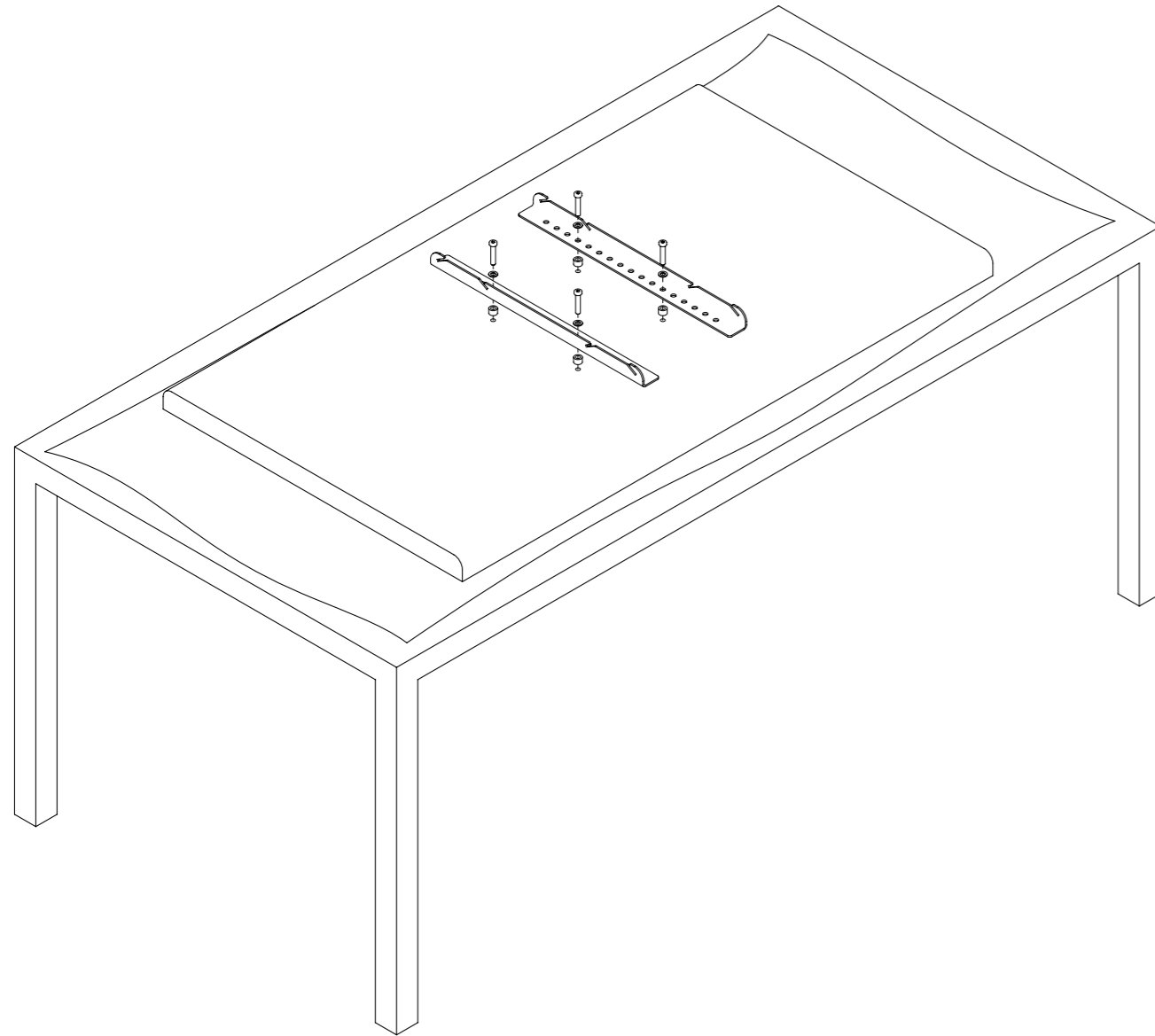
4 x Wall mounting screws
4 x Wall plugs



WARNING!
Incorrect assembly and installation of the wall mount can cause damage to the attached equipment and its surroundings. To prevent the wall mount from detaching from the wall, the product must be mounted with the correct plugs and screws. The included universal plugs and screws may, in rare instances, not be suitable for your wall. Use screws and plugs suitable for your walls. If you are uncertain, seek professional advice.



4.0 Mount TV brackets



Task

Place your screen facing backside up on a tabletop with a soft cloth or blanket between the two in order to protect both. Mount the TV brackets vertically using the fitting holes.

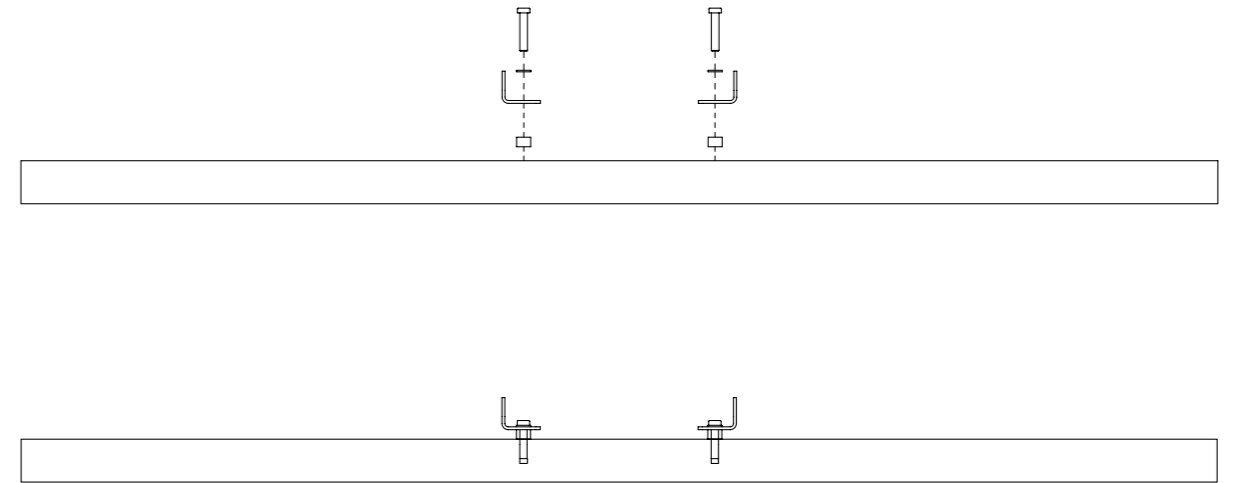
For correct fit, see step 4.1

Parts

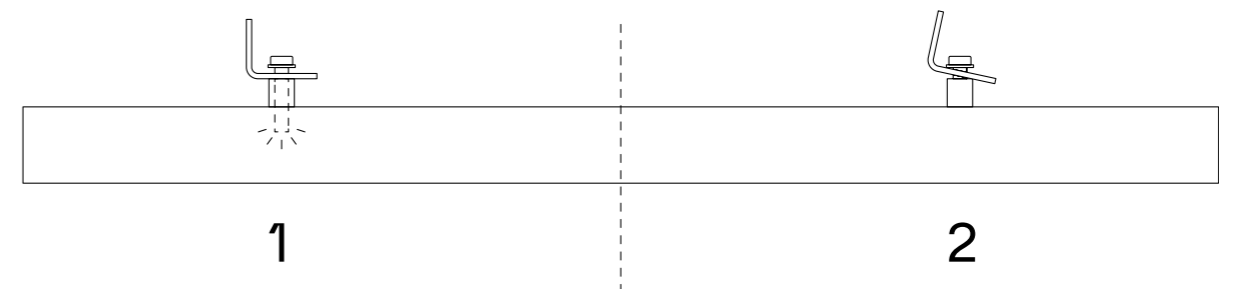
4 x suitably sized bolts
4 x M6/M8 washers
At least 4 x suitably sized spacers

4.1 TV brackets fitting

Correct fit



Incorrect fit



Do not panic!

You will not need all of the remaining hardware. The large selection of remaining hardware is to accommodate as many different screens as possible.

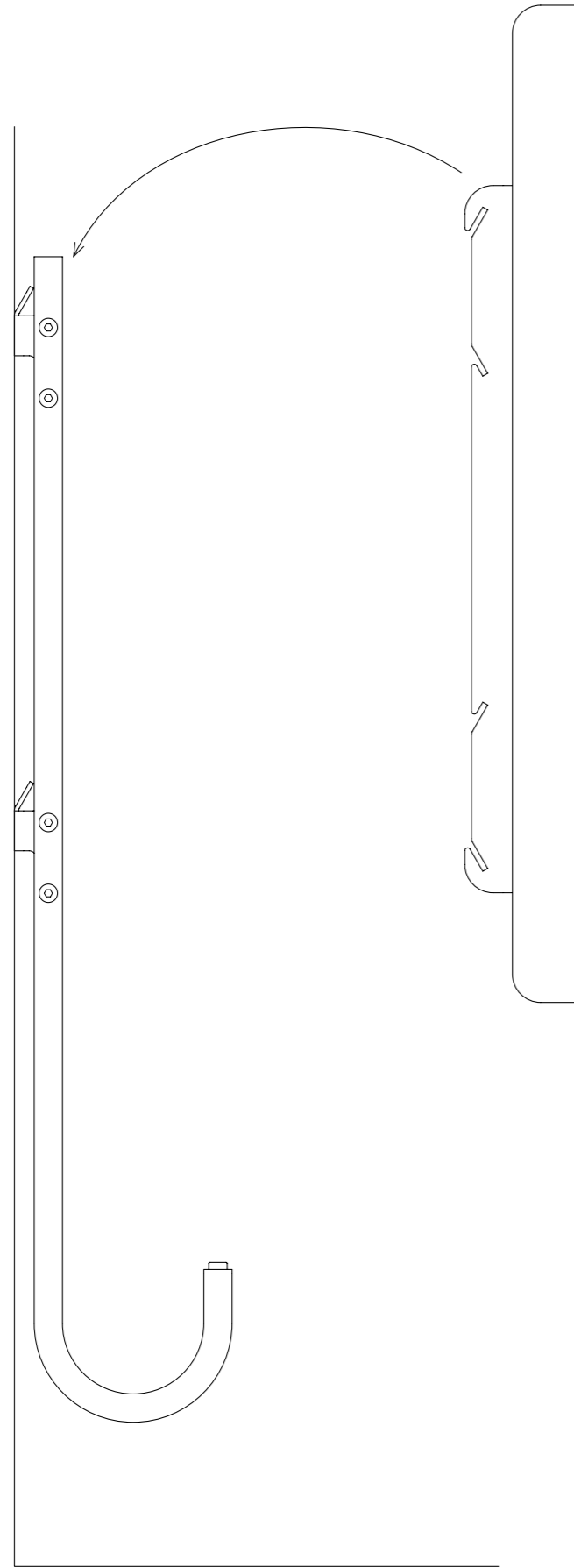
For a correct fit you will have to identify the right combination of provided spacers, washers and bolts.

Place the spacers between the screen and the brackets to ensure that the brackets do not touch the screen.

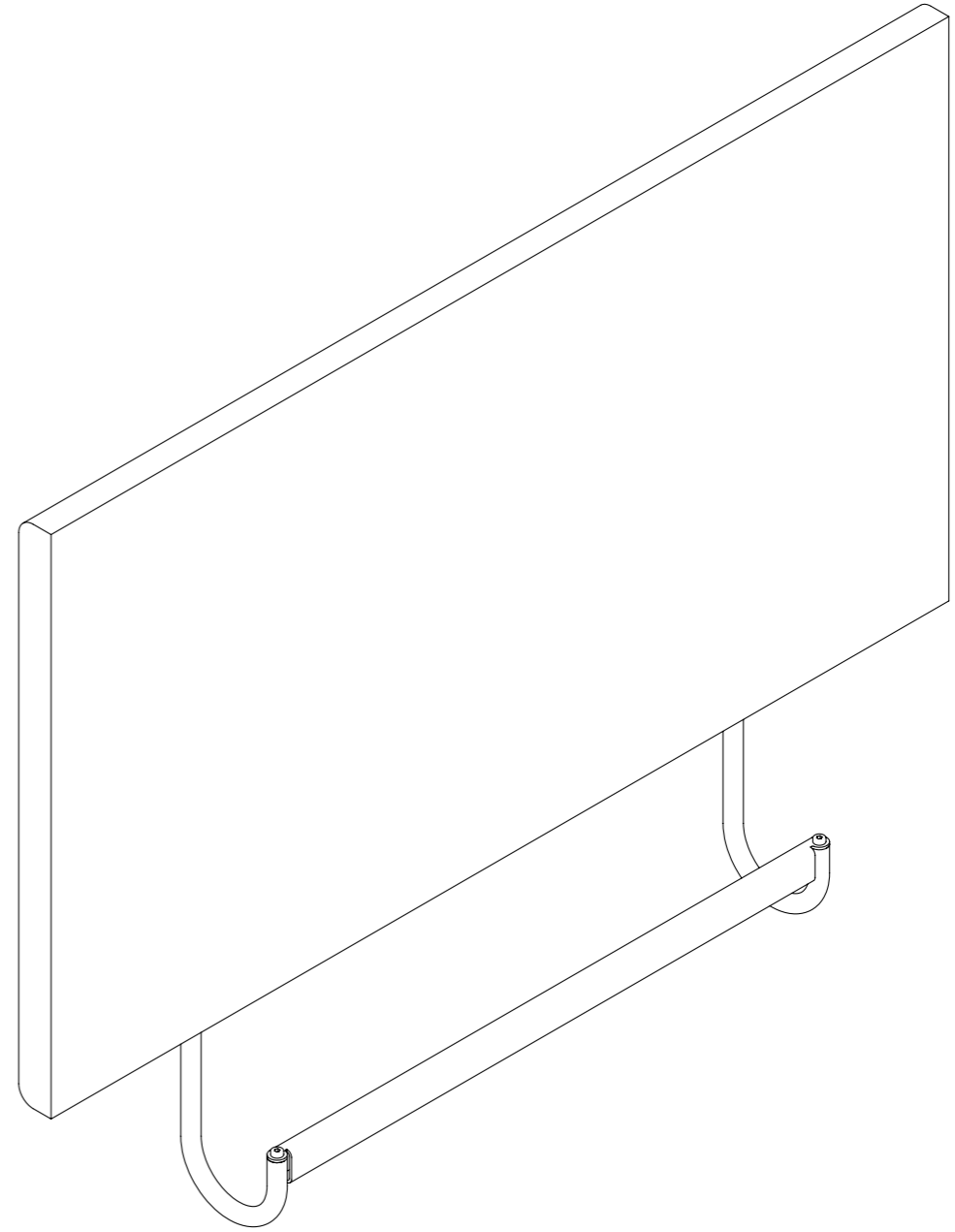
If for instance your screen has a curved backside, you might have to use more than one layer of spacers.

Now screw the appropriately dimensioned bolts with washers through the brackets and spacers into the threaded holes on the backside of the screen. Tighten the bolts until you have a snug fit. Be sure not to overtighten. The bolts must not reach the bottom of the threaded holes. Overtightening might cause damage to your screen.

5.0 Mount TV



All done



Task

Place your screen on the wall bracket.

Screen steady

Popcorn ready

pedestal®

