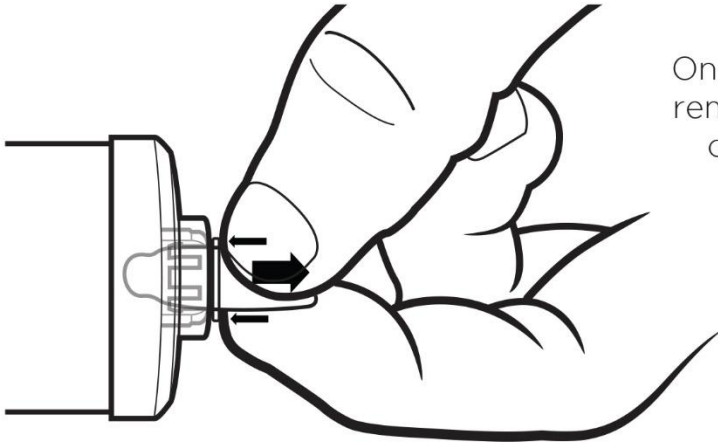


WATER REVIVAL SYSTEM

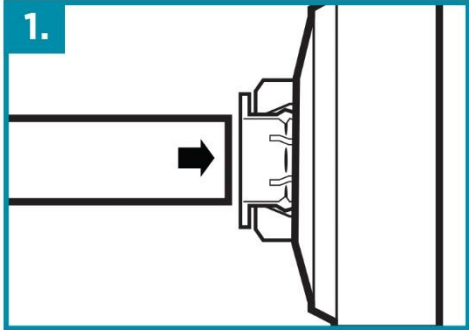
QUICK CONNECT GUIDE



On new filters, be sure to remove plugs from quick connect fittings before attaching tubing.

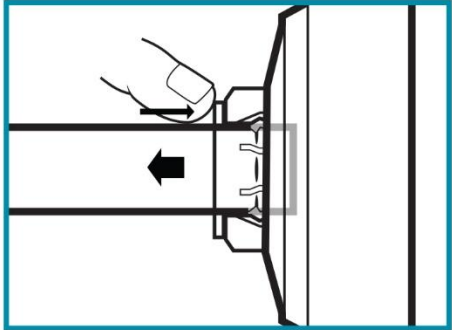
Push in the collet while simultaneously pulling out the plug.

TO ATTACH TUBING

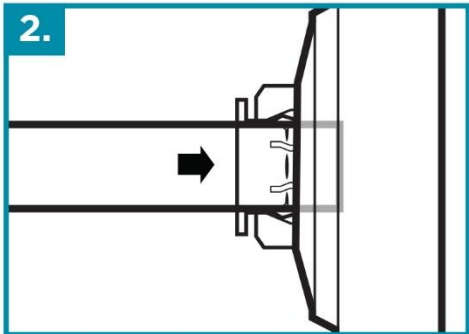


Push tubing straight in as far as it will go.

TO RELEASE TUBING

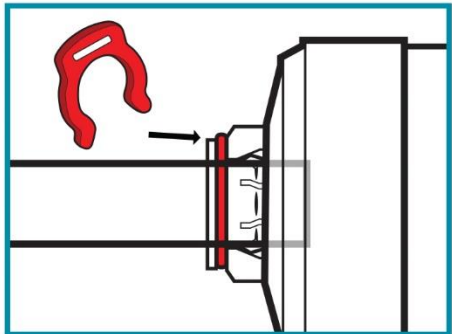


Push in collet while simultaneously pulling on tubing.



Tubing is secured in position.

TO INSERT LOCKING CLIP



Optional RED locking clip slides between collet and fitting.