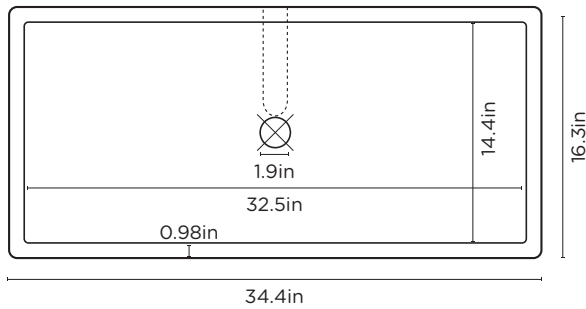




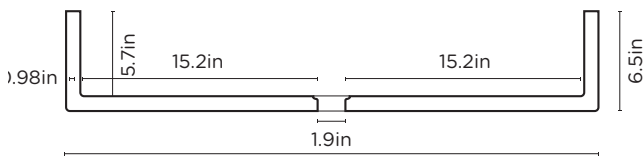
## Trough Basin

The high strength concrete sink is sculptural and silky smooth. Like many in the Nood Collection, this piece is nostalgic in its reference and contemporary in presentation.

### PLAN VIEW



### SECTION VIEW



### AVAILABLE COLOURS



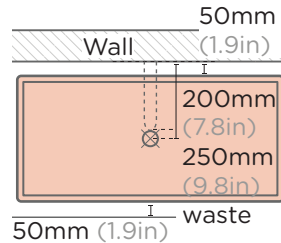
### SPECIFICATIONS

<b>MATERIAL</b>	UHP Concrete
<b>FINISH</b>	Matte / Low Sheen
<b>WEIGHT</b>	29.5kg (65lbs)
<b>DIMENSIONS</b>	L875mm x W415mm x H165mm (L34.44in x W16.33in x H6.49in)
<b>BOWL CAPACITY</b>	42L (11gal)
<b>TAP HOLE</b>	N/A
<b>OVERFLOW AVAILABLE</b>	N/A
<b>WASTE RQD</b>	32mm (1¼in) or 40mm (1½in) Standard (not provided by Nood)
<b>WARRANTY</b>	24 months
<b>WASTE HOLE SIZE</b>	50mm (1.96in)
<b>WALL THICKNESS</b>	25mm (0.9in)
<b>OPTIONS</b>	Surface Mount
<b>WALL HANG RQD</b>	N/A

All dimensions are estimate. We suggest waiting until receiving Nood basins before cutting holes in cabinetry items. Colours of concrete may vary slightly.

### SUGGESTED TAP / FAUCET POSITION & LENGTH

#### SURFACE MOUNTED BASIN



### INSTALL HEIGHT

