



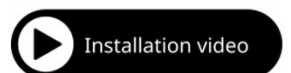
**MAJOR
FITNESS**



RAPTOR F16

Website: major-lutie.com

After-sales service: [after-sale @ major-lutie.com](mailto:after-sale@major-lutie.com)





SERVICE

For the **best service**, please have the following information ready when requesting for service:

- **Buyer Full Name**
- **Order Number**
- **Part Number**
- **Part Picture**
- **Model Number**
- **Phone Number**

If you have any questions, receive a damaged part or need additional service support, please contact our customer service department via the following methods:

Please Email:

after-sale@major-lutie.com

Response Time: 1-2 Business Days

Emailing us with the information above will be the best method to receive a response.

Toll-Free:

800-276-8577

(9:00 AM - 4:00 PM EST, Monday - Friday)

Visit Website:

Website: major-lutie.com



MAJOR FITNESS

GUIDEILNES

Before using this equipment, it is strongly recommended that you consult your physician whether this fitness equipment is applicable to you. Please do not use this machine if you have the following conditions or diseases:

- **Heart Disorders**
- **Recent Stroke or Transient Ischemic Attack**
- **Extreme Obesity**
- **Pregnancy**
- **Bone Weaknesses**
- **Spinal Injury**
- **High Blood Pressure or Hypertension**
- **Hiatus Hernia or Ventral Hernia**
- **In a State of Intoxication or Fatigue**
- **Other diseases that are NOT recommended by doctors for exercise**

This equipment is designed and intended for home and consumer use only, not for commercial use.



MAJOR FITNESS

Please read all instructions carefully before assembling or operating this product.

This workout equipment is designed and built for optimum safety. However, certain precautions apply whenever you operate this exercise equipment. Be sure to read the entire manual before assembling and operating this equipment. Also, note the following safety instructions:

1. Two people are recommended for the installation of this product instead of one.
2. If you feel dizzy, or other abnormal sensations at any time while operating this device, please stop using the product or exercise and contact your physician as soon as possible.
3. Make sure your equipment is correctly assembled before you use it. Be sure all the screws, nuts, and bolts are tightened prior to use.
4. If this equipment or parts are damaged, do not use it again to exercise.
5. Please do not eat within one hour before using the machine.
6. This product should be placed on a flat surface when using. A mat or other covering material on the ground is recommended.
7. Keep children and pets away from this equipment at all times.
8. It is recommended to wear tight training clothes, tie your hair up, preferably in a ponytail, and remove your jewelry when using this product to avoid unexpected hazards.
9. It is recommended that novice or teenagers should be accompanied by a trainer or parents to use our products, and children under 12 years old are not recommended to use this fitness equipment.
10. The users of this product should keep their weight within 220lb/100kg.



MAJOR FITNESS

PREPARATION

1. Tools for assembly:

General tools you may need for the assembling this strength equipment:

- **Electric screwdrivers**
- **Hexagon wrench sets**
- **Wrench sets and adjustable wrenches**
- **Rubber Hammer**
- **Lubricant**

2. Insert bolts into the frame as illustrated in the drawing of each of the steps.

3. **Hand-tighten the bolts and nuts during assembly.** Tighten all the hardware once the entire unit has been completely assembled.

4. With the proper assistance, the right tools, and strictly following the assembly steps, and given enough time.

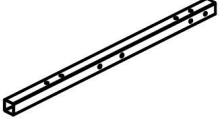
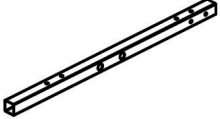
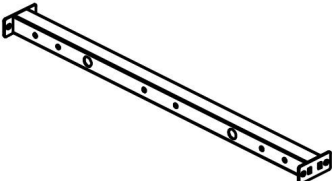


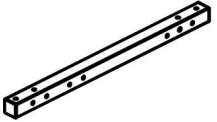
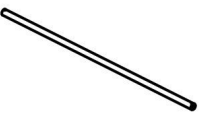

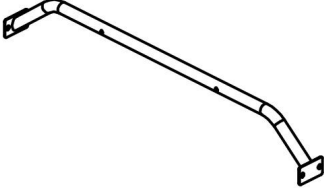
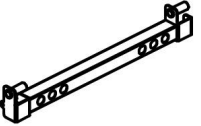
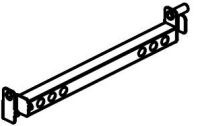
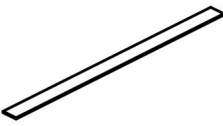
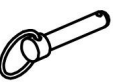


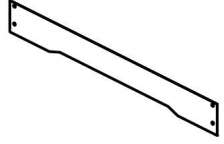

5. Thoroughly read each step before proceeding to assemble the parts of that step.

6. To help make it easier for you to assemble the device, we have noted the required hardware in the every steps.






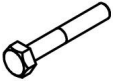
7. When the equipment is fully assembled check all the functions for correct operation. Consult the manual if you experience any issues, or for further help please contact our service department.

8. **Please regularly check if the screws are loose, and if they are, tighten them quickly.**

PARTS LIST



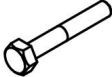
<p>1L BASE LEFT</p>  <p>1pc</p>	<p>1R BASE RIGHT</p>  <p>1pc</p>	<p>2 BEAR CROSS BASE</p>  <p>1pc</p>	<p>3 UPRIGHT</p>  <p>4pc</p>	
<p>4 BRACES</p>  <p>2pc</p>	<p>5 UPPER FRAME</p>  <p>2pc</p>	<p>6 UPPER CROSS FRAME</p>  <p>1pc</p>	<p>7 Handlebar</p>  <p>2pc</p>	
<p>8 PULL-UP FRAME</p>  <p>2pc</p>	<p>9L SAFETY BAR LEFT</p>  <p>1pc</p>	<p>9R SAFETY BAR RIGHT</p>  <p>1pc</p>	<p>9 SAFETY BAR Rubber</p>  <p>2pc</p>	
<p>10 PIN</p>  <p>2pc</p>	<p>11L J HOOK LEFT</p>  <p>1pc</p>	<p>11R J HOOK RIGHT</p>  <p>1pc</p>	<p>12 LOGO</p>  <p>1pc</p>	<p>13 Rubber sleeve</p>  <p>4pc</p>

HARDWARE LIST

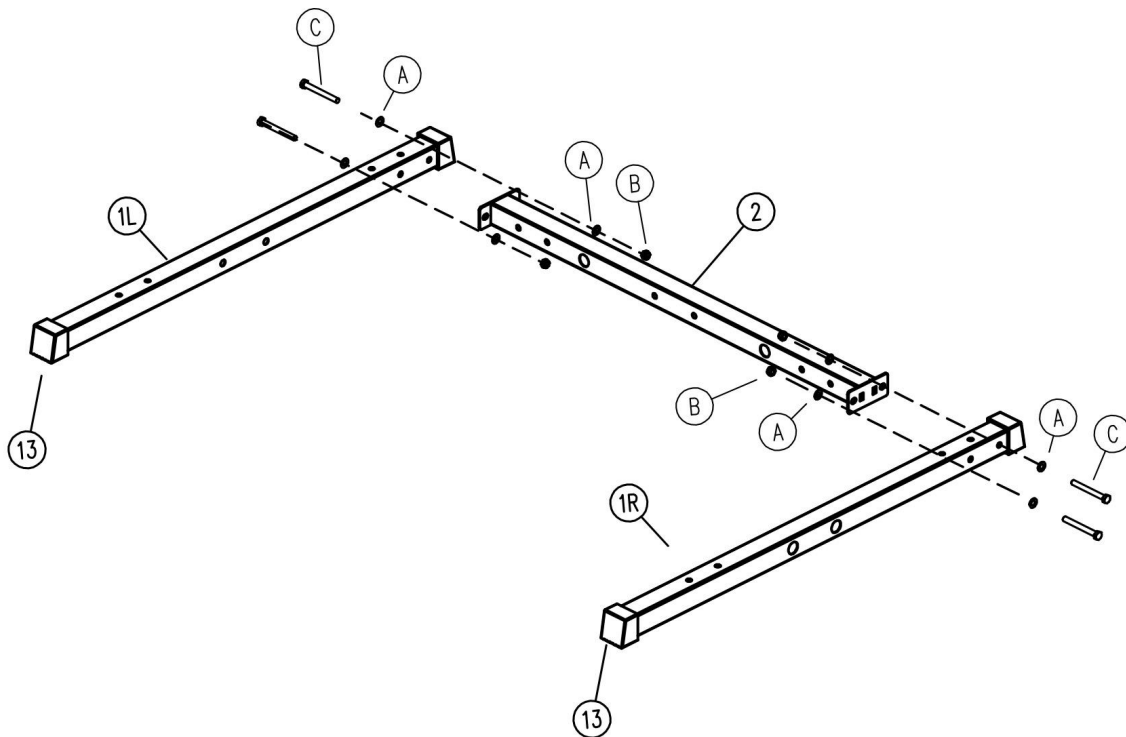
<p>A GASKET Ø10</p>  <p>72pc</p>	<p>B NUT M10</p>  <p>36pc</p>	<p>C BOLT M10x70</p>  <p>36pc</p>	<p>D GASKET Ø8</p>  <p>8pc</p>	<p>E NUT M8</p>  <p>4pc</p>
<p>F BOLT M8x70</p>  <p>4pc</p>	<p>G</p>	<p>H</p>		

STEP1.

Do not tighten all bolts until all installations are complete.



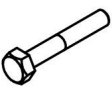
A GASKET Ø10  8pc	B NUT M10  4pc	C BOLT M10x70  4pc
--	---	---

NOTE: Except for pre-installing the hardware you need

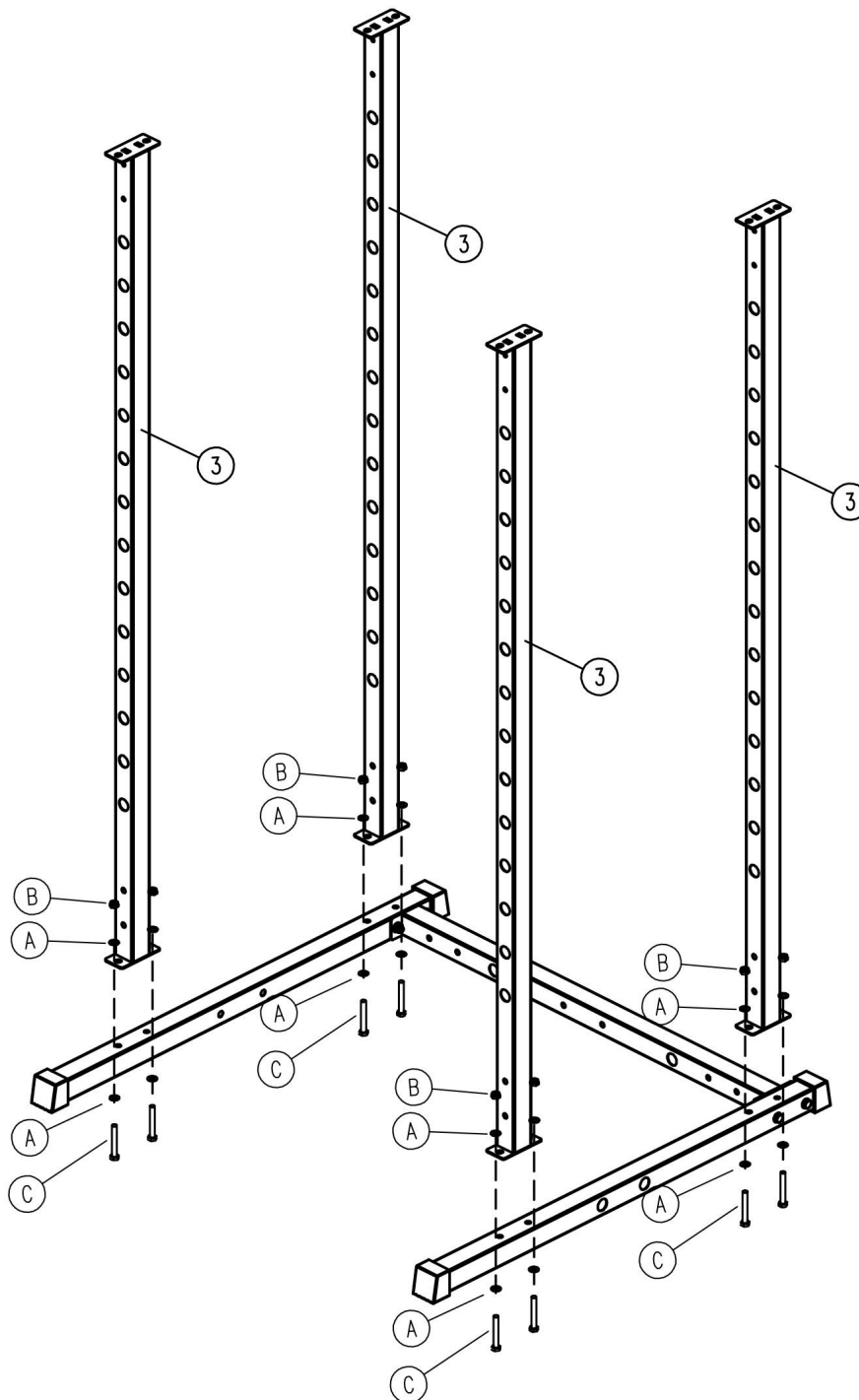


STEP2.

Do not tighten all bolts until all installations are complete.



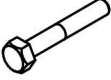
A GASKET Ø10  16pc	B NUT M10  8pc	C BOLT M10x70  8pc
---	---	---

NOTE: Except for pre-installing the hardware you need

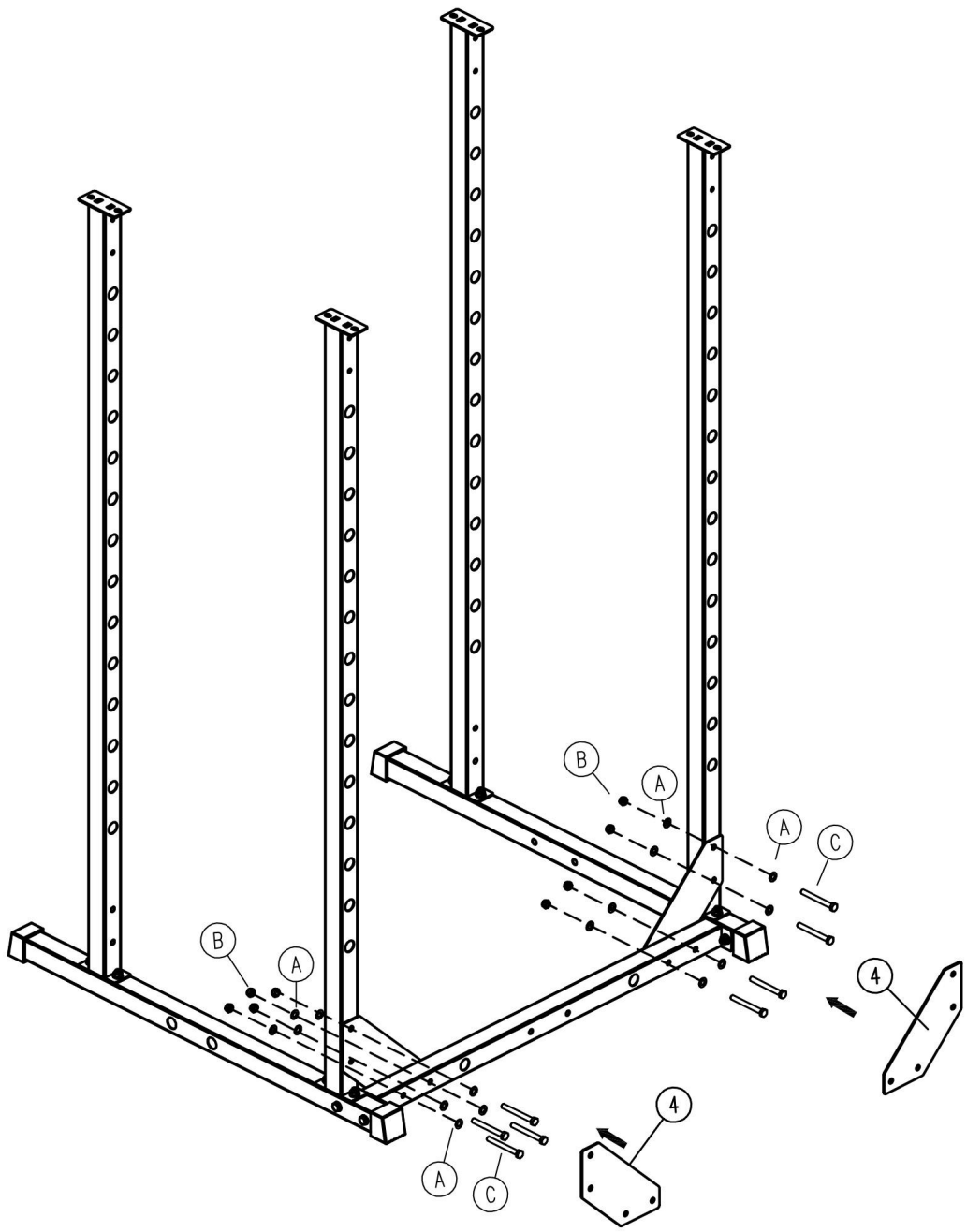


STEP3

Do not tighten all bolts until all installations are complete.



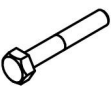
A GASKET Ø10  16pc	B NUT M10  8pc	C BOLT M10x70  8pc
---	---	---

NOTE: Except for pre-installing the hardware you need

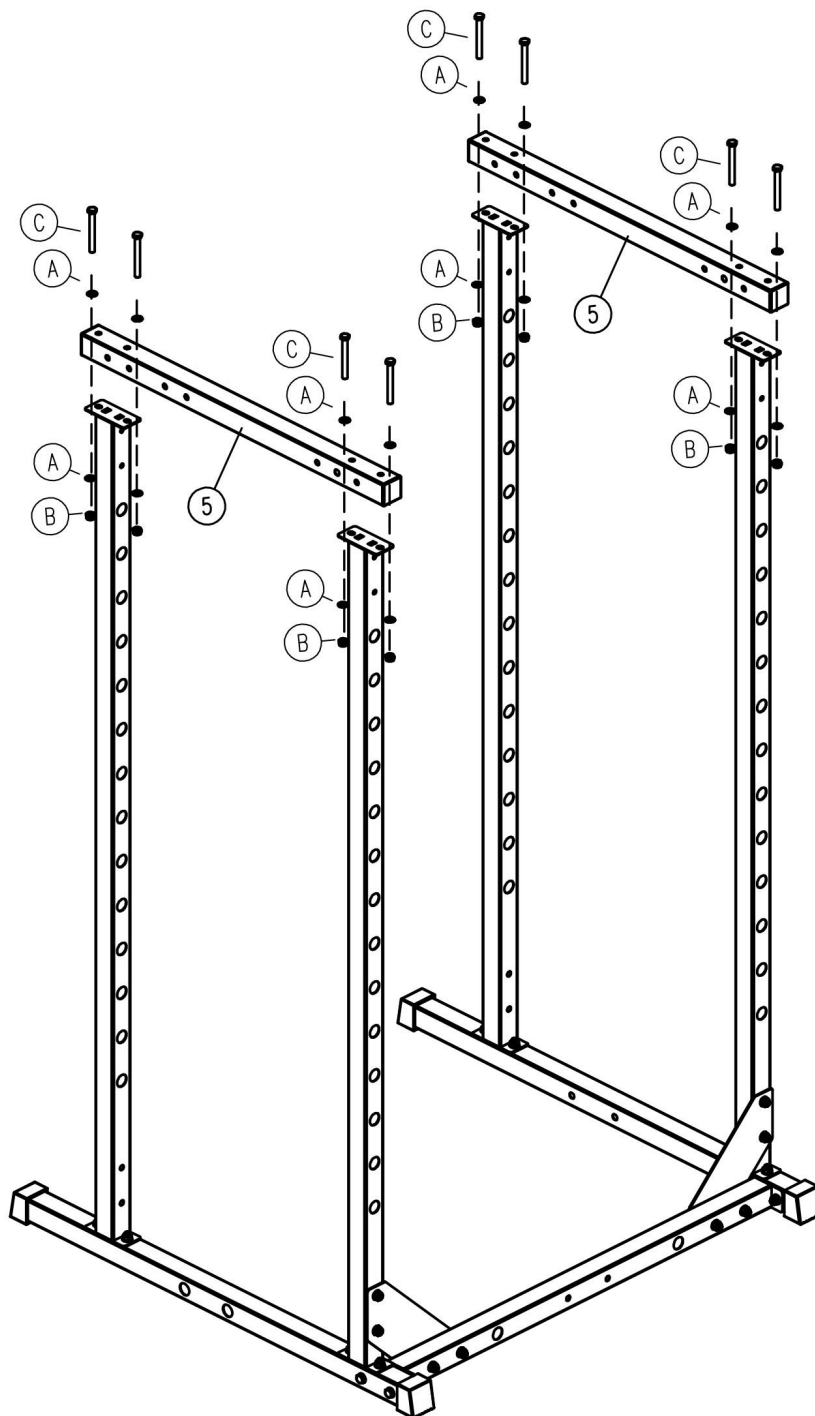


STEP4.

Do not tighten all bolts until all installations are complete.

A GASKET Ø10  16pc	B NUT M10  8pc	C BOLT M10x70  8pc
---	---	---

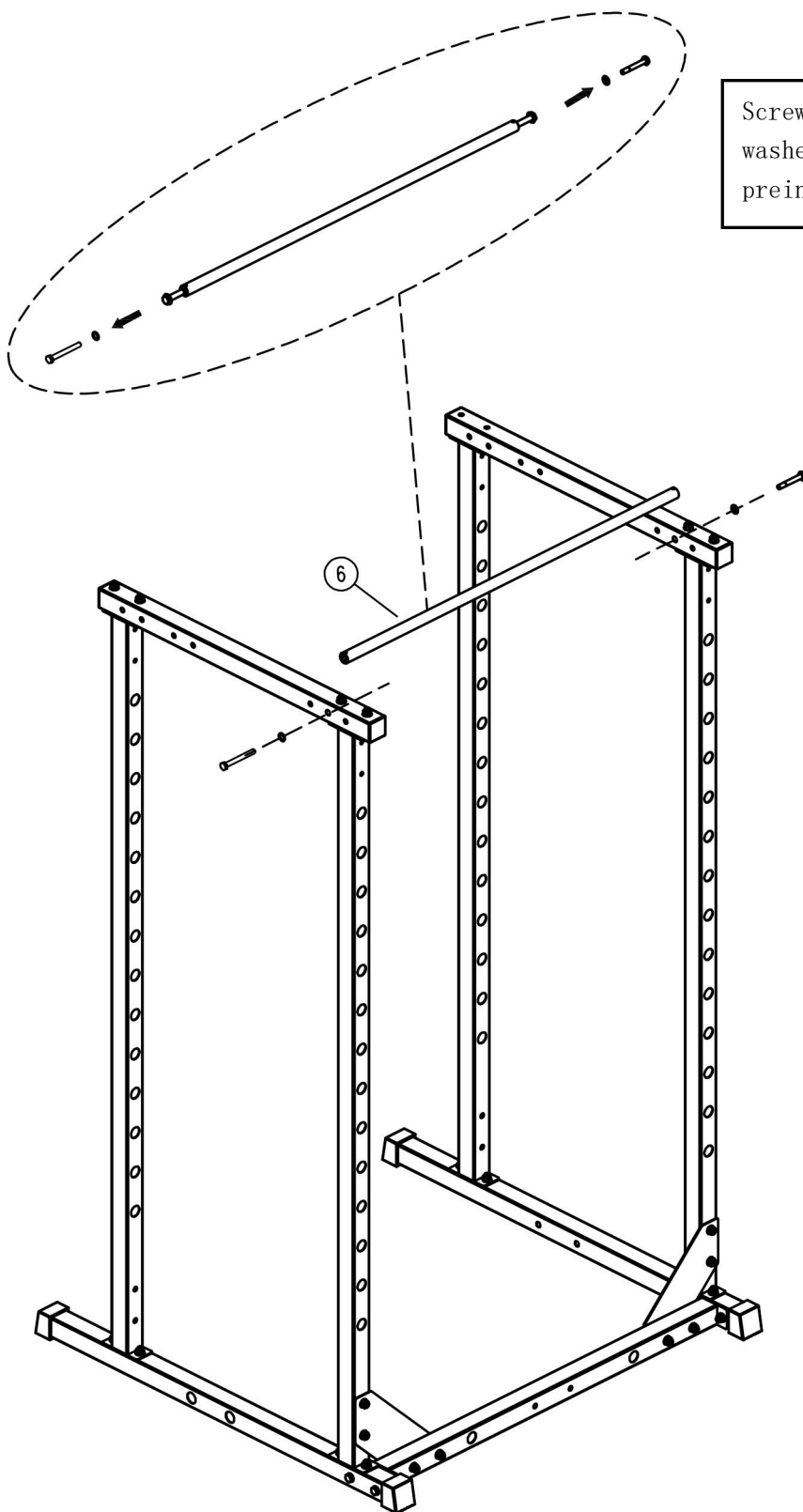
NOTE:Except for pre-installing the hardware you need



STEP5.



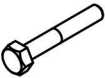
Do not tighten all bolts until all installations are complete.

Screws and flat washers are preinstalled

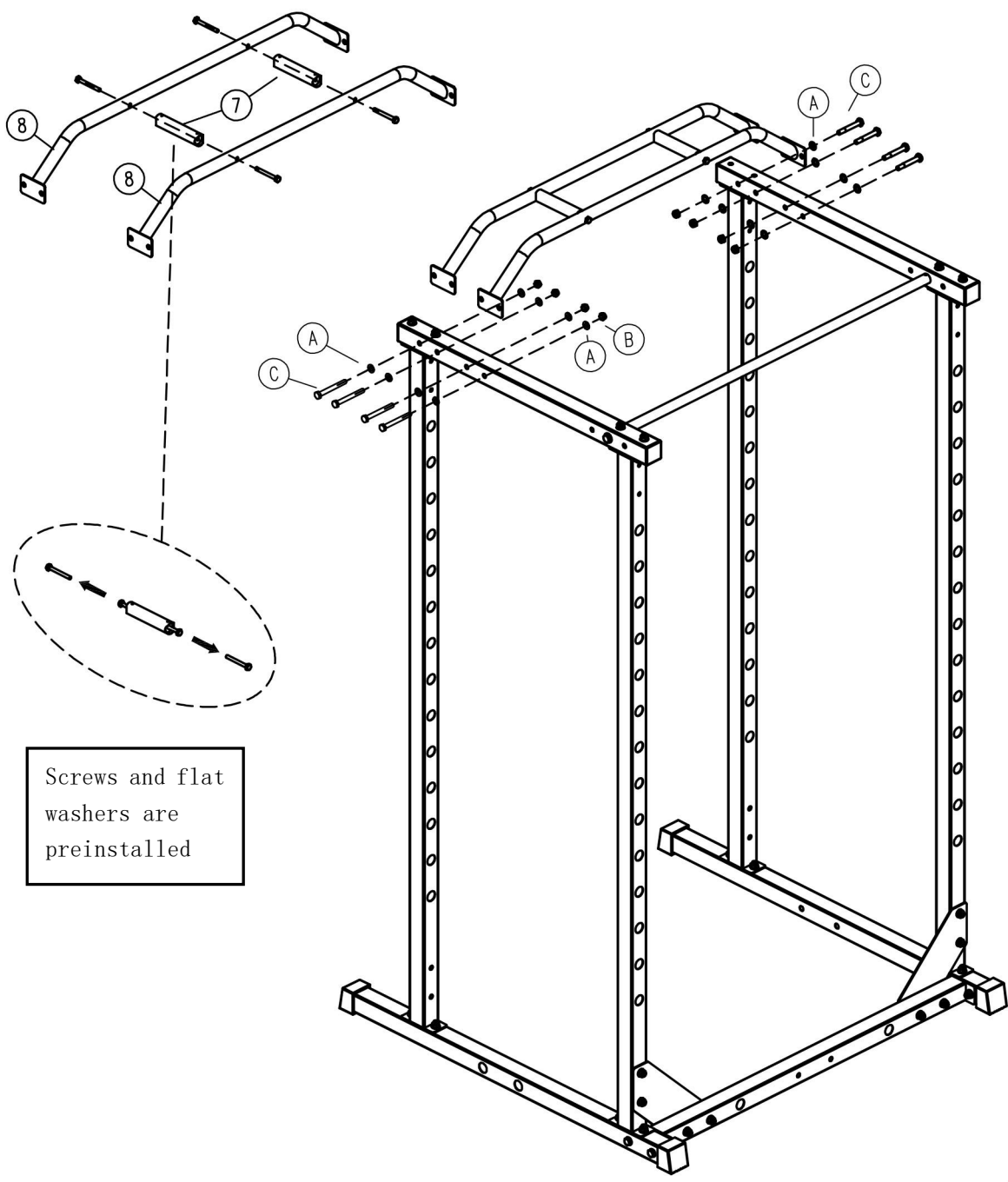


STEP6.

Do not tighten all bolts until all installations are complete.

A GASKET Ø10  16pc	B NUT M10  8pc	C BOLT M10x70  8pc
---	---	---



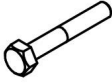
NOTE: Except for pre-installing the hardware you need



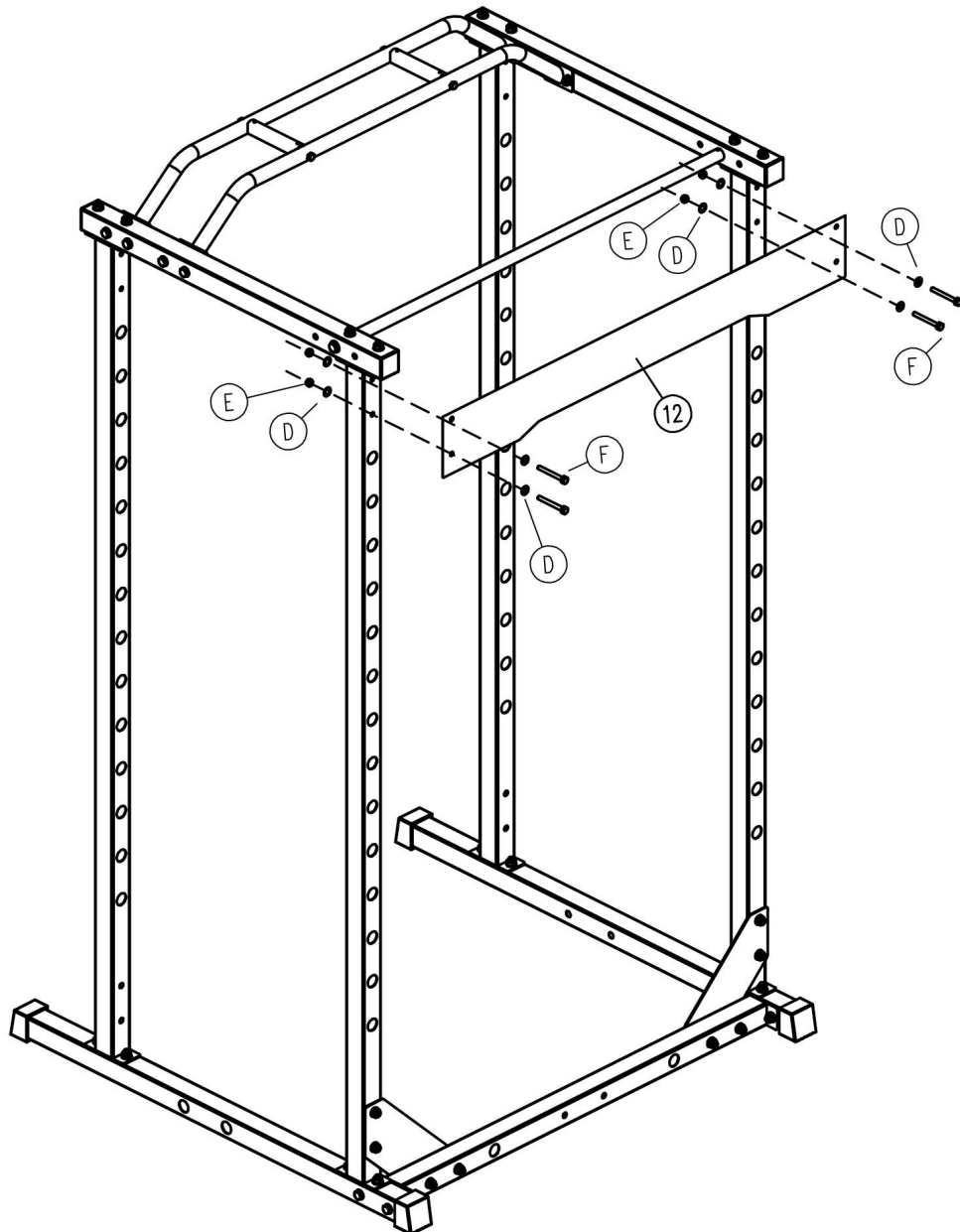
Screws and flat washers are preinstalled

STEP 7.

Do not tighten all bolts until all installations are complete.

D GASKET Ø8  8pc	E NUT M8  4pc	F BOLT M8x70  4pc
---	--	--

NOTE: Except for pre-installing the hardware you need



STEP8.

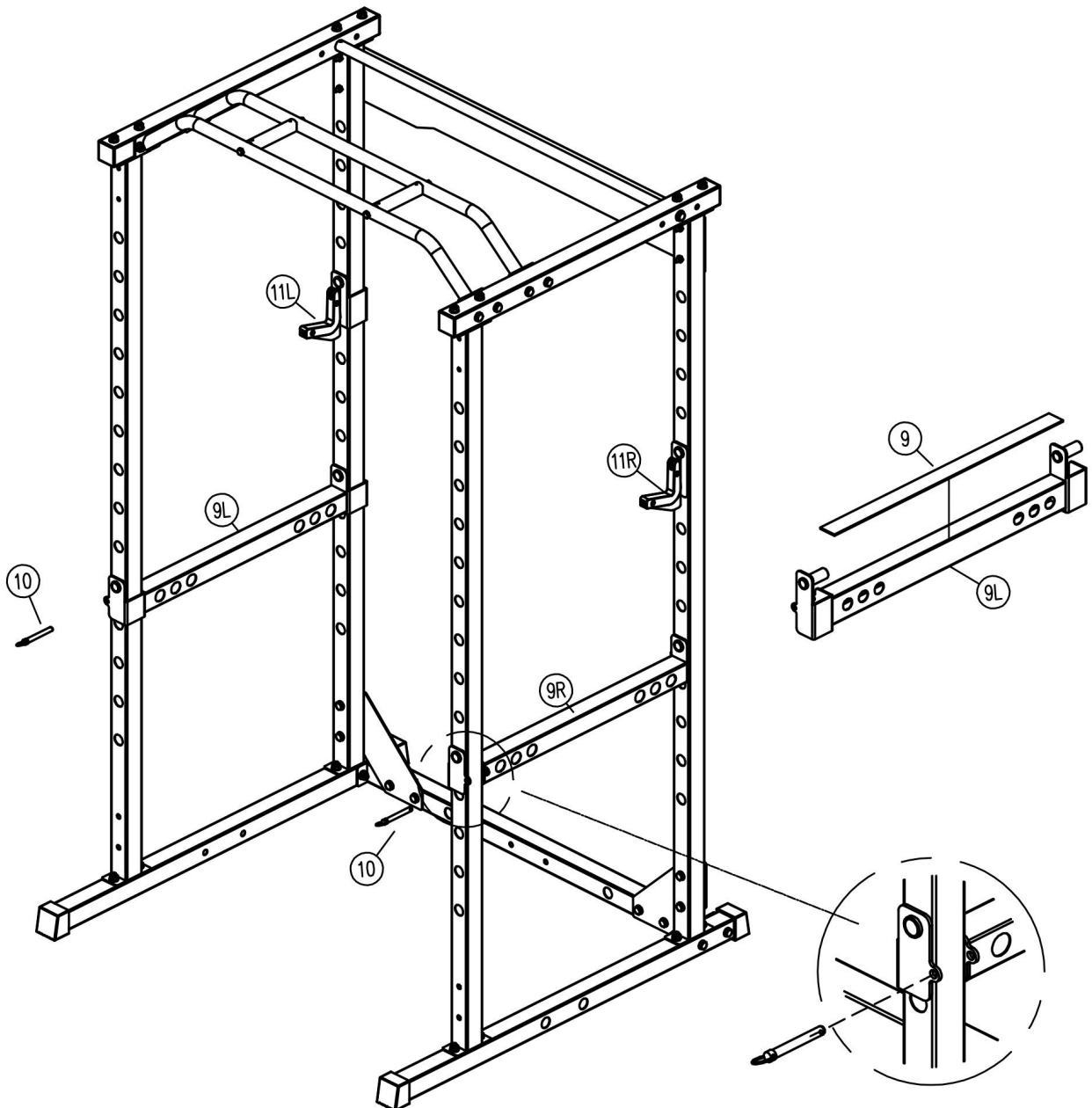
Do not tighten all bolts until all installations are complete.

10 PIN



2pc

NOTE:Except for pre-installing the hardware you need



WEBSITE:
MAJOR-LUTIE.COM

EMAIL:
AFTER-SALE@MAJOR-LUTIE.COM